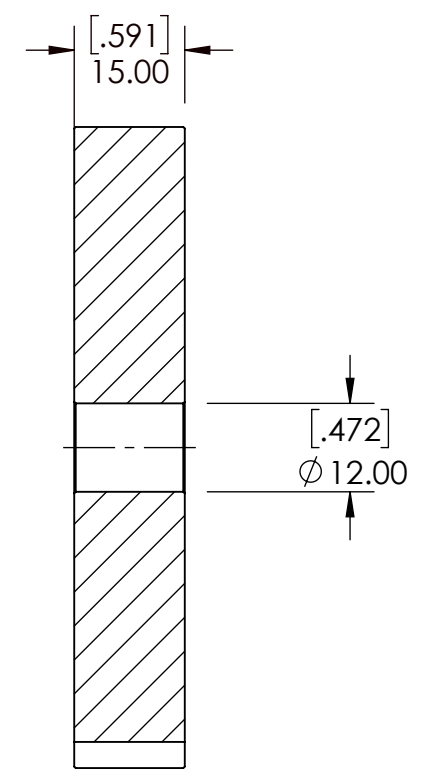
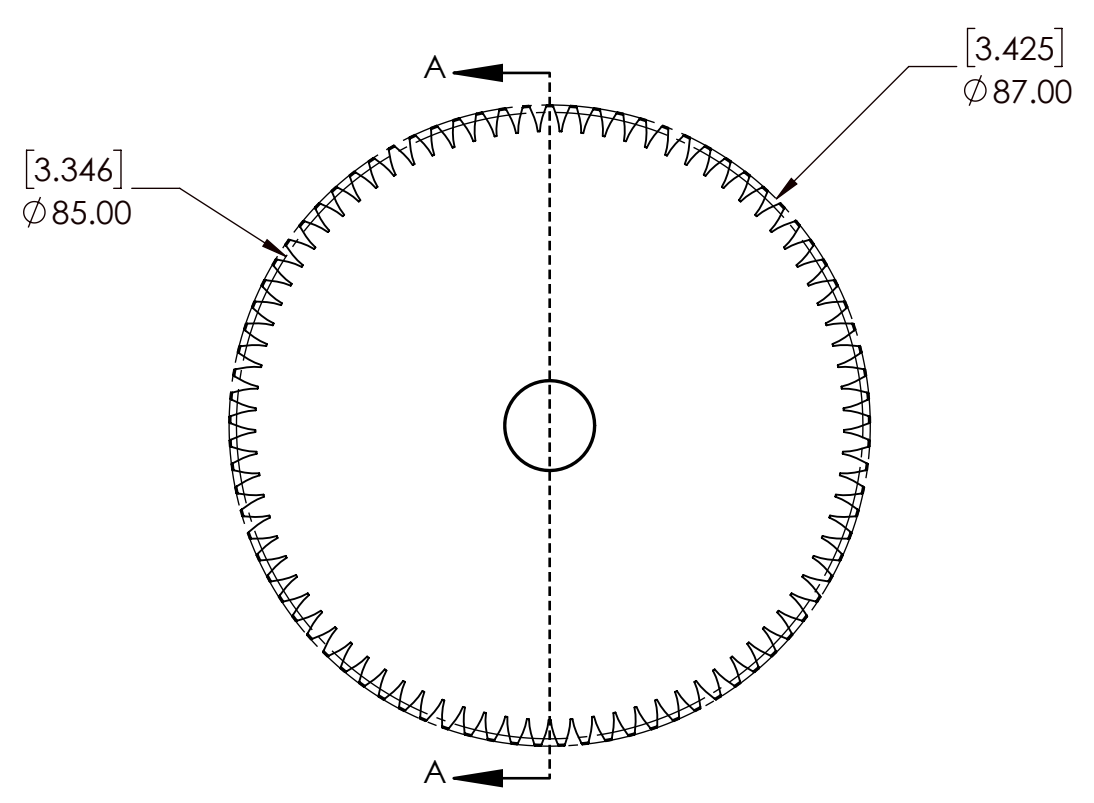
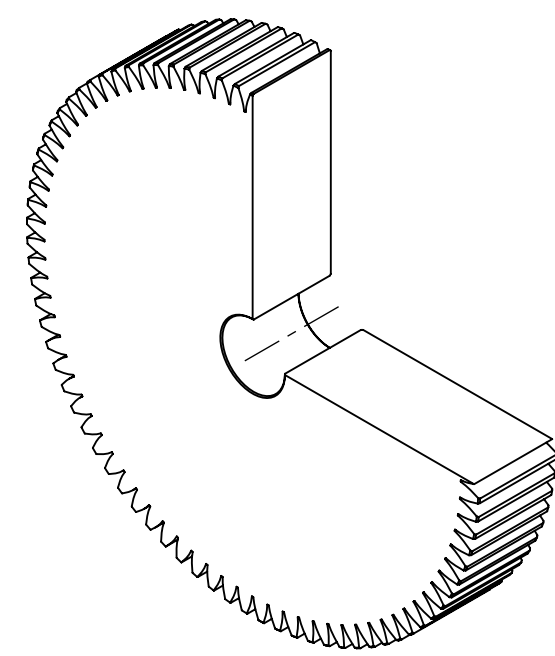


9 8 7 6 5 4 3 2 1

G
F
E
D
C
B
A

G
F
E
D
C
B
A



SECTION A-A

SPUR GEAR SPECIFICATIONS		WEIGHT		1.42 LBS		
UNITS	mm (INCH)	MATERIAL		STEEL		
MODULE	1	COATING		N/A		
PRESSURE ANGLE	20°	DRAWN	SEC	08/28/2025		
NUMBER OF TEETH	85	CHECKED	SEC	08/28/2025		
PITCH DIAMETER	85mm	APPROVED				
HUB TYPE	A	THIRD ANGLE PROJECTION		DATE	BY	
MAX TORQUE (Nm)	22.3 Nm			REVISION DESCRIPTION		
TOOTH TYPE	STRAIGHT			ITEM DESCRIPTION:		REV
MAX RIM SPEED	12 M/S			M1A85		SCALE
		DWG. NO.		1:1		
				REV -		
		<small>PROPRIETARY AND CONFIDENTIAL THE INFORMATION CONTAINED IN THIS DRAWING IS THE SOLE PROPERTY OF SOLVE IMG. ANY REPRODUCTION IN PART OR AS A WHOLE WITHOUT THE WRITTEN PERMISSION OF SOLVE IMG IS PROHIBITED.</small>				

9 8 7 6 5 4 3 2 1