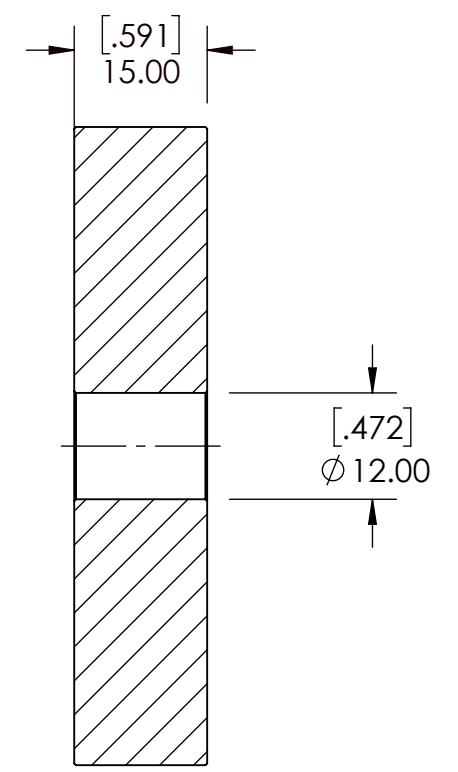
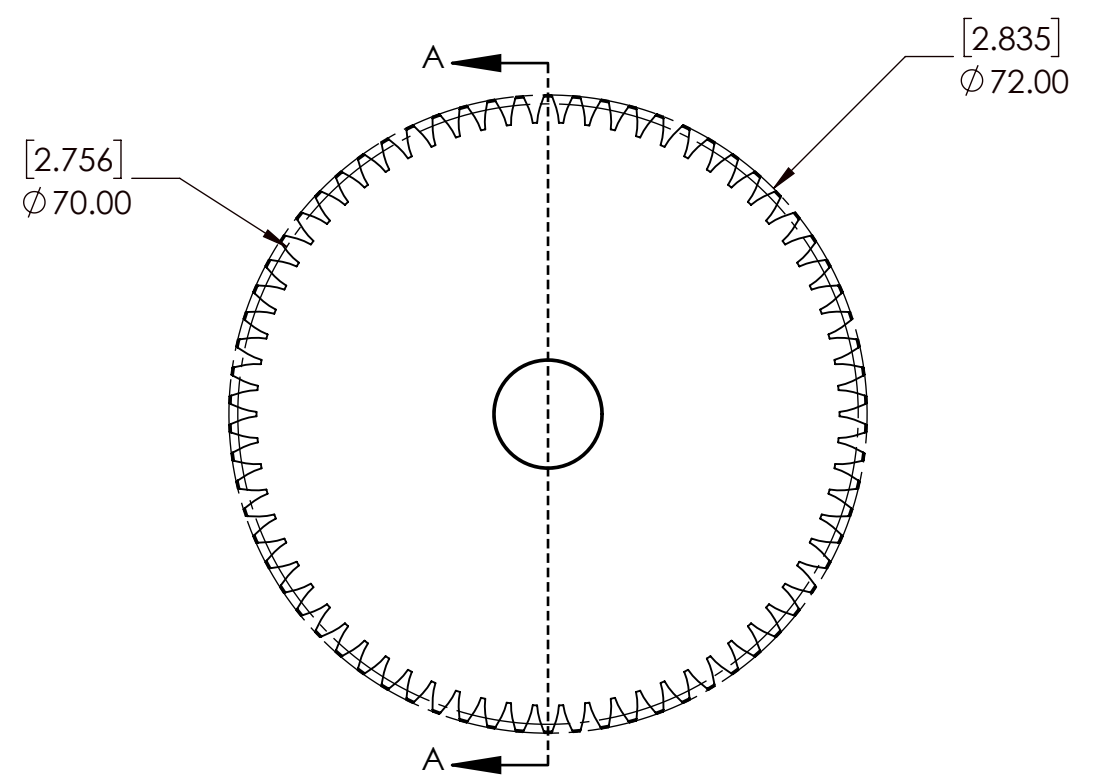
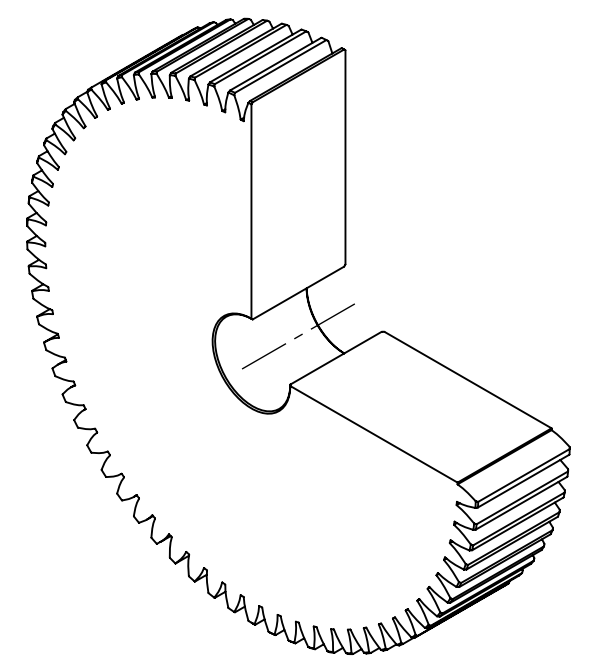


9 8 7 6 5 4 3 2 1

G
F
E
D
C
B
A

G
F
E
D
C
B
A



SECTION A-A

SPUR GEAR SPECIFICATIONS		WEIGHT		0.95 LBS						
UNITS	mm (INCH)	SOLVE INDUSTRIAL MOTION GROUP		MATERIAL	STEEL					
MODULE	1			COATING	N/A					
PRESSURE ANGLE	20°	SIZE	PTI	DRAWN	SEC	08/28/2025				
NUMBER OF TEETH	70			CHECKED	SEC	08/28/2025				
PITCH DIAMETER	70mm	DWG. NO.		APPROVED			DATE	BY	REVISION DESCRIPTION	REV
HUB TYPE	A			THIRD ANGLE PROJECTION						ITEM DESCRIPTION:
MAX TORQUE (Nm)	16.65 Nm			PROPRIETARY AND CONFIDENTIAL THE INFORMATION CONTAINED IN THIS DRAWING IS THE SOLE PROPERTY OF SOLVE IMG. ANY REPRODUCTION IN PART OR AS A WHOLE WITHOUT THE WRITTEN PERMISSION OF SOLVE IMG IS PROHIBITED.				M1A70		1:1
TOOTH TYPE	STRAIGHT									
MAX RIM SPEED	12 M/S									-

9 8 7 6 5 4 3 2 1