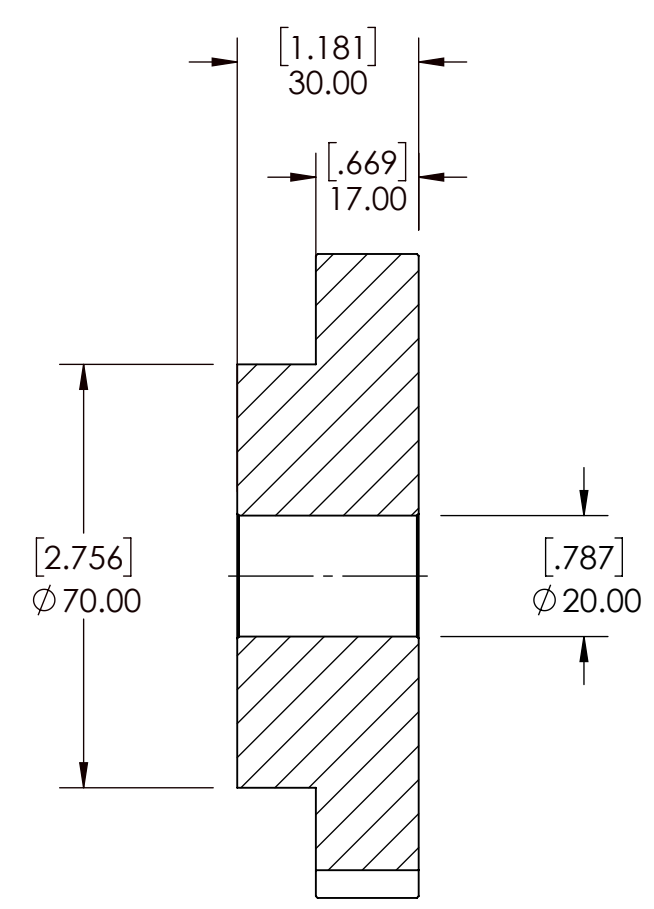
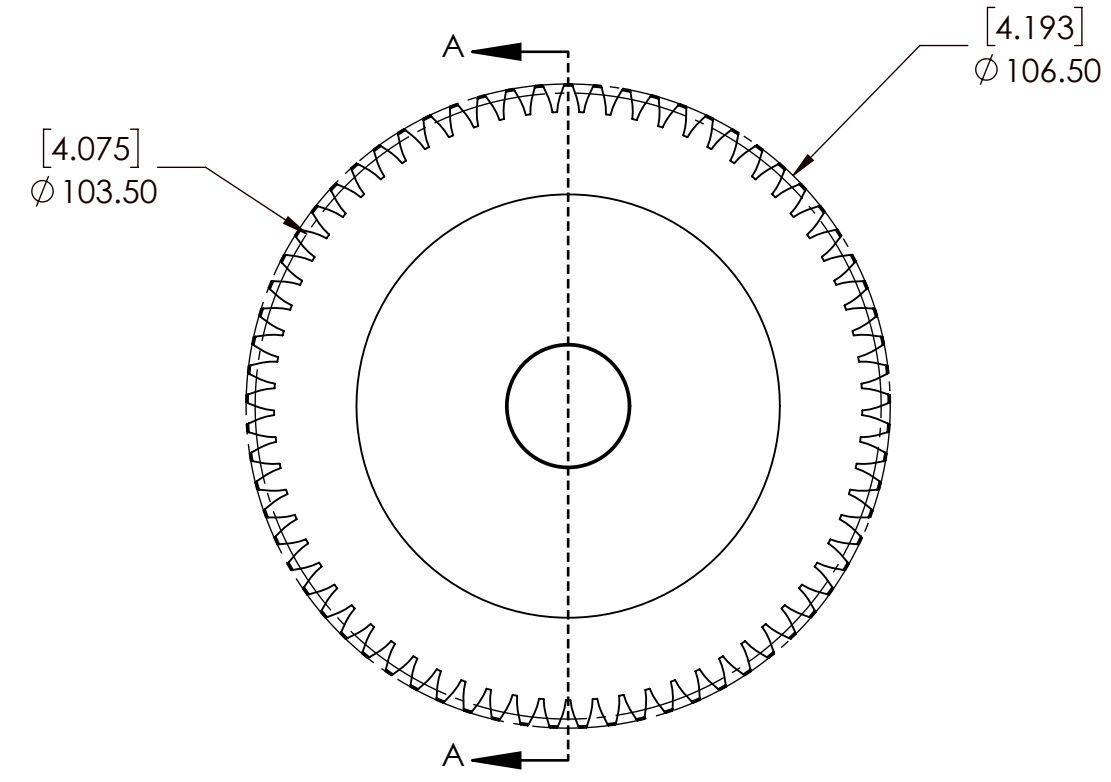
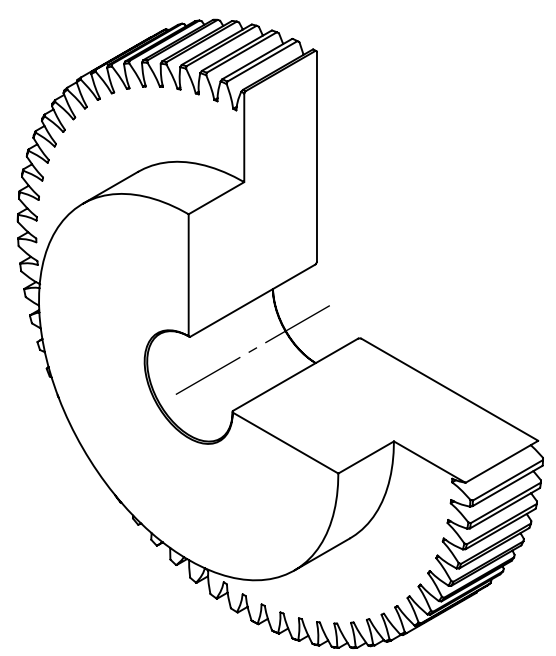


9 8 7 6 5 4 3 2 1

G F E D C B A



SECTION A-A

SPUR GEAR SPECIFICATIONS		WEIGHT		DATE		BY		REVISION DESCRIPTION		REV	
UNITS	mm (INCH)	3.12 LBS									
MODULE	1.5	MATERIAL	STEEL								
PRESSURE ANGLE	20°	COATING	N/A								
NUMBER OF TEETH	69	DRAWN	SEC 08/29/2025								
PITCH DIAMETER	103.5mm	CHECKED	SEC 08/29/2025								
HUB TYPE	B	APPROVED									
MAX TORQUE (Nm)	52.57 Nm	THIRD ANGLE PROJECTION		ITEM DESCRIPTION:							SCALE
TOOTH TYPE	STRAIGHT	PROPRIETARY AND CONFIDENTIAL		M1.5B69							1:1
MAX RIM SPEED	12 M/S	THE INFORMATION CONTAINED IN THIS DRAWING IS THE SOLE PROPERTY OF SOLVE IMG. ANY REPRODUCTION IN PART OR AS A WHOLE WITHOUT THE WRITTEN PERMISSION OF SOLVE IMG IS PROHIBITED.									REV
		DWG. NO.									-

A B C D E F G

9 8 7 6 5 4 3 2 1