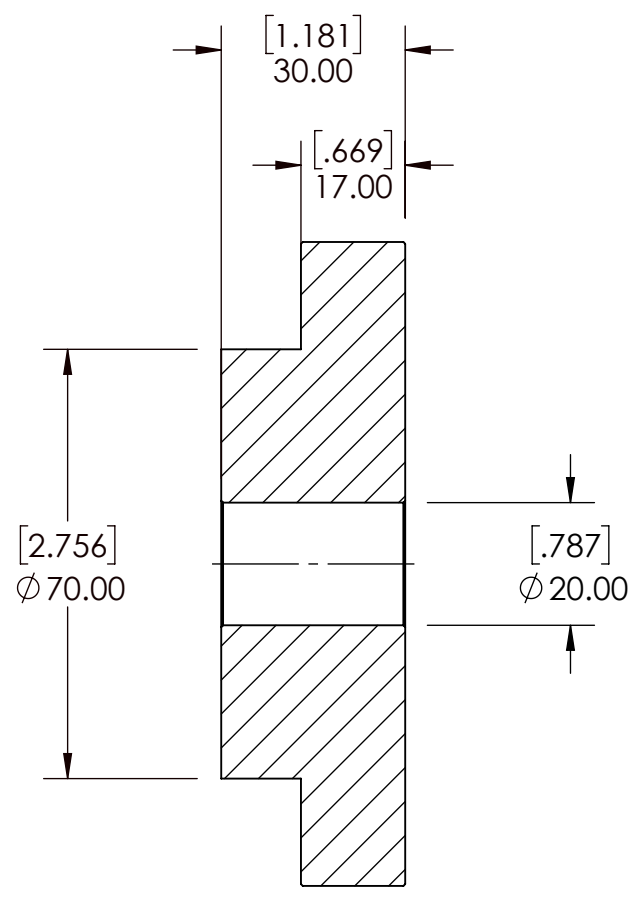
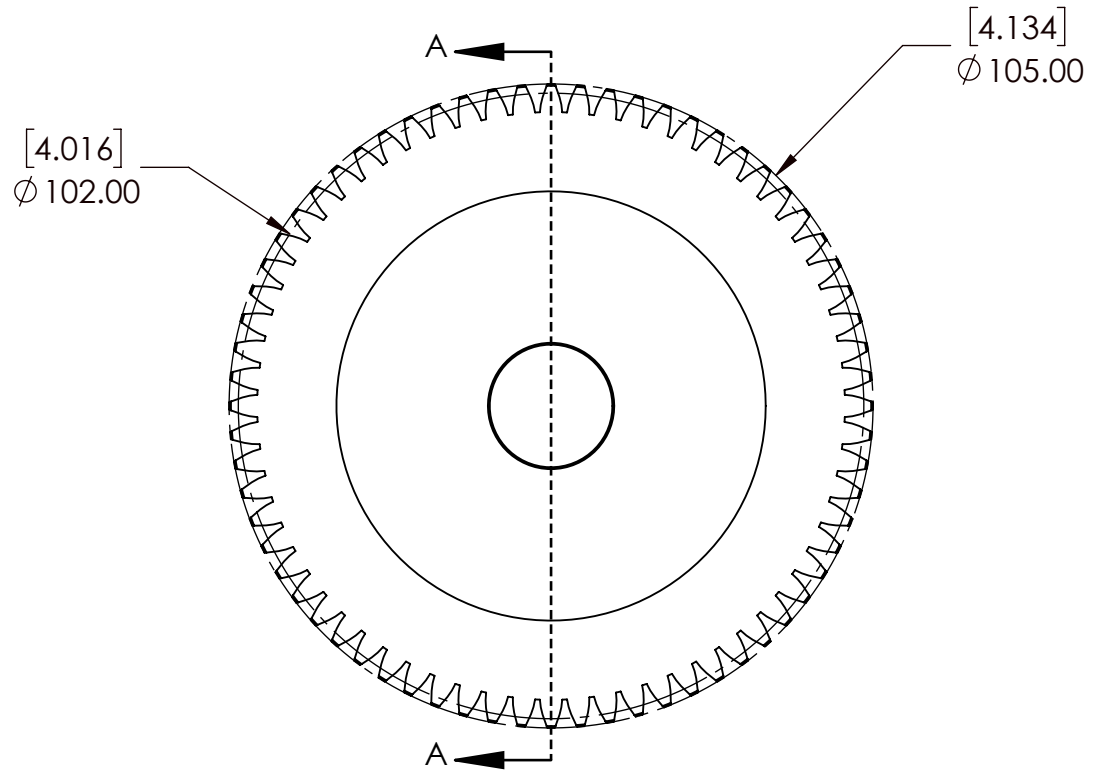
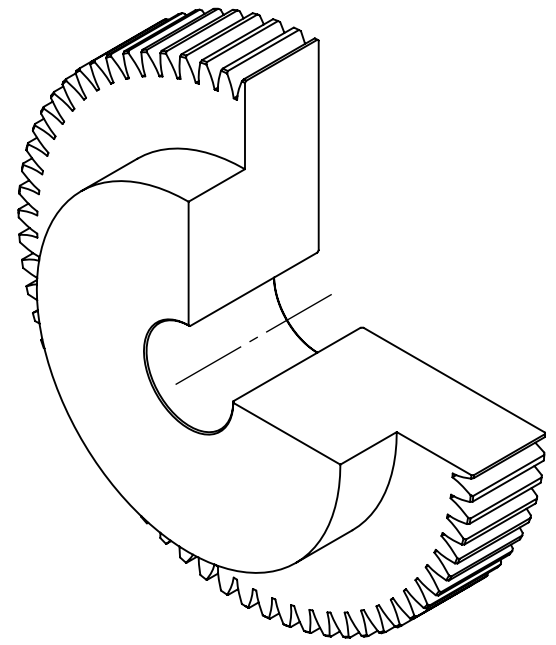


9 8 7 6 5 4 3 2 1

G F E D C B A



SECTION A-A

SPUR GEAR SPECIFICATIONS		WEIGHT		DATE		BY		REVISION DESCRIPTION		REV
UNITS	mm (INCH)	3.05 LBS								
MODULE	1.5	STEEL								
PRESSURE ANGLE	20°	N/A								
NUMBER OF TEETH	68	DRAWN	SEC	08/29/2025						
PITCH DIAMETER	102mm	CHECKED	SEC	08/29/2025						
HUB TYPE	B	APPROVED								
MAX TORQUE (Nm)	51.37 Nm			ITEM DESCRIPTION: M1.5B68						SCALE
TOOTH TYPE	STRAIGHT									1:1
MAX RIM SPEED	12 M/S	DWG. NO.		<small>PROPRIETARY AND CONFIDENTIAL</small> <small>THE INFORMATION CONTAINED IN THIS DRAWING IS THE SOLE PROPERTY OF SOLVE IMG. ANY REPRODUCTION IN PART OR AS A WHOLE WITHOUT THE WRITTEN PERMISSION OF SOLVE IMG IS PROHIBITED.</small>						REV
										-

A B C D E F G

9 8 7 6 5 4 3 2 1