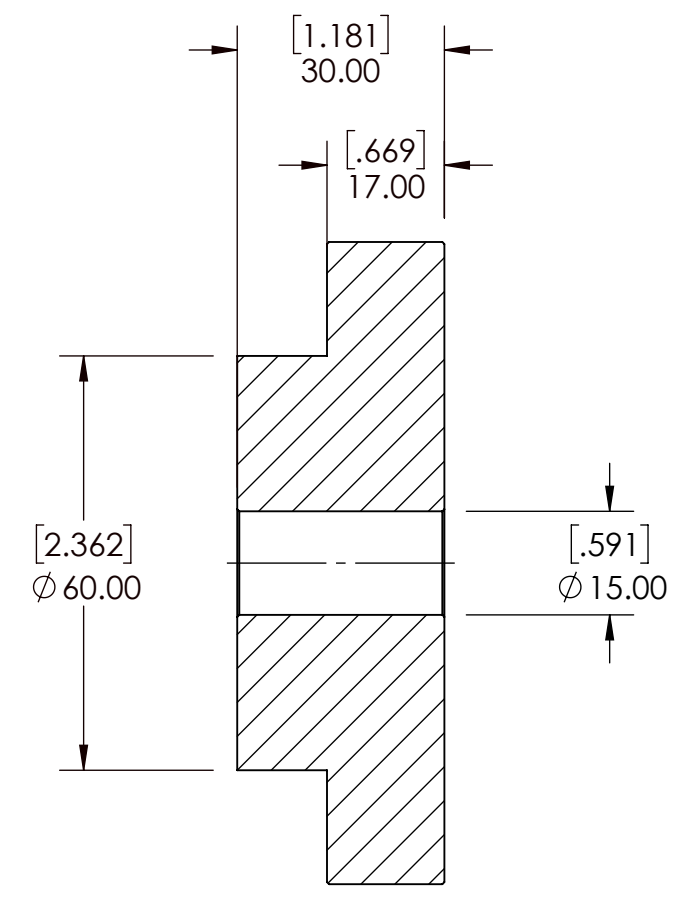
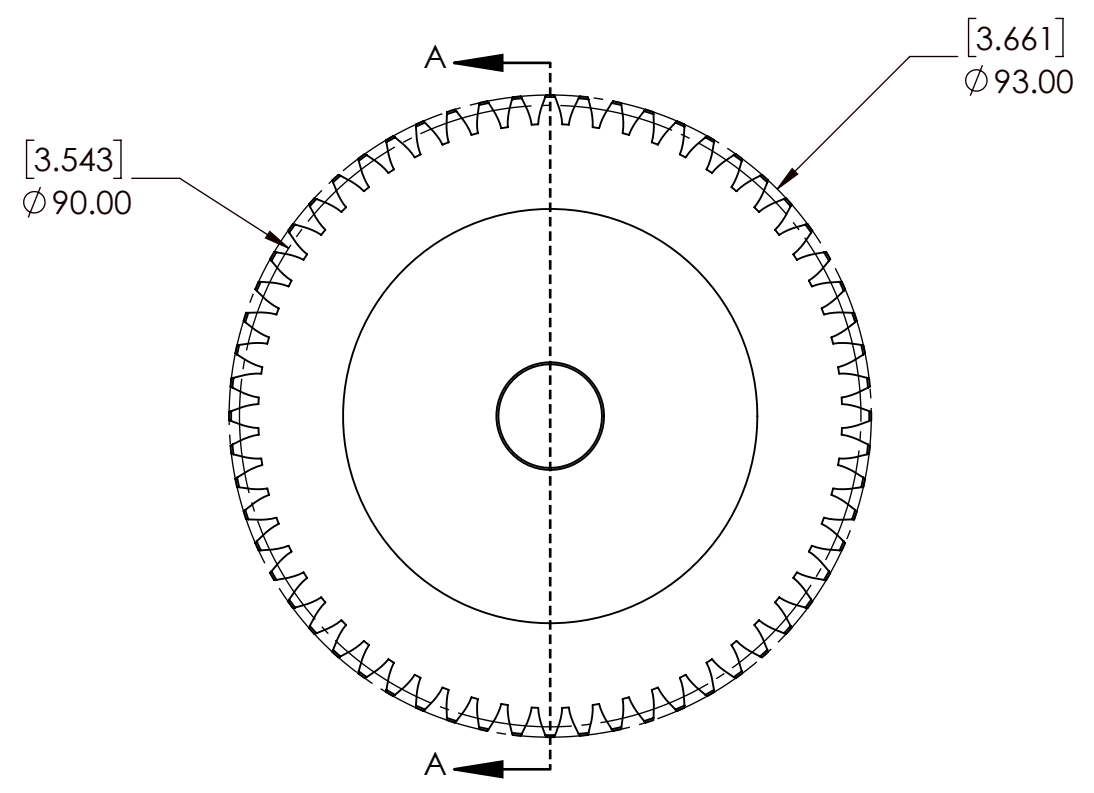
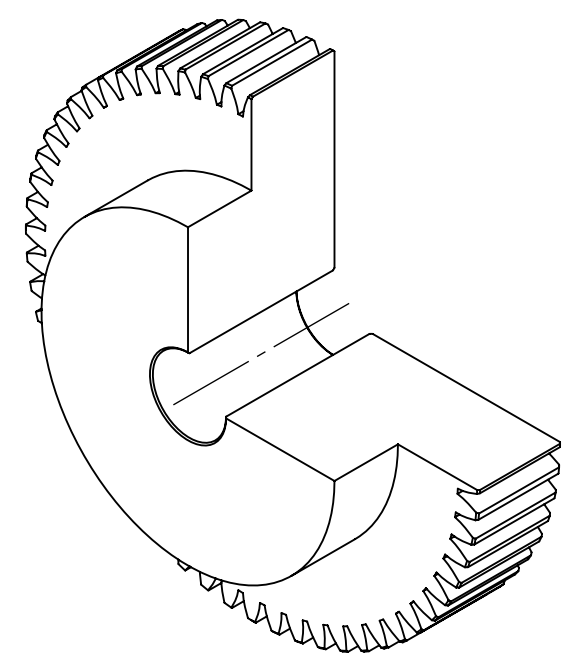


9 8 7 6 5 4 3 2 1

G
F
E
D
C
B
A

G
F
E
D
C
B
A



SECTION A-A

SPUR GEAR SPECIFICATIONS		WEIGHT		DATE		BY		REVISION DESCRIPTION		REV
UNITS	mm (INCH)	2.38 LBS								
MODULE	1.5	MATERIAL	STEEL							
PRESSURE ANGLE	20°	COATING	N/A							
NUMBER OF TEETH	60	DRAWN	SEC	08/29/2025						
PITCH DIAMETER	90mm	CHECKED	SEC	08/29/2025						
HUB TYPE	B	APPROVED								
MAX TORQUE (Nm)	36.96 Nm	THIRD ANGLE PROJECTION								
TOOTH TYPE	STRAIGHT	DWG. NO.		ITEM DESCRIPTION:						
MAX RIM SPEED	12 M/S	M1.5B60								
<p>PROPRIETARY AND CONFIDENTIAL</p> <p>THE INFORMATION CONTAINED IN THIS DRAWING IS THE SOLE PROPERTY OF SOLVE IMG. ANY REPRODUCTION IN PART OR AS A WHOLE WITHOUT THE WRITTEN PERMISSION OF SOLVE IMG IS PROHIBITED.</p>										

9 8 7 6 5 4 3 2 1

A

A