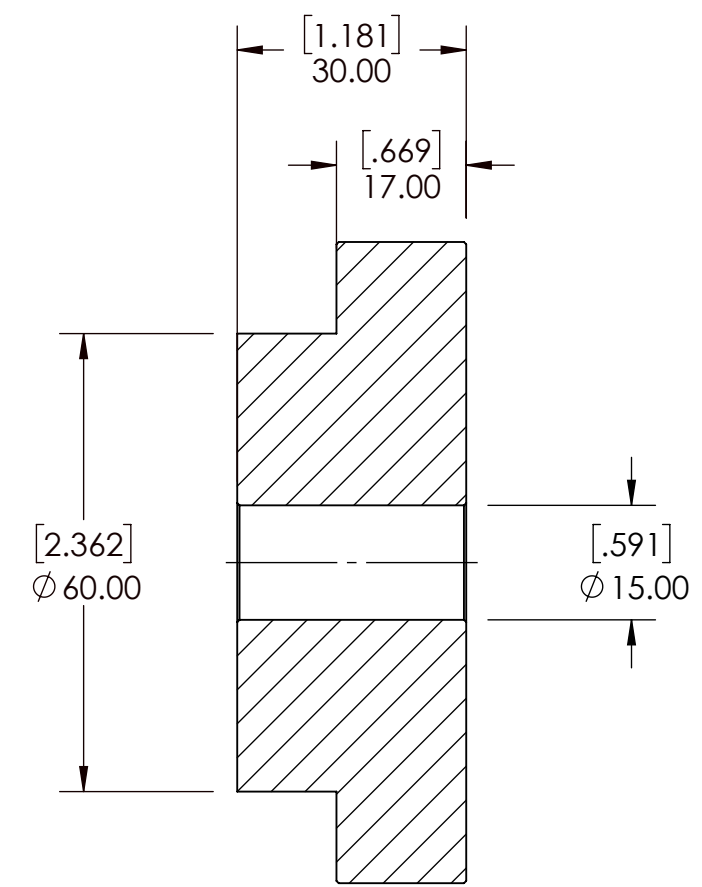
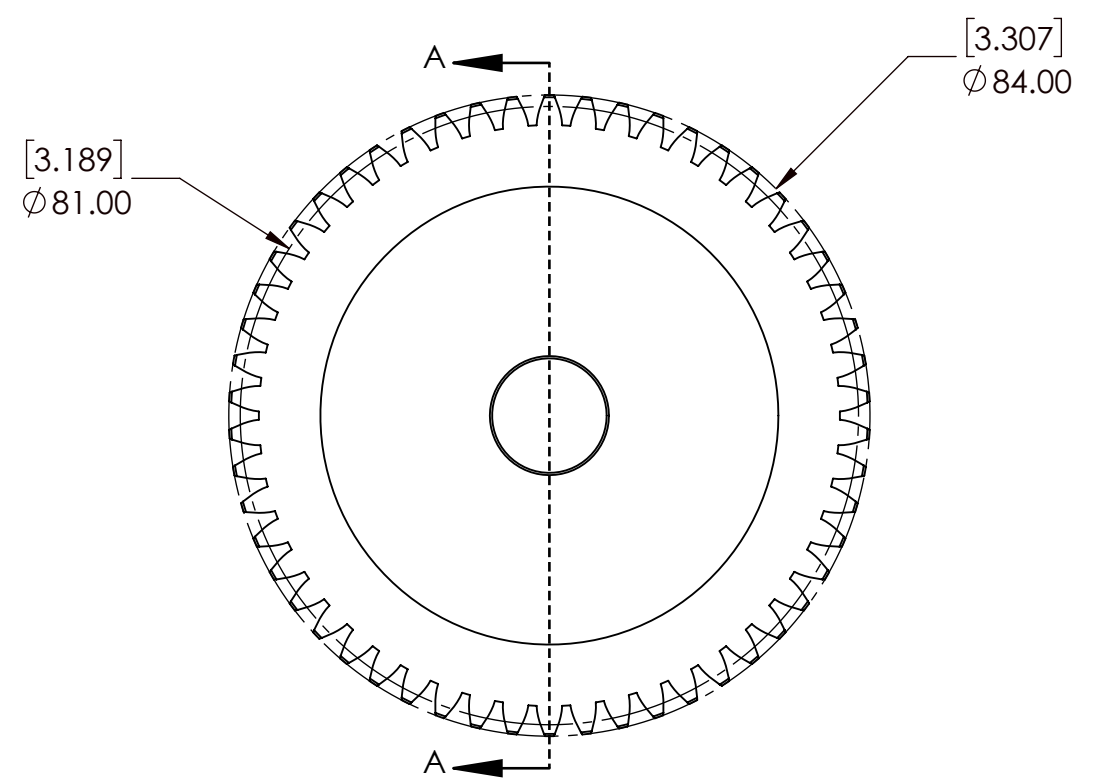
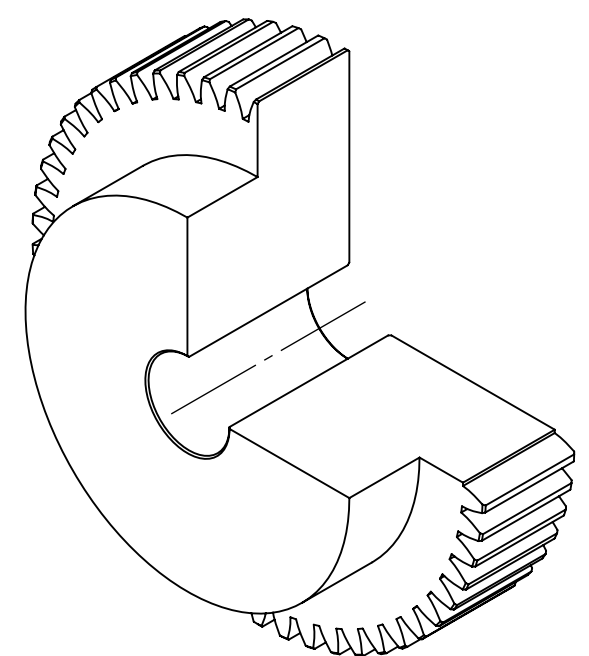


9 8 7 6 5 4 3 2 1

G F E D C B A



SECTION A-A

SPUR GEAR SPECIFICATIONS		WEIGHT		DATE		BY		REVISION DESCRIPTION		REV
UNITS	mm (INCH)	2.03 LBS								
MODULE	1.5	MATERIAL	STEEL							
PRESSURE ANGLE	20°	COATING	N/A							
NUMBER OF TEETH	54	DRAWN	SEC 08/29/2025							
PITCH DIAMETER	81mm	CHECKED	SEC 08/29/2025							
HUB TYPE	B	APPROVED								
MAX TORQUE (Nm)	28.82 Nm	THIRD ANGLE PROJECTION		ITEM DESCRIPTION:		M1.5B54		SCALE	1:1	
TOOTH TYPE	STRAIGHT	PROPRIETARY AND CONFIDENTIAL						REV	-	
MAX RIM SPEED	12 M/S	THE INFORMATION CONTAINED IN THIS DRAWING IS THE SOLE PROPERTY OF SOLVE IMG. ANY REPRODUCTION IN PART OR AS A WHOLE WITHOUT THE WRITTEN PERMISSION OF SOLVE IMG IS PROHIBITED.								

9 8 7 6 5 4 3 2 1

A