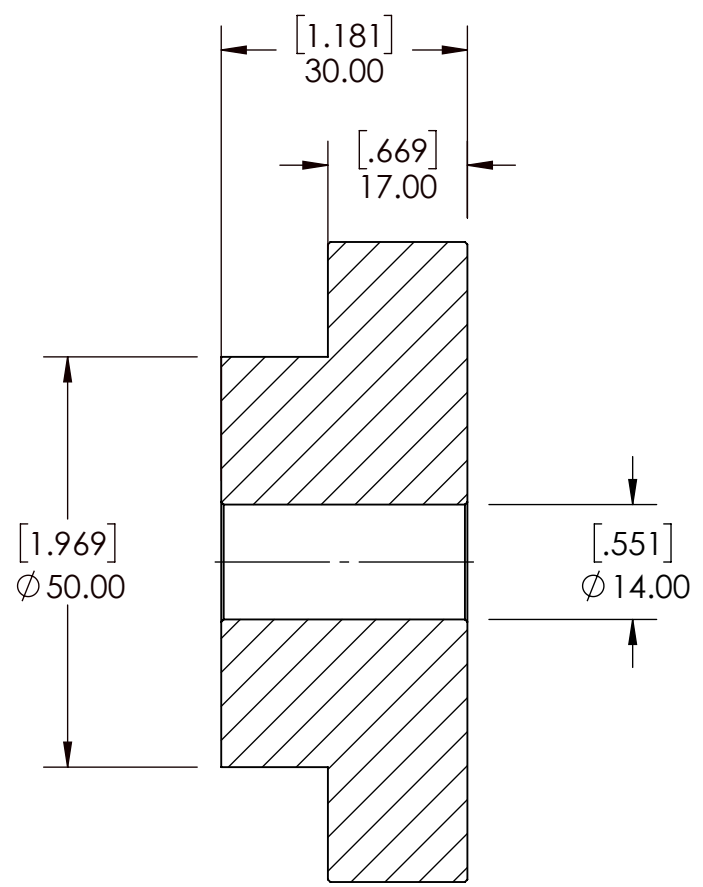
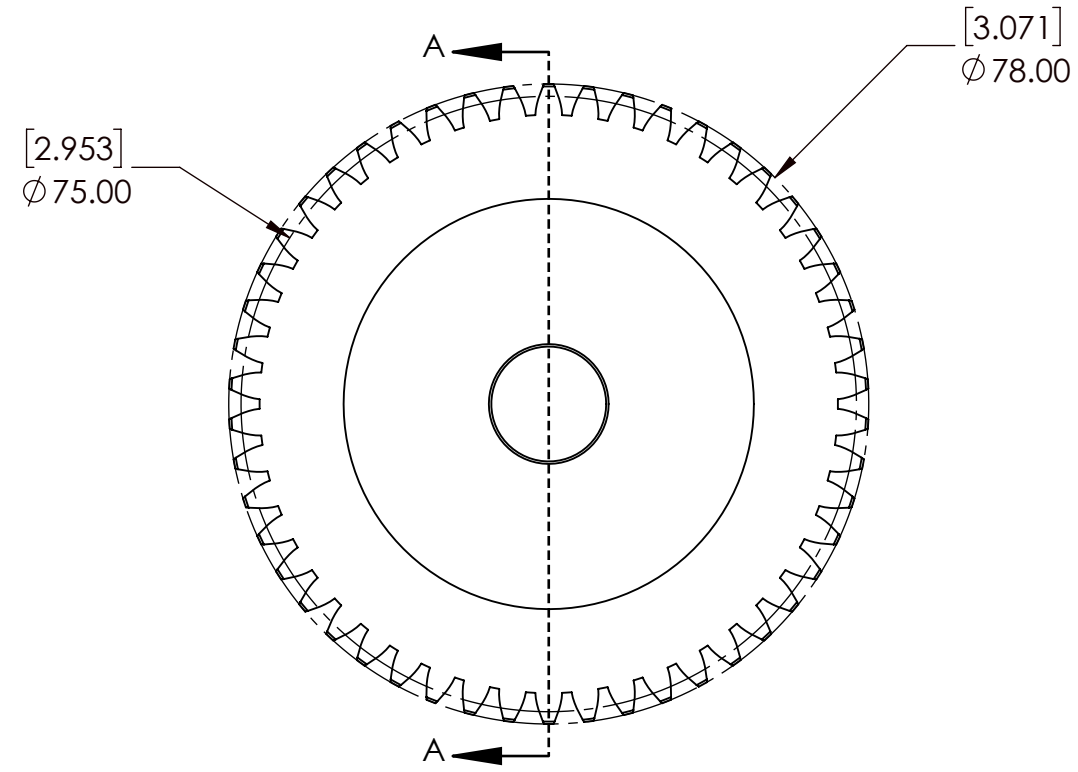
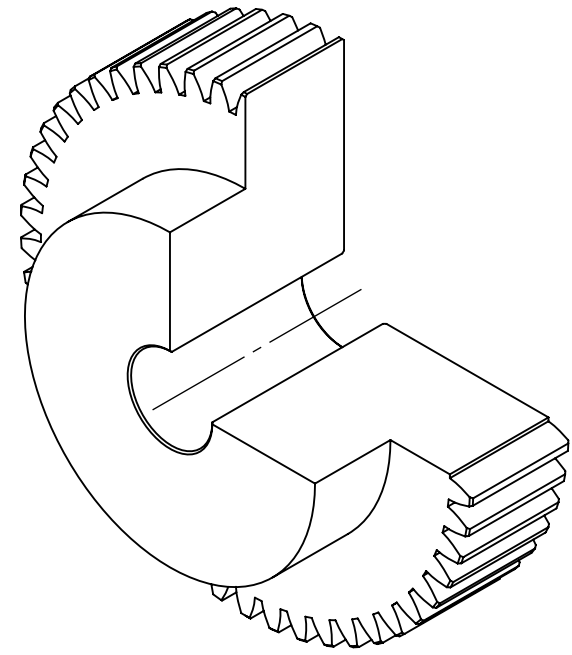


9 8 7 6 5 4 3 2 1

G
F
E
D
C
B
A

G
F
E
D
C
B
A



SECTION A-A

| SPUR GEAR SPECIFICATIONS | | WEIGHT | | DATE | | BY | | REVISION DESCRIPTION | | REV |
|--------------------------|-----------|--|-------|------------|--|----|--|----------------------|--|-----|
| UNITS | mm (INCH) | 1.64 LBS | | | | | | | | |
| MODULE | 1.5 | MATERIAL | STEEL | | | | | | | |
| PRESSURE ANGLE | 20° | COATING | N/A | | | | | | | |
| NUMBER OF TEETH | 50 | DRAWN | SEC | 08/29/2025 | | | | | | |
| PITCH DIAMETER | 75mm | CHECKED | SEC | 08/29/2025 | | | | | | |
| HUB TYPE | B | APPROVED | | | | | | | | |
| MAX TORQUE (Nm) | 23.39 Nm | THIRD ANGLE PROJECTION | | | | | | | | |
| TOOTH TYPE | STRAIGHT | DWG. NO. | | | | | | | | |
| MAX RIM SPEED | 12 M/S | PTI | | | | | | | | |
| | | PROPRIETARY AND CONFIDENTIAL | | | | | | | | |
| | | THE INFORMATION CONTAINED IN THIS DRAWING IS THE SOLE PROPERTY OF SOLVE IMG. ANY REPRODUCTION IN PART OR AS A WHOLE WITHOUT THE WRITTEN PERMISSION OF SOLVE IMG IS PROHIBITED. | | | | | | | | |
| | | M1.5B50 | | | | | | | | |
| | | SCALE | | | | | | | | |
| | | 1:1 | | | | | | | | |
| | | REV | | | | | | | | |
| | | - | | | | | | | | |

9 8 7 6 5 4 3 2 1