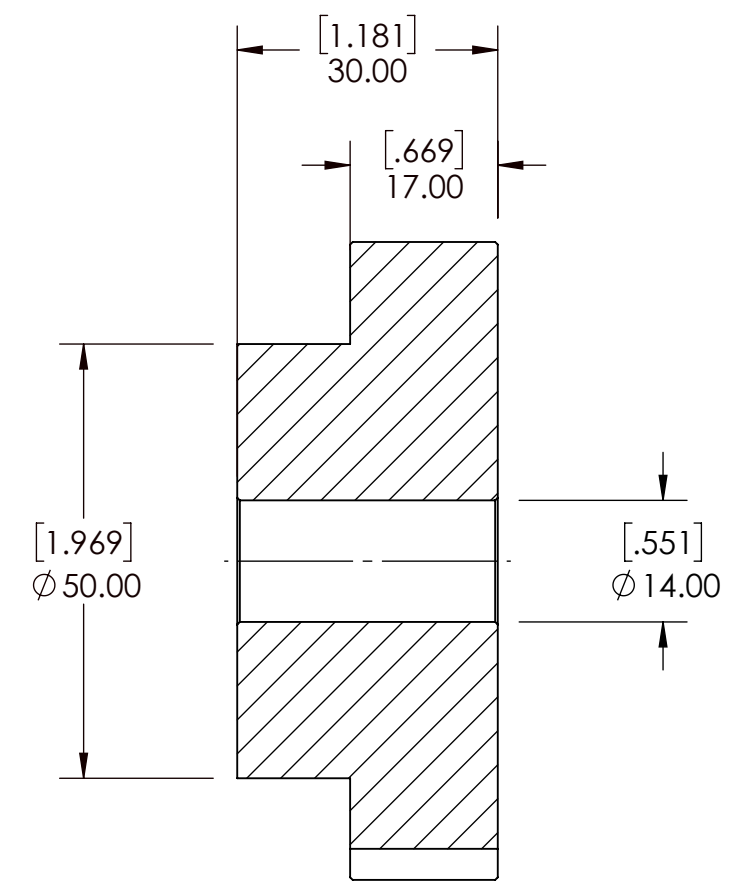
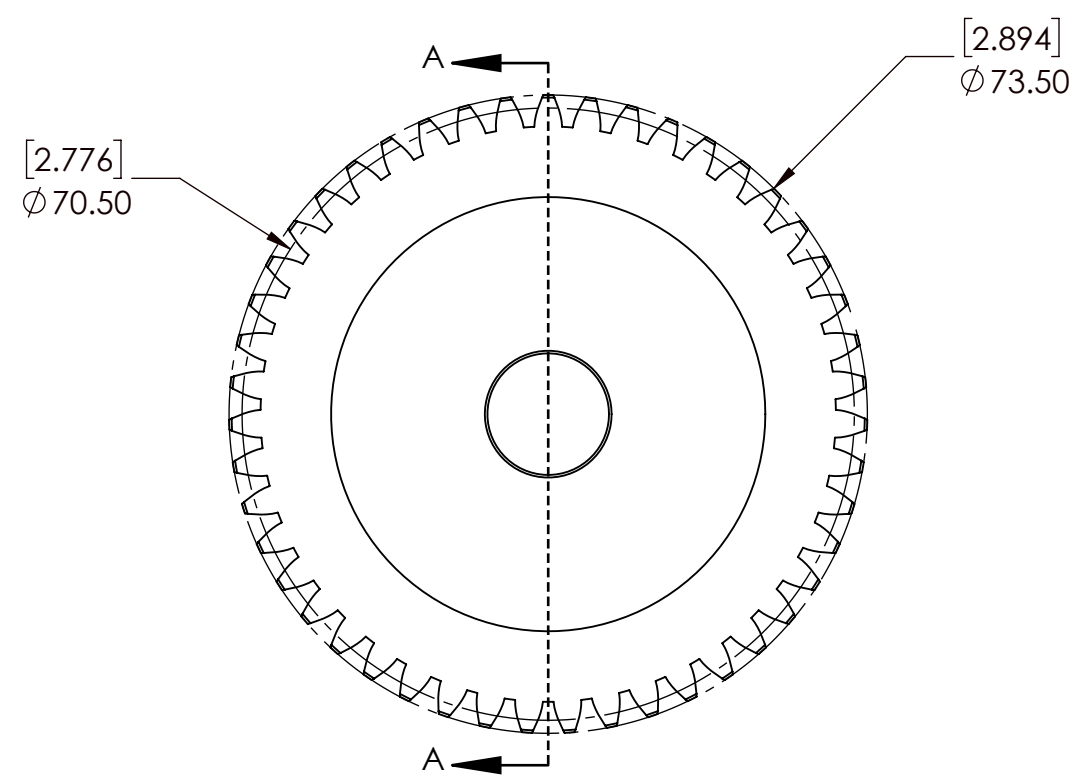
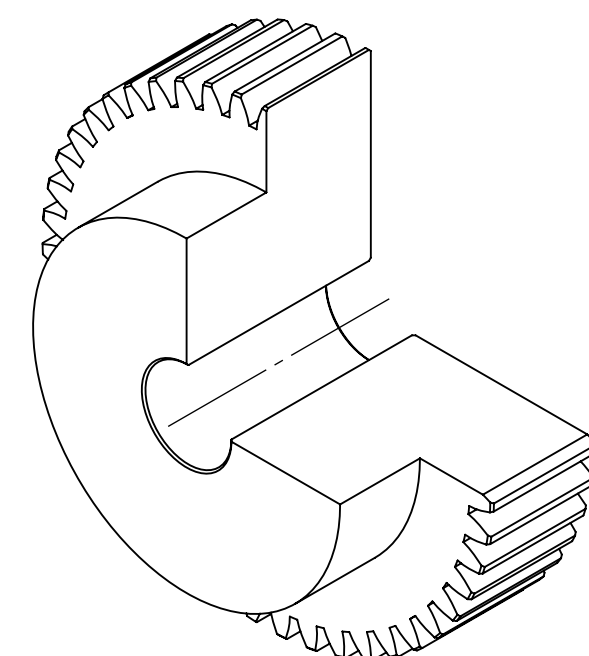


9 8 7 6 5 4 3 2 1

G
F
E
D
C
B
A

G
F
E
D
C
B
A



SECTION A-A

SPUR GEAR SPECIFICATIONS		WEIGHT		DATE		BY		REVISION DESCRIPTION		REV
UNITS	mm (INCH)	1.49 LBS								
MODULE	1.5	STEEL								
PRESSURE ANGLE	20°	N/A								
NUMBER OF TEETH	47	DRAWN SEC 08/29/2025								
PITCH DIAMETER	70.5mm	CHECKED SEC 08/29/2025								
HUB TYPE	B	APPROVED								
MAX TORQUE (Nm)	19.41 Nm	THIRD ANGLE PROJECTION								
TOOTH TYPE	STRAIGHT	DWG. NO.								
MAX RIM SPEED	12 M/S	PTI								
		DWG. NO.		PROPRIETARY AND CONFIDENTIAL		ITEM DESCRIPTION:		M1.5B47		SCALE
				THE INFORMATION CONTAINED IN THIS DRAWING IS THE SOLE PROPERTY OF SOLVE IMG. ANY REPRODUCTION IN PART OR AS A WHOLE WITHOUT THE WRITTEN PERMISSION OF SOLVE IMG IS PROHIBITED.						1:1
										REV
										-

9 8 7 6 5 4 3 2 1