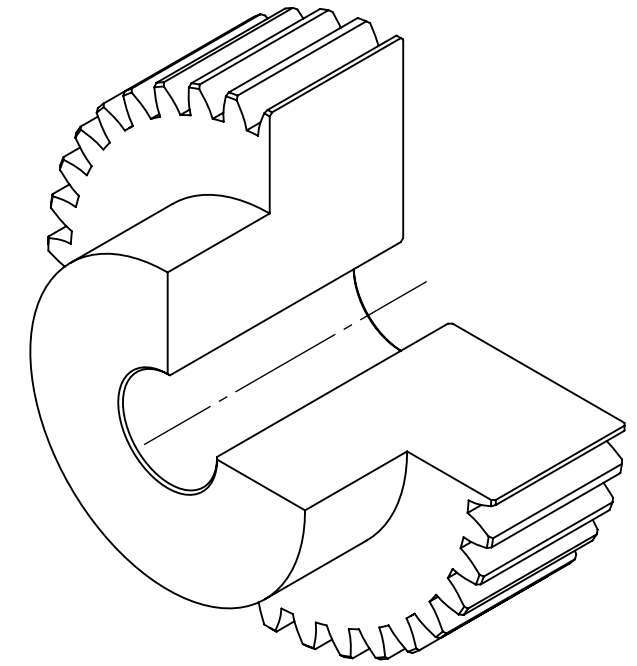
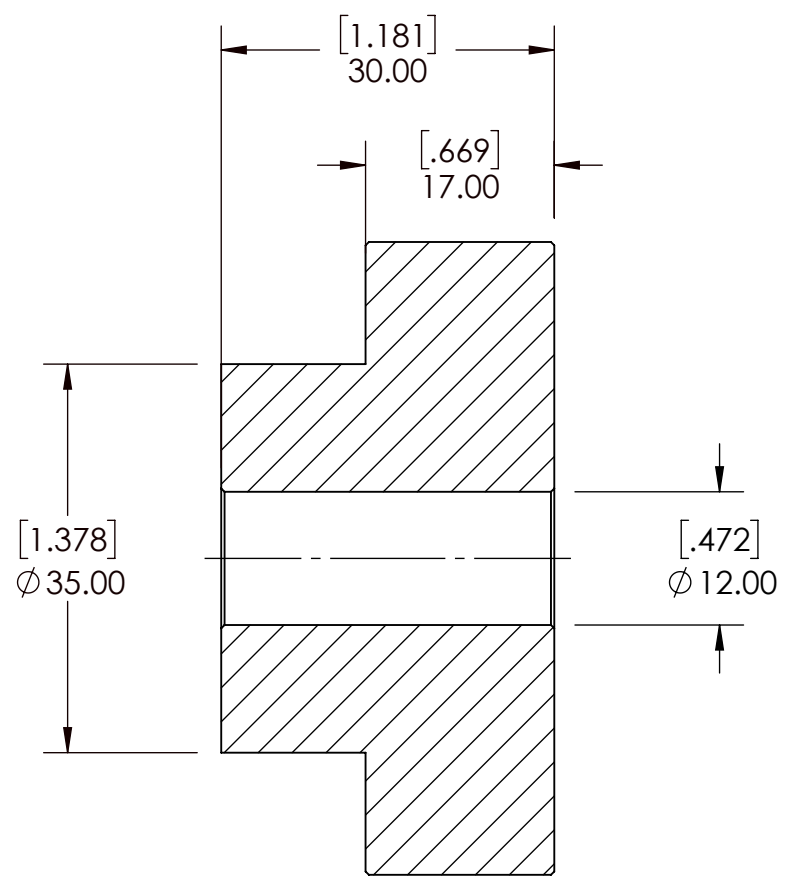
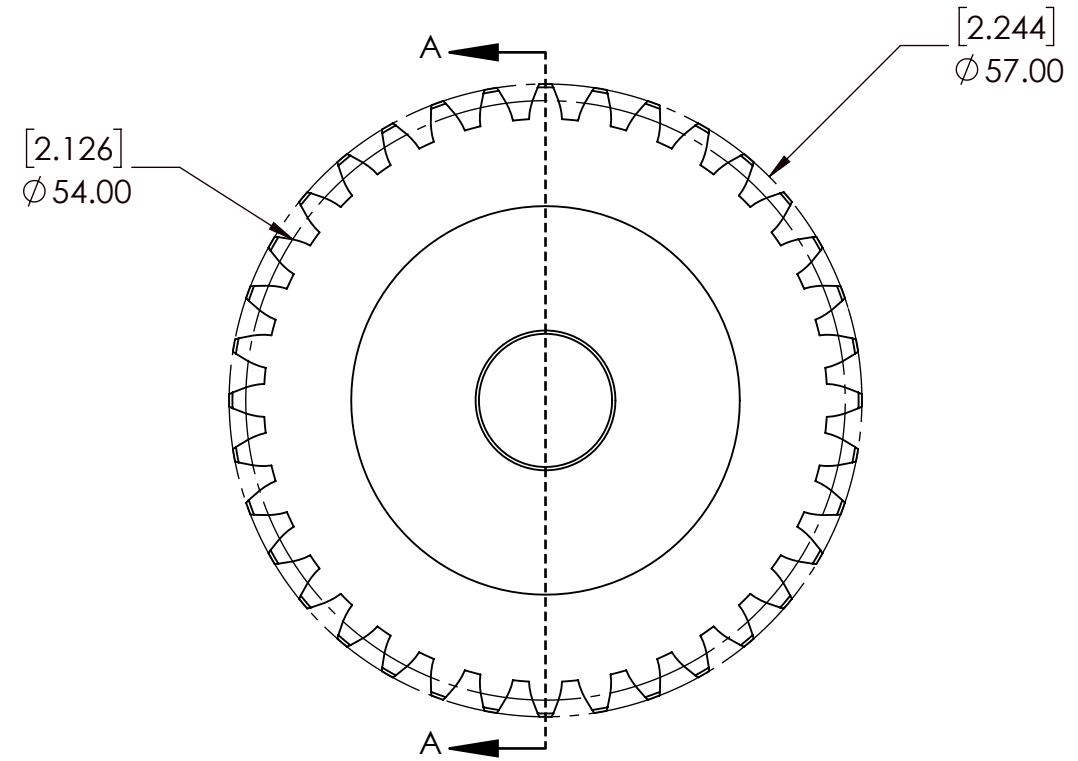


9 8 7 6 5 4 3 2 1

G
F
E
D
C
B
A

G
F
E
D
C
B
A



SECTION A-A

SPUR GEAR SPECIFICATIONS		WEIGHT		DATE		BY		REVISION DESCRIPTION		REV
UNITS	mm (INCH)	0.82 LBS								
MODULE	1.5	STEEL								
PRESSURE ANGLE	20°	N/A		08/29/2025						
NUMBER OF TEETH	36	DRAWN		SEC						
PITCH DIAMETER	54mm	CHECKED		SEC						
HUB TYPE	B	APPROVED								
MAX TORQUE (Nm)	10.27 Nm	THIRD ANGLE PROJECTION								
TOOTH TYPE	STRAIGHT	DWG. NO.								
MAX RIM SPEED	12 M/S	PROPRIETARY AND CONFIDENTIAL								
		PTI		ITEM DESCRIPTION:						
		M1.5B36								
		SCALE								
		1:1								
		REV								
		-								

9 8 7 6 5 4 3 2 1