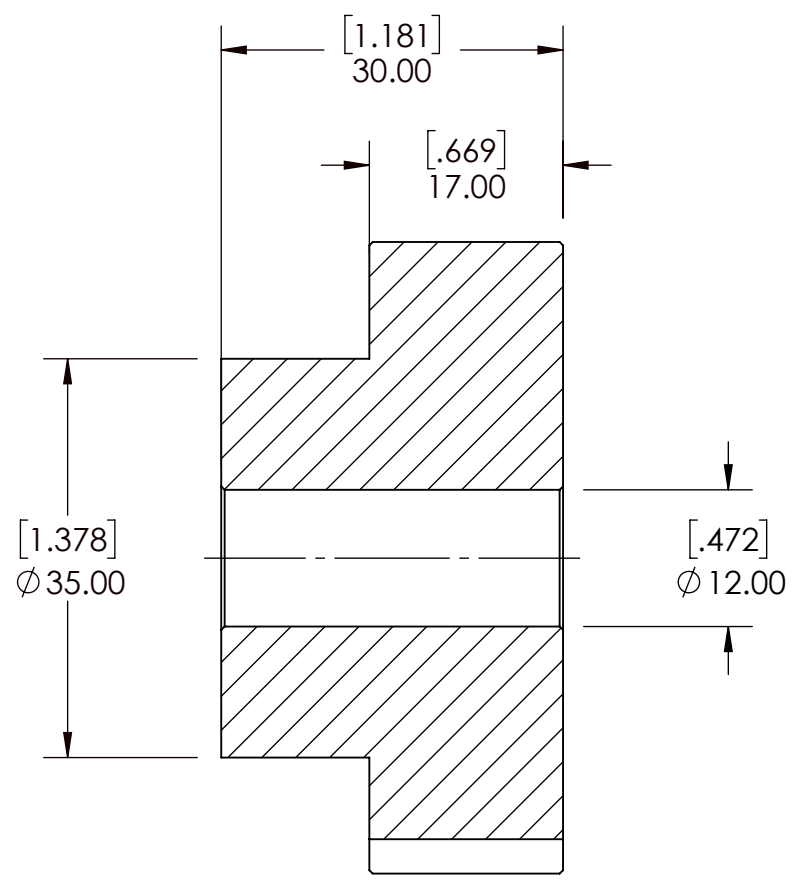
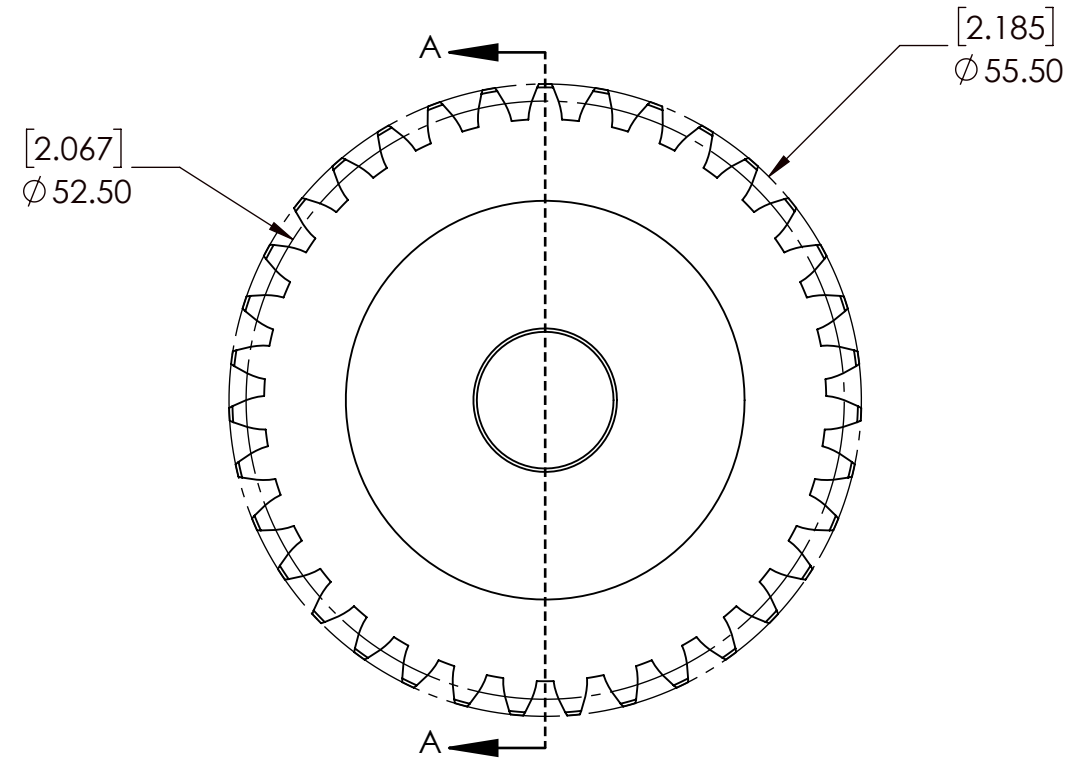
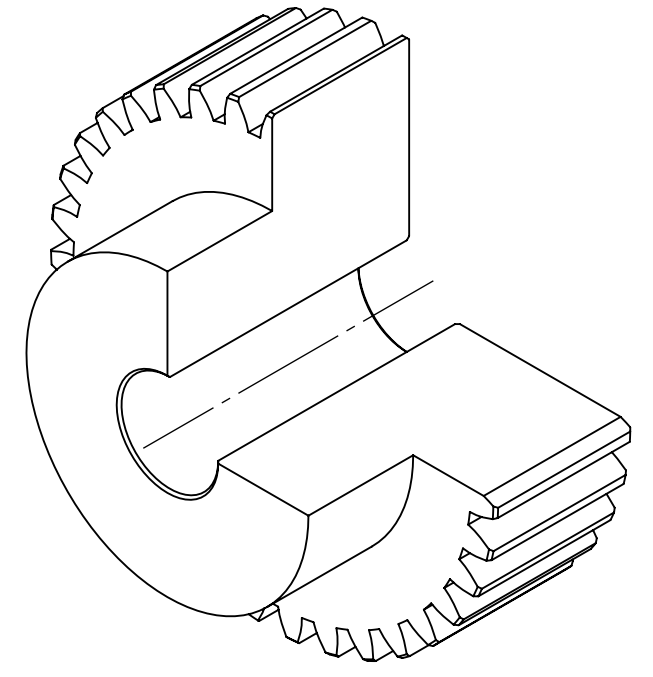


9 8 7 6 5 4 3 2 1

G
F
E
D
C
B
A

G
F
E
D
C
B
A



SECTION A-A

SPUR GEAR SPECIFICATIONS		WEIGHT		DATE		BY		REVISION DESCRIPTION		REV
UNITS	mm (INCH)	0.79 LBS								
MODULE	1.5	MATERIAL	STEEL							
PRESSURE ANGLE	20°	COATING	N/A							
NUMBER OF TEETH	35	DRAWN	SEC	08/29/2025						
PITCH DIAMETER	52.5mm	CHECKED	SEC	08/29/2025						
HUB TYPE	B	APPROVED								
MAX TORQUE (Nm)	9.66 Nm	THIRD ANGLE PROJECTION								
TOOTH TYPE	STRAIGHT									
MAX RIM SPEED	12 M/S									
				DWG. NO.		PROPRIETARY AND CONFIDENTIAL <small>THE INFORMATION CONTAINED IN THIS DRAWING IS THE SOLE PROPERTY OF SOLVE IMG. ANY REPRODUCTION IN PART OR AS A WHOLE WITHOUT THE WRITTEN PERMISSION OF SOLVE IMG IS PROHIBITED.</small>		ITEM DESCRIPTION:		SCALE
						M1.5B35				1:1
										-

9 8 7 6 5 4 3 2 1