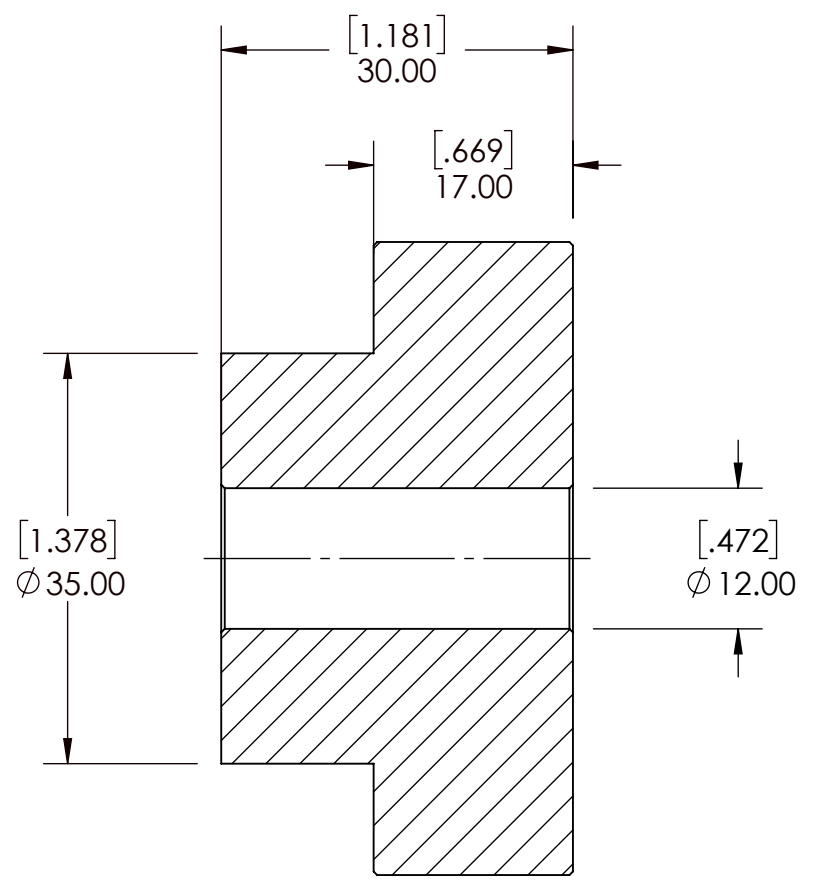
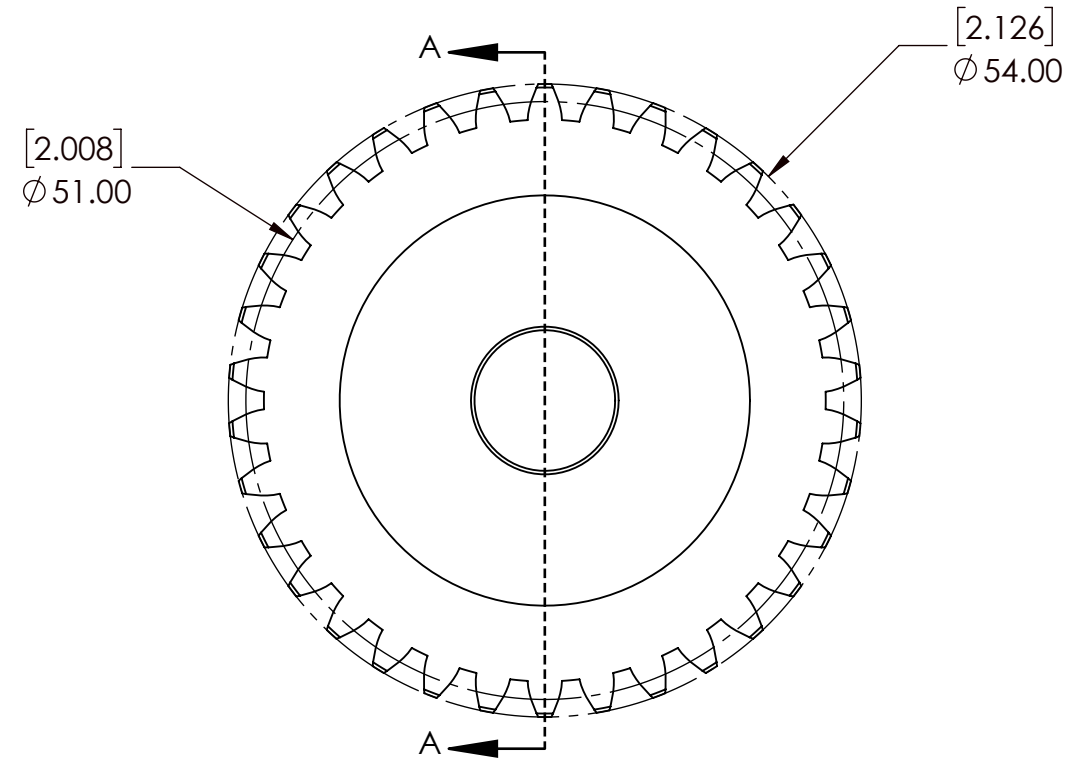
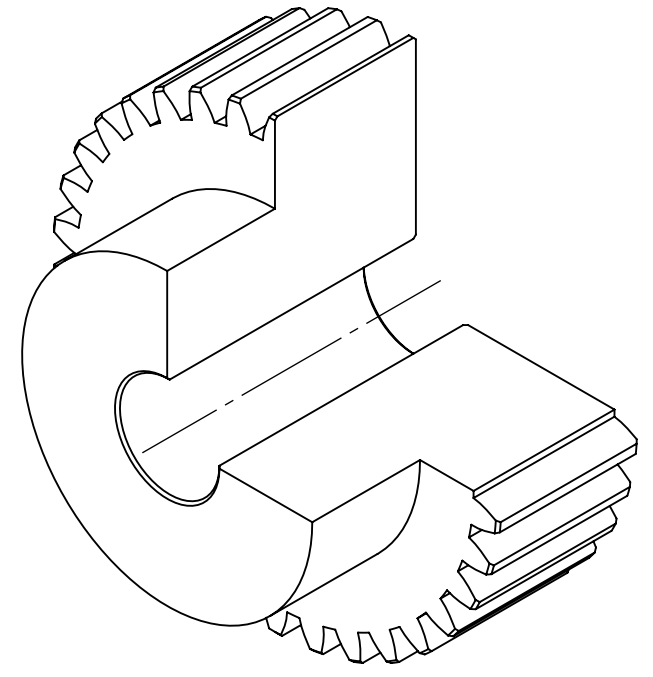


9 8 7 6 5 4 3 2 1

G  
F  
E  
D  
C  
B  
A



SECTION A-A

SPUR GEAR SPECIFICATIONS		WEIGHT		DATE		BY		REVISION DESCRIPTION		REV
UNITS	mm (INCH)	0.75 LBS								
MODULE	1.5	MATERIAL	STEEL							
PRESSURE ANGLE	20°	COATING	N/A							
NUMBER OF TEETH	34	DRAWN	SEC 08/29/2025							
PITCH DIAMETER	51mm	CHECKED	SEC 08/29/2025							
HUB TYPE	B	APPROVED								
MAX TORQUE (Nm)	9.01 Nm					ITEM DESCRIPTION:		M1.5B34		SCALE
TOOTH TYPE	STRAIGHT									1:1
MAX RIM SPEED	12 M/S	DWG. NO.		PROPRIETARY AND CONFIDENTIAL <small>THE INFORMATION CONTAINED IN THIS DRAWING IS THE SOLE PROPERTY OF SOLVE IMG. ANY REPRODUCTION IN PART OR AS A WHOLE WITHOUT THE WRITTEN PERMISSION OF SOLVE IMG IS PROHIBITED.</small>						REV
										-

9 8 7 6 5 4 3 2 1

G  
F  
E  
D  
C  
B  
A