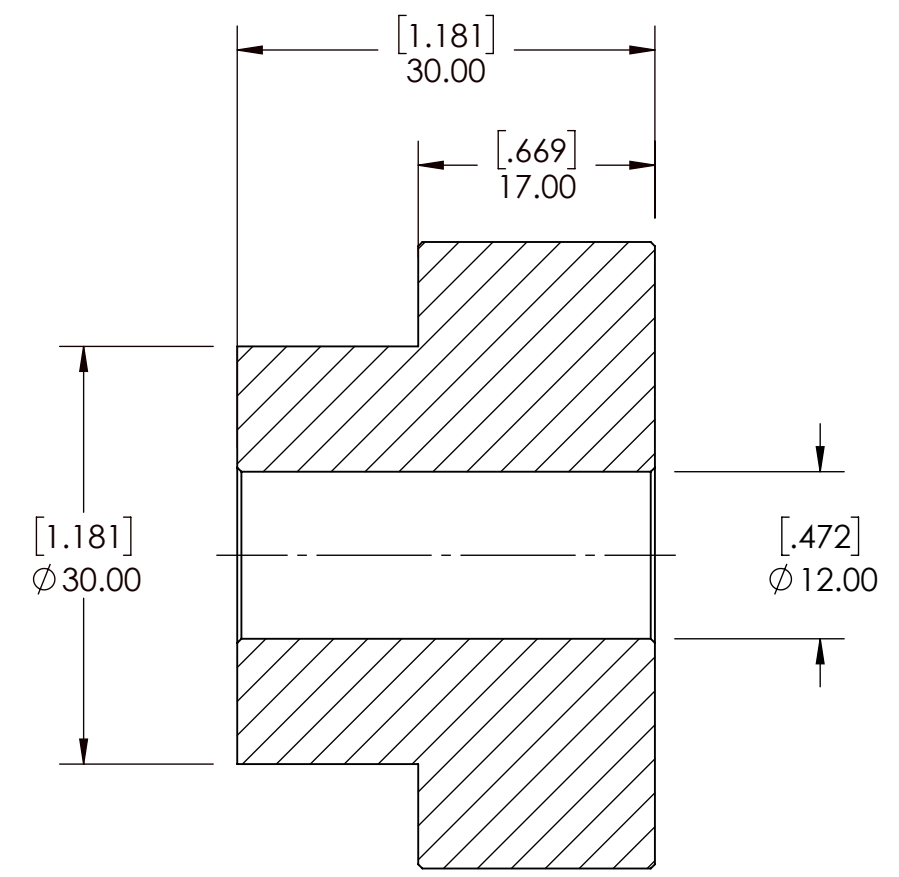
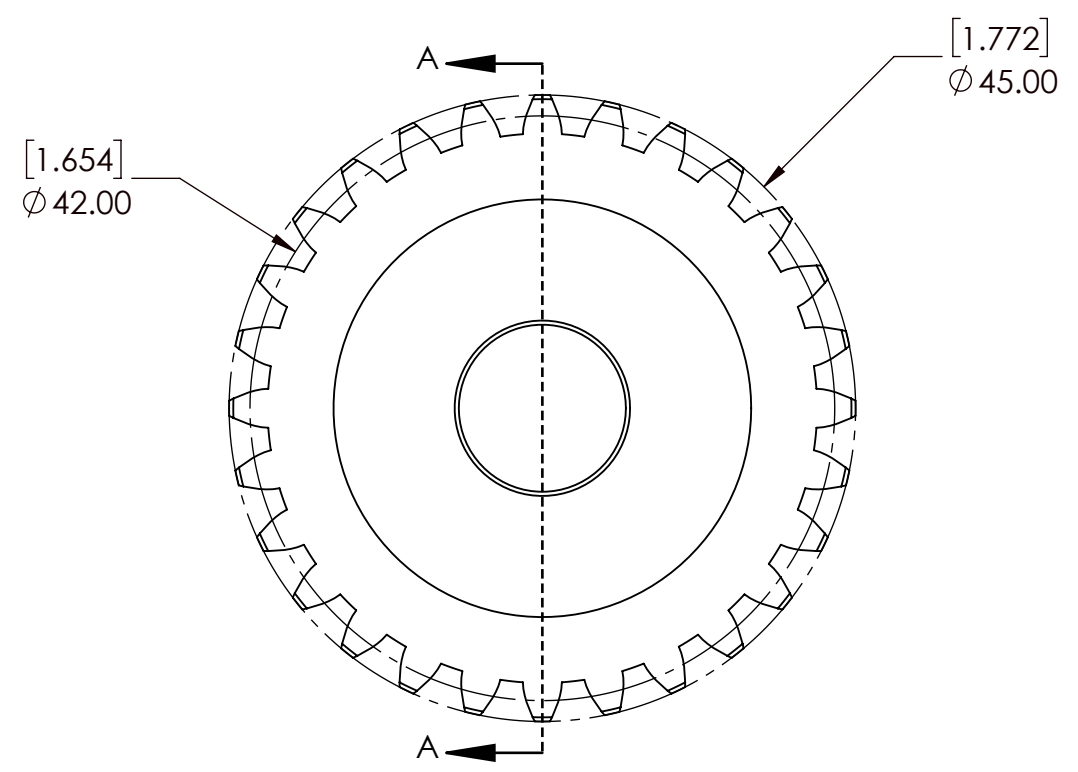
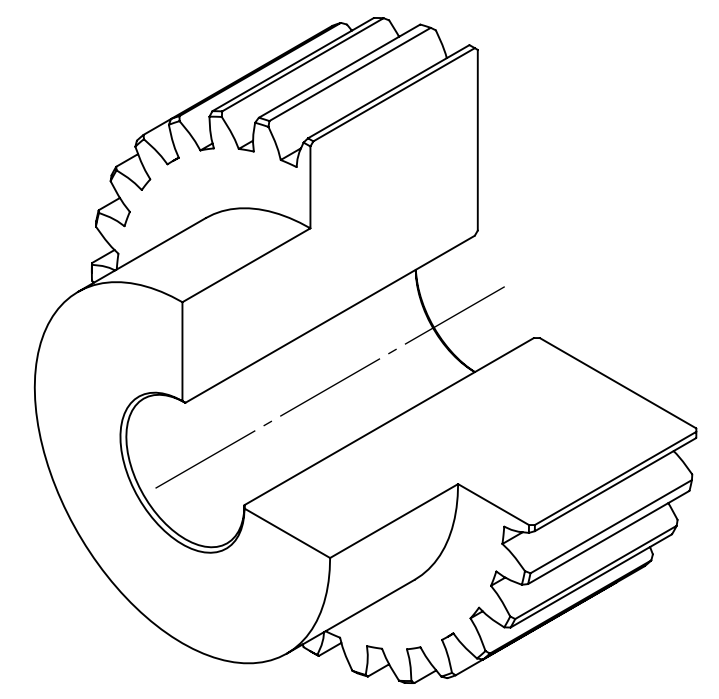


9 8 7 6 5 4 3 2 1

G
F
E
D
C
B
A

G
F
E
D
C
B
A



SECTION A-A

SPUR GEAR SPECIFICATIONS		SOLVE		WEIGHT		0.51 LBS				
UNITS	mm (INCH)	INDUSTRIAL MOTION GROUP		MATERIAL	STEEL					
MODULE	1.5			COATING	N/A					
PRESSURE ANGLE	20°	SIZE	PTI	DRAWN	SEC	08/29/2025				
NUMBER OF TEETH	28			CHECKED	SEC	08/29/2025				
PITCH DIAMETER	42mm	DWG. NO.		APPROVED	DATE		BY	REVISION DESCRIPTION		REV
HUB TYPE	B			ITEM DESCRIPTION:			M1.5B28			SCALE
MAX TORQUE (Nm)	5.72 Nm	PROPRIETARY AND CONFIDENTIAL		THIRD ANGLE PROJECTION		PERMISSION OF SOLVE IMG IS PROHIBITED.		1:1		REV
TOOTH TYPE	STRAIGHT									-
MAX RIM SPEED	12 M/S									-

9 8 7 6 5 4 3 2 1