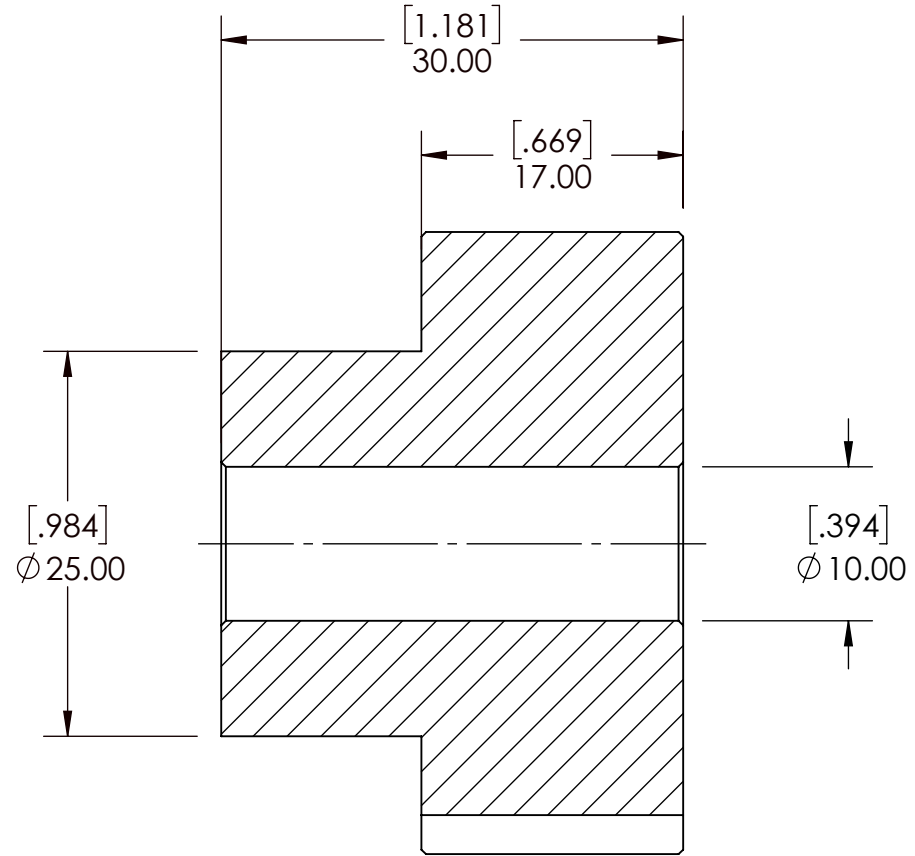
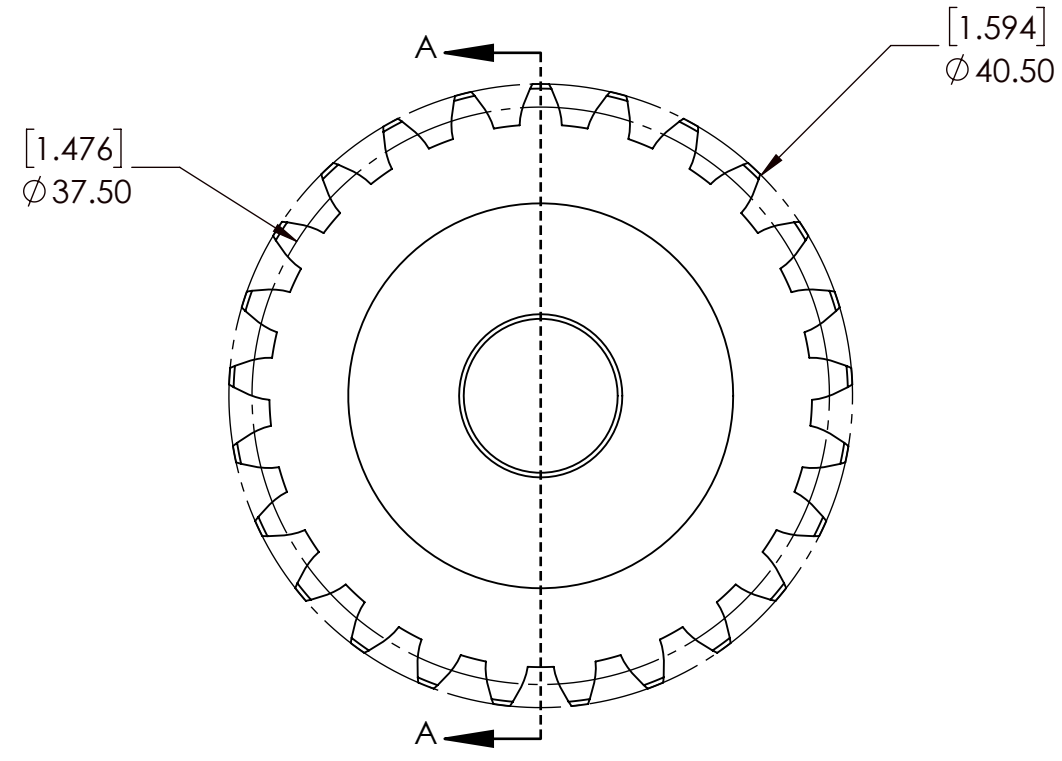
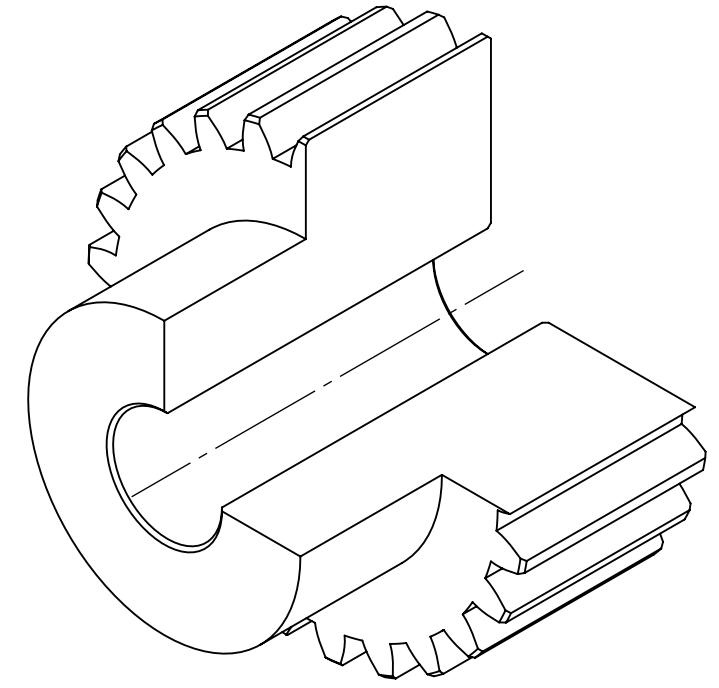


9 8 7 6 5 4 3 2 1

G  
F  
E  
D  
C  
B  
A

G  
F  
E  
D  
C  
B  
A



SECTION A-A

SPUR GEAR SPECIFICATIONS		WEIGHT		DATE		BY		REVISION DESCRIPTION		REV
UNITS	mm (INCH)	0.40 LBS								
MODULE	1.5	STEEL								
PRESSURE ANGLE	20°	N/A								
NUMBER OF TEETH	25	DRAWN	SEC	08/29/2025						
PITCH DIAMETER	37.5mm	CHECKED	SEC	08/29/2025						
HUB TYPE	B	APPROVED								
MAX TORQUE (Nm)	4.38 Nm			ITEM DESCRIPTION: M1.5B25						SCALE
TOOTH TYPE	STRAIGHT									1:1
MAX RIM SPEED	12 M/S									REV
		DWG. NO.		M1.5B25						

9 8 7 6 5 4 3 2 1



PROPRIETARY AND CONFIDENTIAL  
THE INFORMATION CONTAINED IN THIS DRAWING IS THE SOLE PROPERTY OF SOLVE IMG. ANY REPRODUCTION IN PART OR AS A WHOLE WITHOUT THE WRITTEN PERMISSION OF SOLVE IMG IS PROHIBITED.