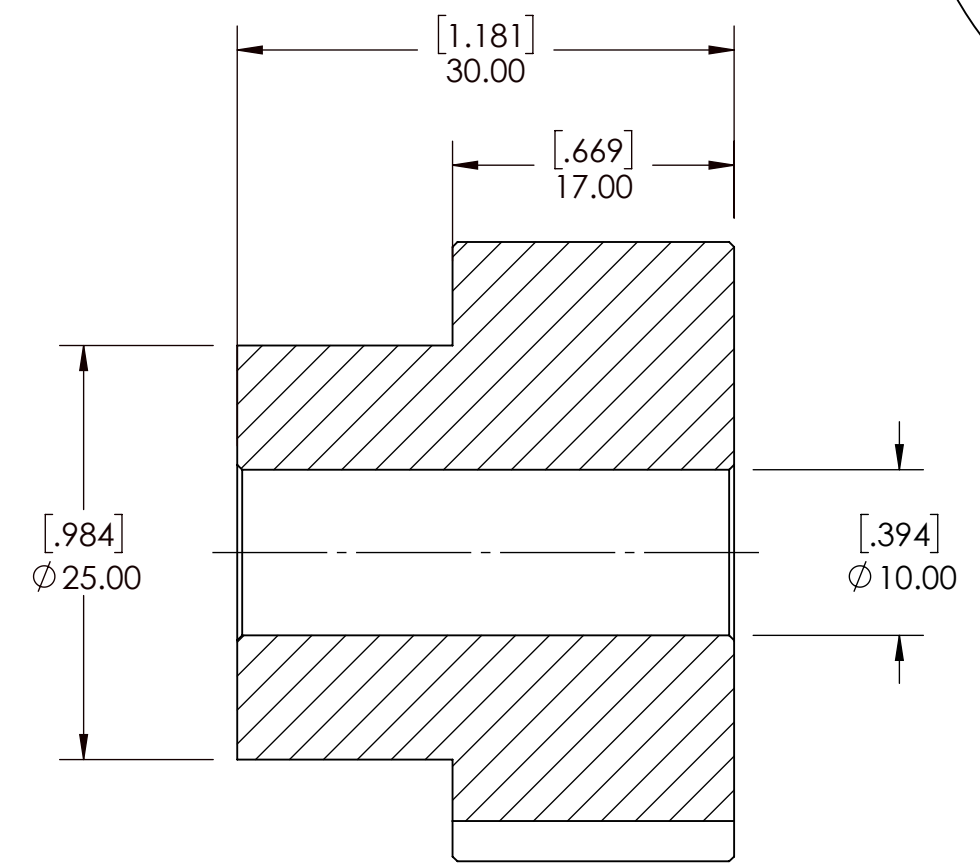
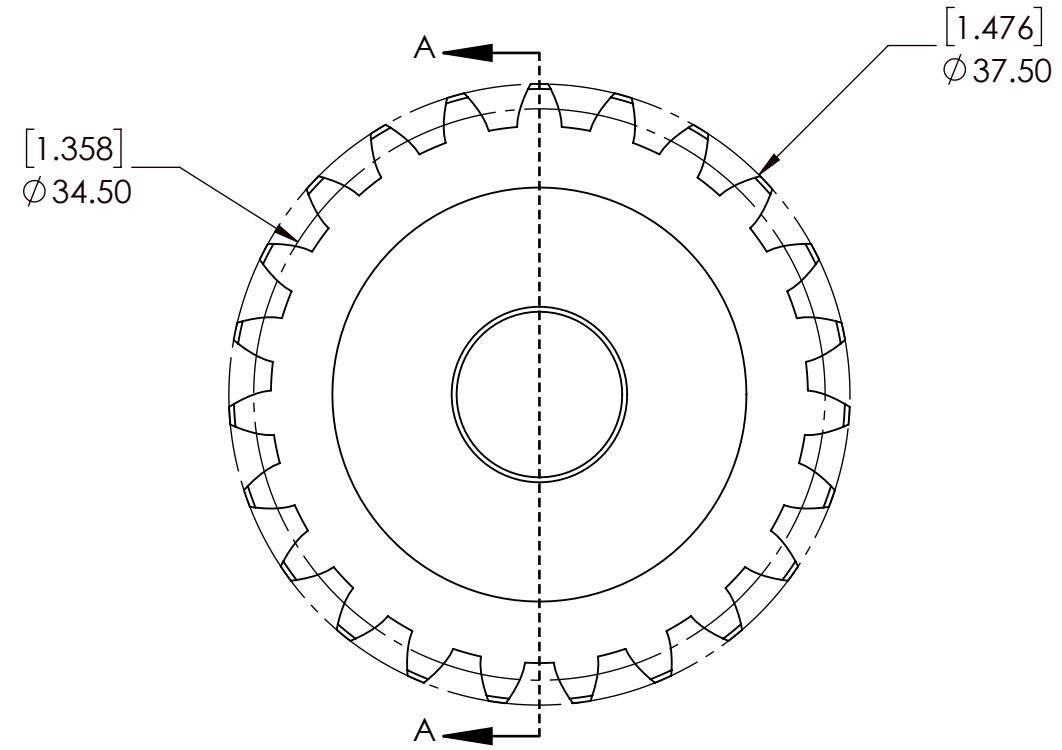
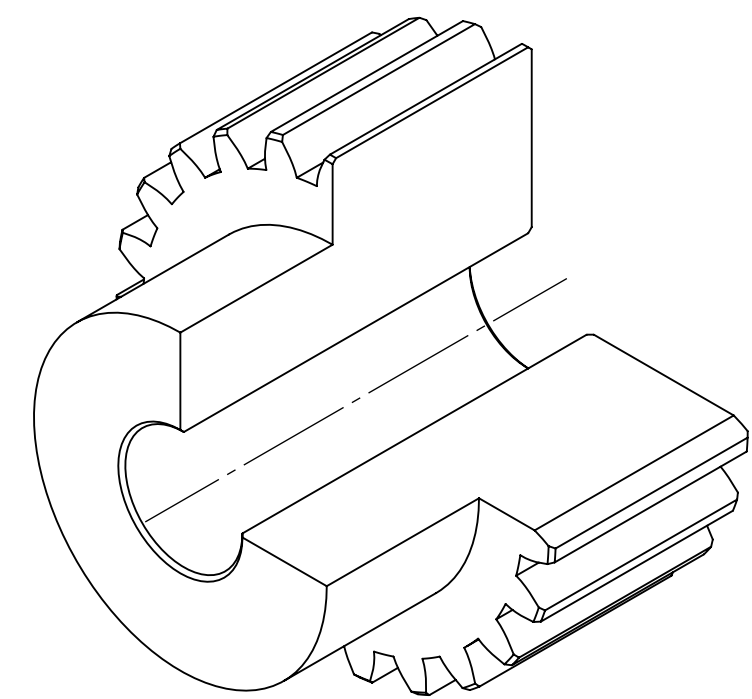


9 8 7 6 5 4 3 2 1

G  
F  
E  
D  
C  
B  
A

G  
F  
E  
D  
C  
B  
A



SECTION A-A

SPUR GEAR SPECIFICATIONS		WEIGHT		DATE		BY		REVISION DESCRIPTION		REV
UNITS	mm (INCH)	0.35 LBS								
MODULE	1.5	MATERIAL	STEEL							
PRESSURE ANGLE	20°	COATING	N/A							
NUMBER OF TEETH	23	DRAWN	SEC 08/29/2025							
PITCH DIAMETER	34.5mm	CHECKED	SEC 08/29/2025							
HUB TYPE	B	APPROVED								
MAX TORQUE (Nm)	3.61 Nm			ITEM DESCRIPTION:		M1.5B23		SCALE		1:1
TOOTH TYPE	STRAIGHT									1
MAX RIM SPEED	12 M/S									-

9 8 7 6 5 4 3 2 1