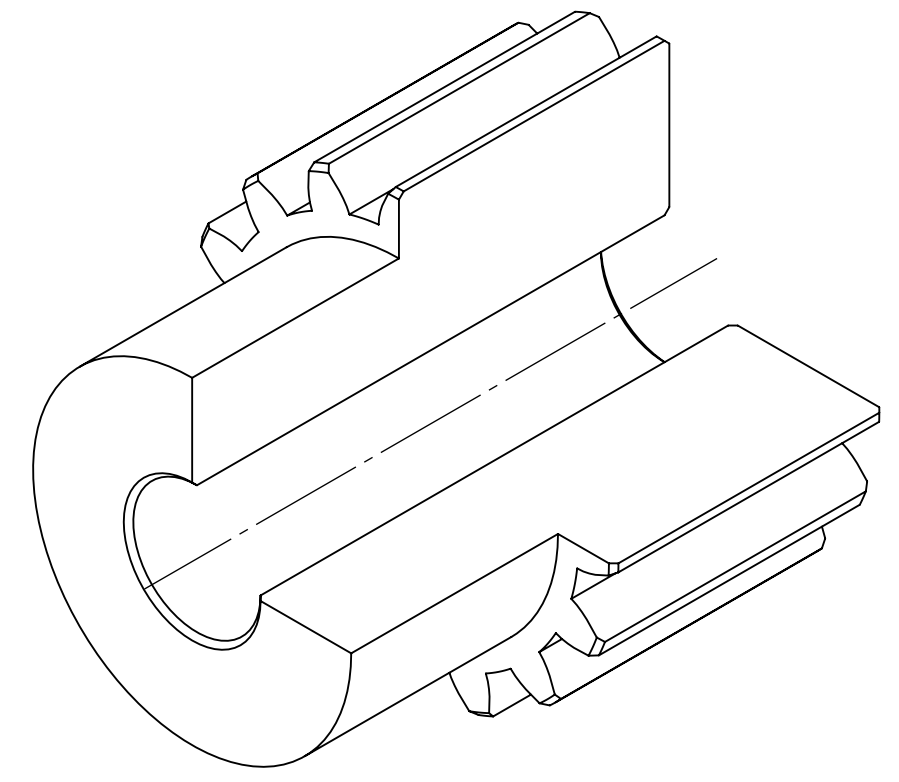
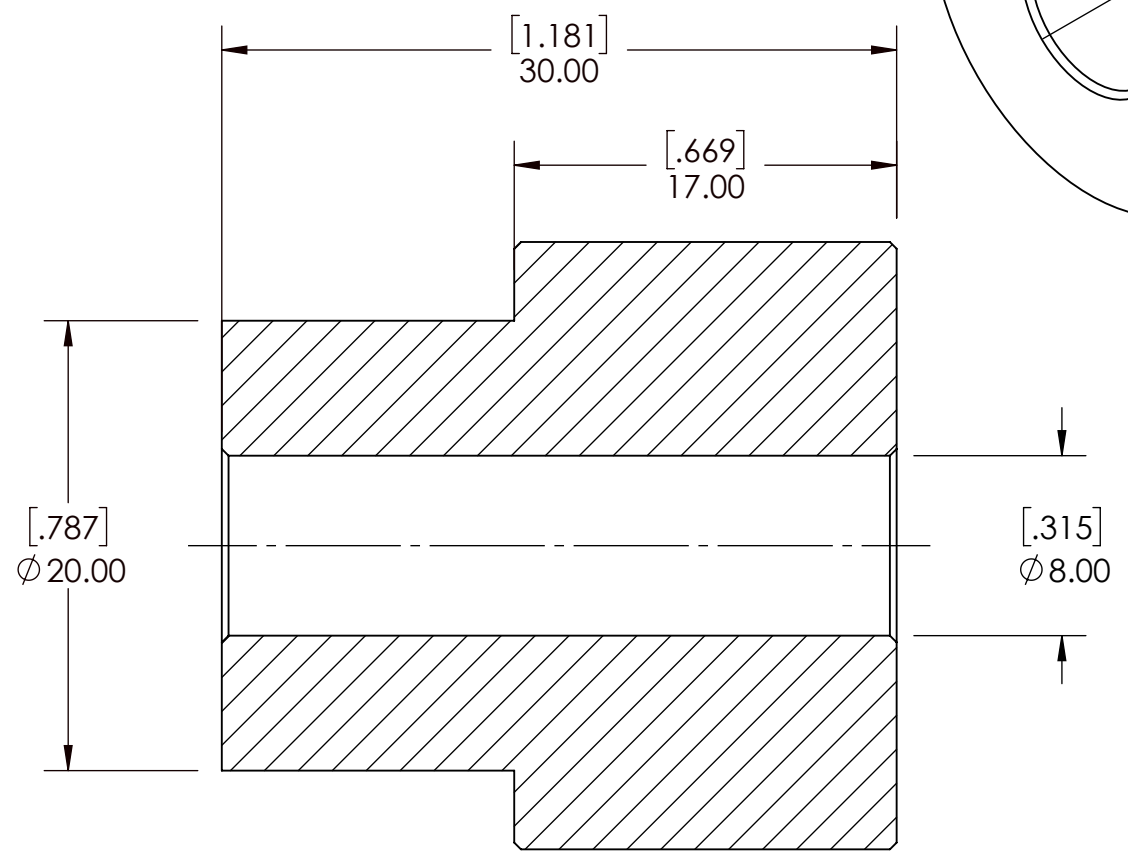
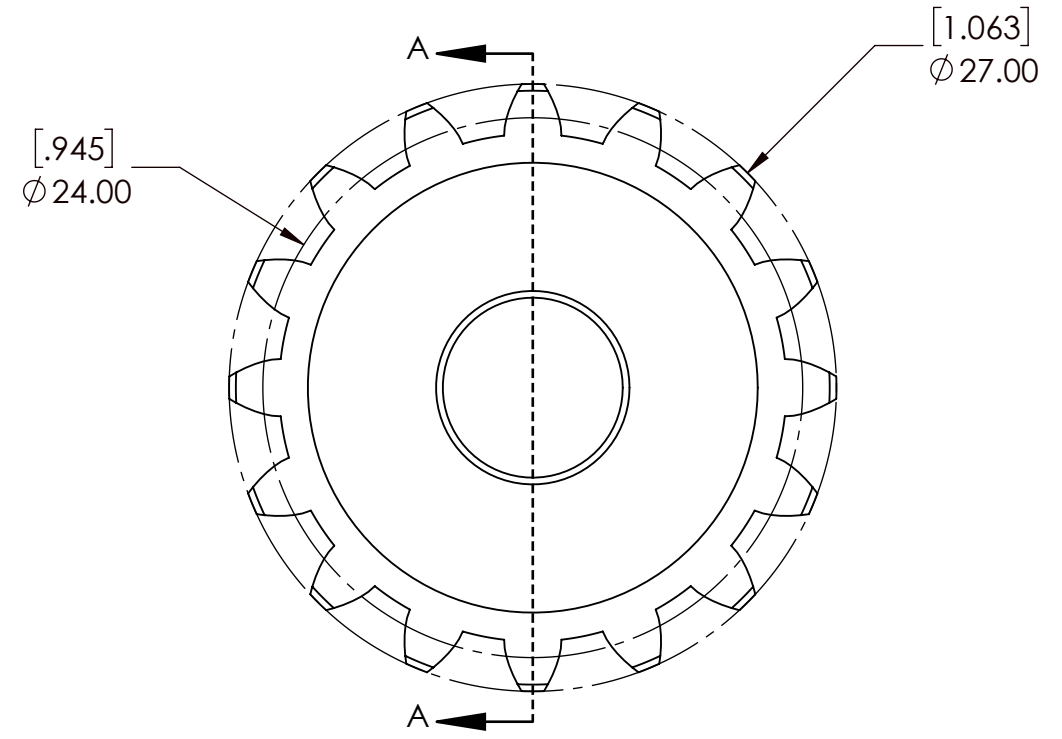


9 8 7 6 5 4 3 2 1

G
F
E
D
C
B
A

G
F
E
D
C
B
A



SECTION A-A

SPUR GEAR SPECIFICATIONS		WEIGHT		0.18 LBS	
UNITS	mm (INCH)	MATERIAL	STEEL		
MODULE	1.5	COATING	N/A		
PRESSURE ANGLE	20°	DRAWN	SEC	08/29/2025	
NUMBER OF TEETH	16	CHECKED	SEC	08/29/2025	
PITCH DIAMETER	24mm	APPROVED			
HUB TYPE	B	THIRD ANGLE PROJECTION			
MAX TORQUE (Nm)	1.71 Nm	DATE	BY	REVISION DESCRIPTION	
TOOTH TYPE	STRAIGHT	ITEM DESCRIPTION:		M1.5B16	
MAX RIM SPEED	12 M/S	DWG. NO.			REV
		<small>PROPRIETARY AND CONFIDENTIAL</small> <small>THE INFORMATION CONTAINED IN THIS DRAWING IS THE SOLE PROPERTY OF SOLVE IMG. ANY REPRODUCTION IN PART OR AS A WHOLE WITHOUT THE WRITTEN PERMISSION OF SOLVE IMG IS PROHIBITED.</small>		SCALE	1:2
					REV
					-

9 8 7 6 5 4 3 2 1