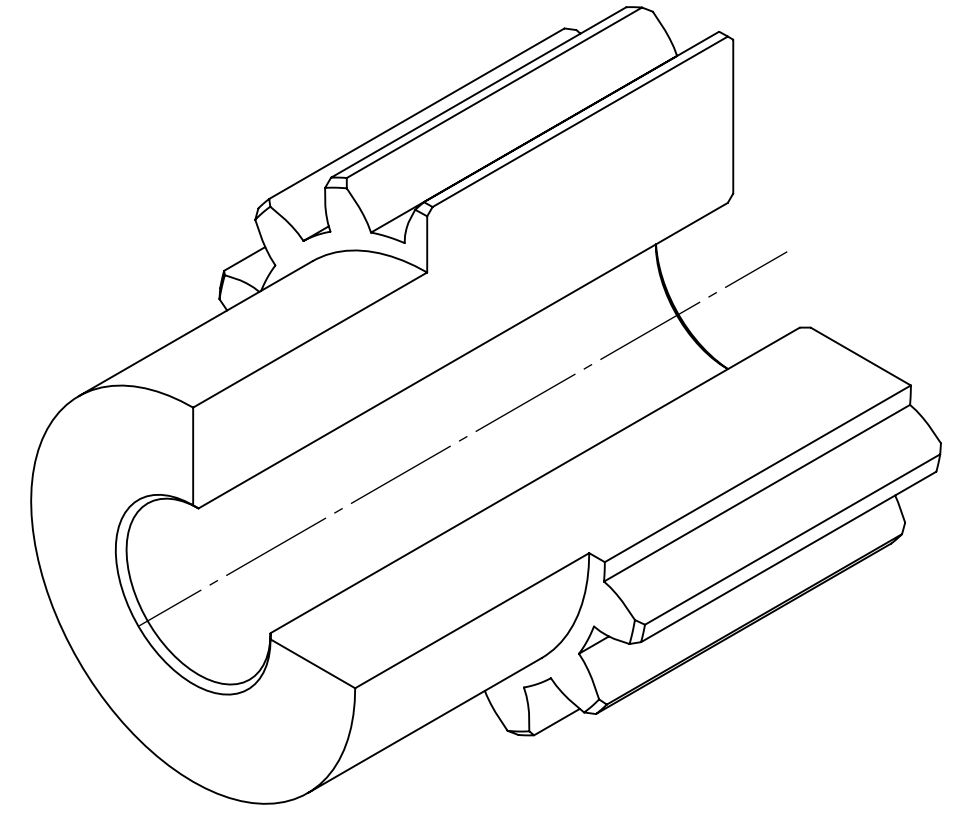
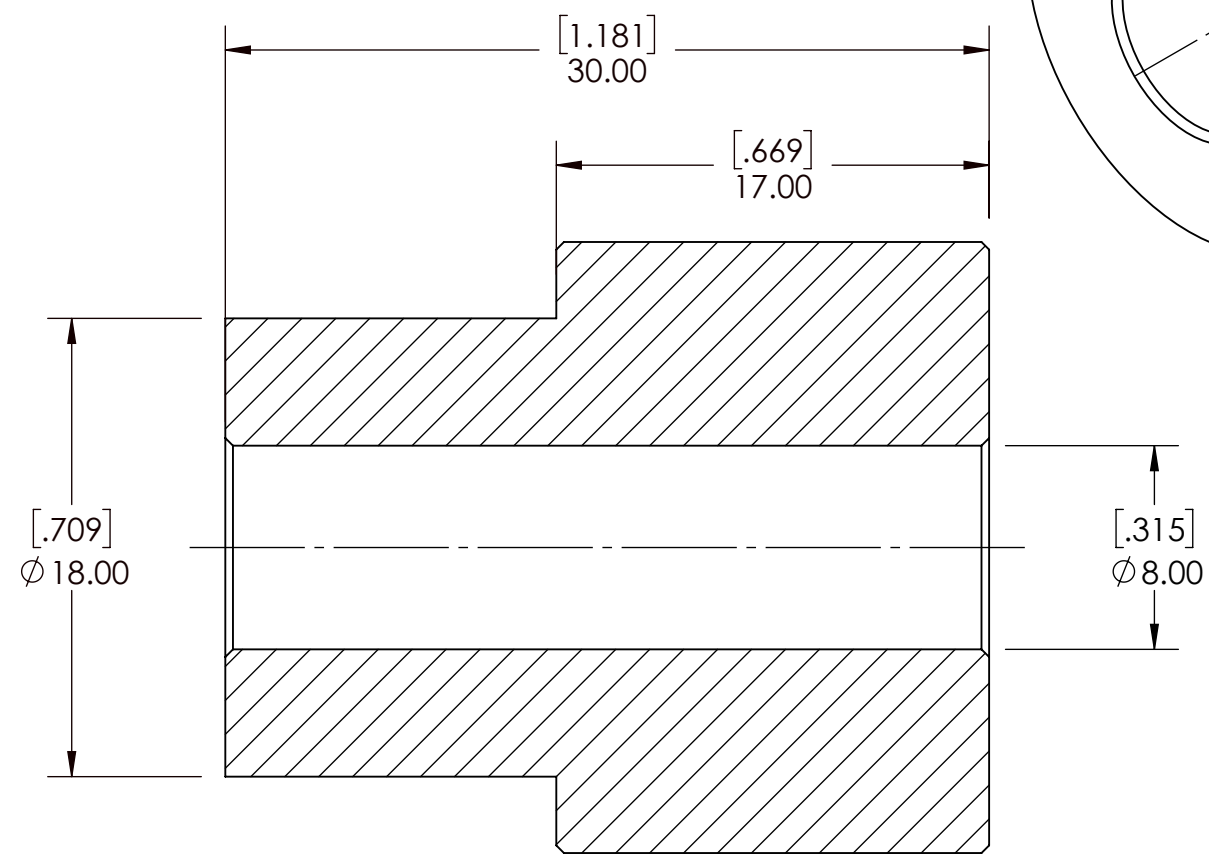
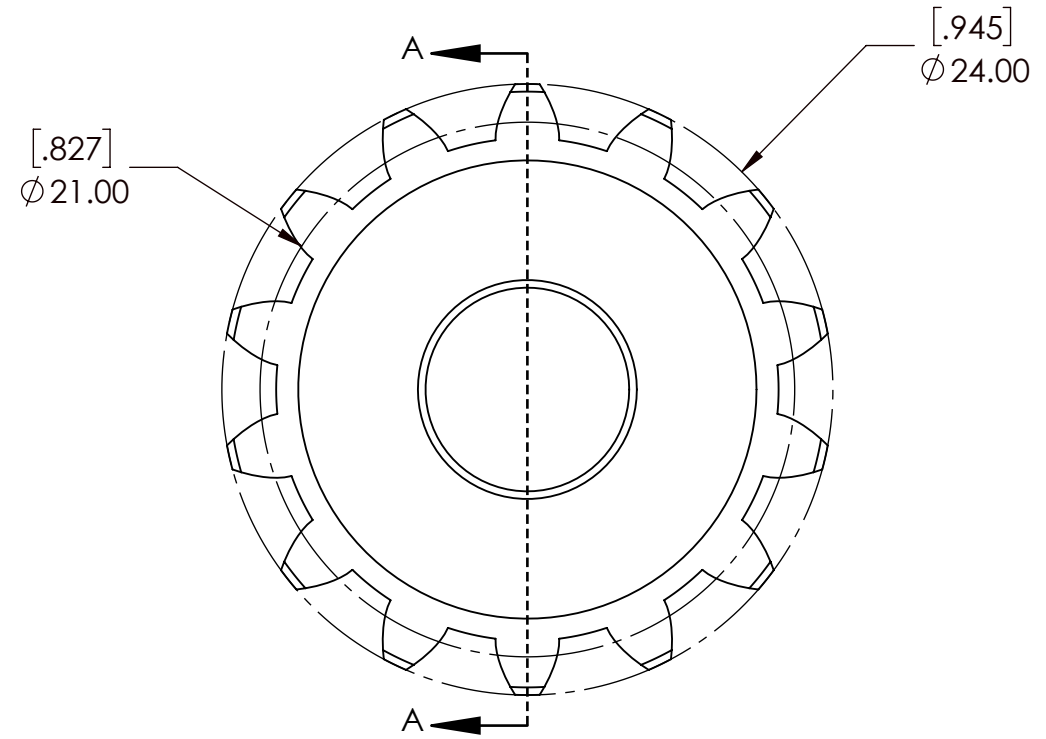


9 8 7 6 5 4 3 2 1

G  
F  
E  
D  
C  
B  
A

G  
F  
E  
D  
C  
B  
A



SECTION A-A

SPUR GEAR SPECIFICATIONS		WEIGHT		0.14 LBS	
UNITS	mm (INCH)	MATERIAL	STEEL		
MODULE	1.5	COATING	N/A		
PRESSURE ANGLE	20°	DRAWN	SEC	08/29/2025	
NUMBER OF TEETH	14	CHECKED	SEC	08/29/2025	
PITCH DIAMETER	21mm	APPROVED			
HUB TYPE	B	THIRD ANGLE PROJECTION			
MAX TORQUE (Nm)	1.46 Nm	DATE	BY	REVISION DESCRIPTION	
TOOTH TYPE	STRAIGHT	ITEM DESCRIPTION:		M1.5B14	REV
MAX RIM SPEED	12 M/S	DWG. NO.			SCALE
					1:2
					REV
		<small>PROPRIETARY AND CONFIDENTIAL THE INFORMATION CONTAINED IN THIS DRAWING IS THE SOLE PROPERTY OF SOLVE IMG. ANY REPRODUCTION IN PART OR AS A WHOLE WITHOUT THE WRITTEN PERMISSION OF SOLVE IMG IS PROHIBITED.</small>			-

9 8 7 6 5 4 3 2 1