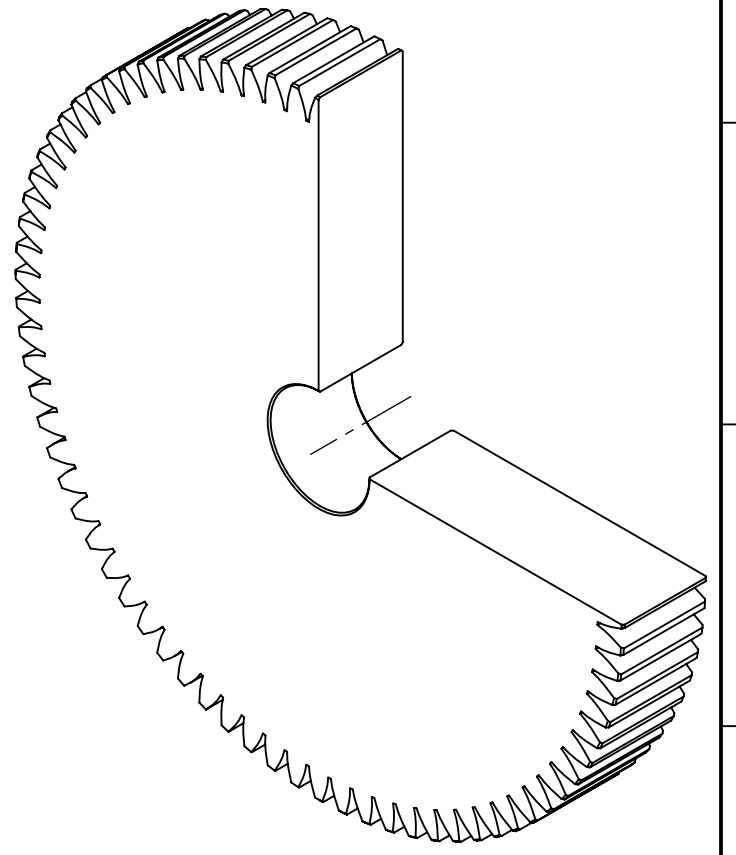
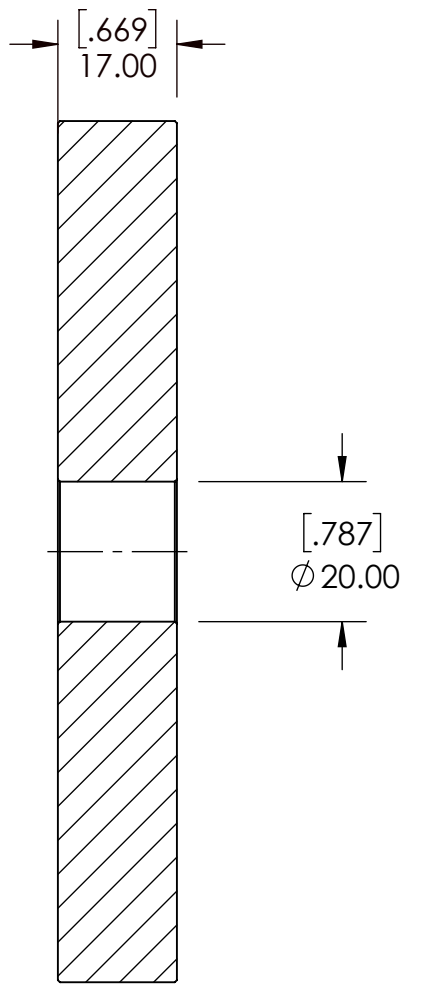
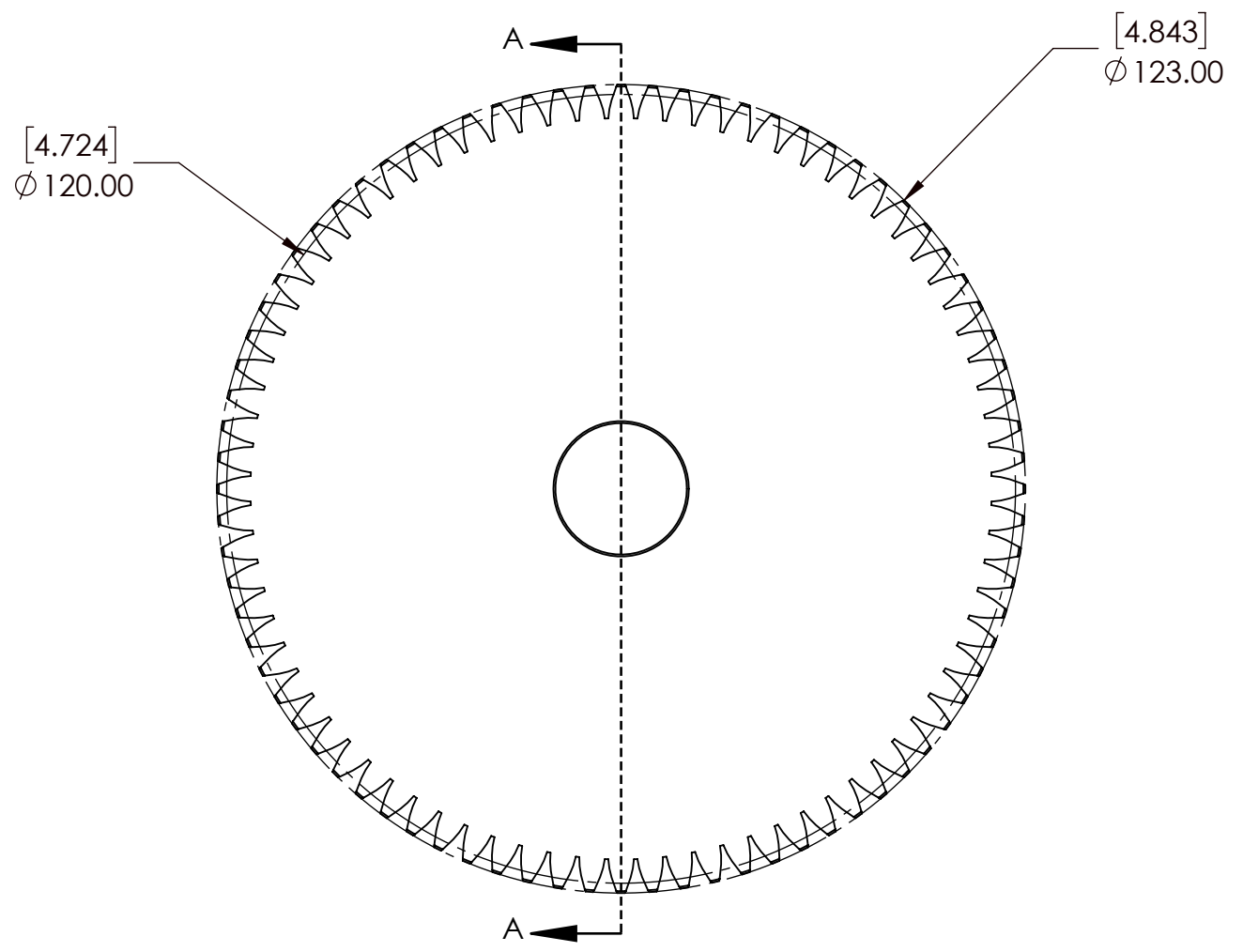


9 8 7 6 5 4 3 2 1

G  
F  
E  
D  
C  
B  
A

G  
F  
E  
D  
C  
B  
A



SPUR GEAR SPECIFICATIONS		SECTION A-A		WEIGHT		3.17 LBS	
UNITS	mm (INCH)	 INDUSTRIAL MOTION GROUP		MATERIAL	STEEL		
MODULE	1.5			COATING	N/A		
PRESSURE ANGLE	20°	 PTI		DRAWN	SEC	08/29/2025	
NUMBER OF TEETH	80			CHECKED	SEC	08/29/2025	
PITCH DIAMETER	120mm	DWG. NO.		APPROVED			DATE
HUB TYPE	A					BY	
MAX TORQUE (Nm)	65.12 Nm	PROPRIETARY AND CONFIDENTIAL THE INFORMATION CONTAINED IN THIS DRAWING IS THE SOLE PROPERTY OF SOLVE IMG. ANY REPRODUCTION IN PART OR AS A WHOLE WITHOUT THE WRITTEN PERMISSION OF SOLVE IMG IS PROHIBITED.		ITEM DESCRIPTION:			REVISION DESCRIPTION
TOOTH TYPE	STRAIGHT			M1.5A80			REV
MAX RIM SPEED	12 M/S						SCALE
							1:1
							REV
							-

9 8 7 6 5 4 3 2 1