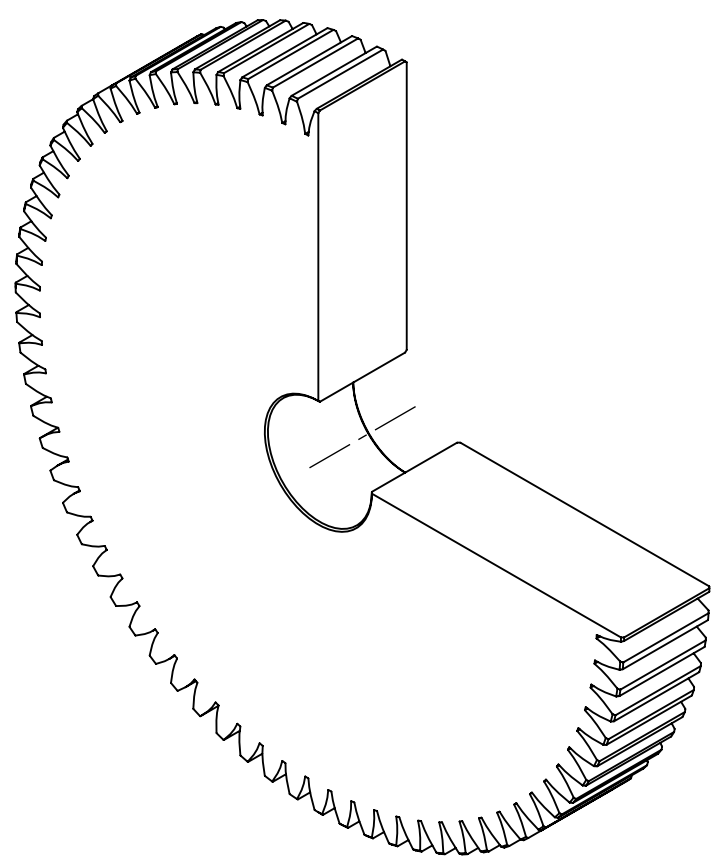
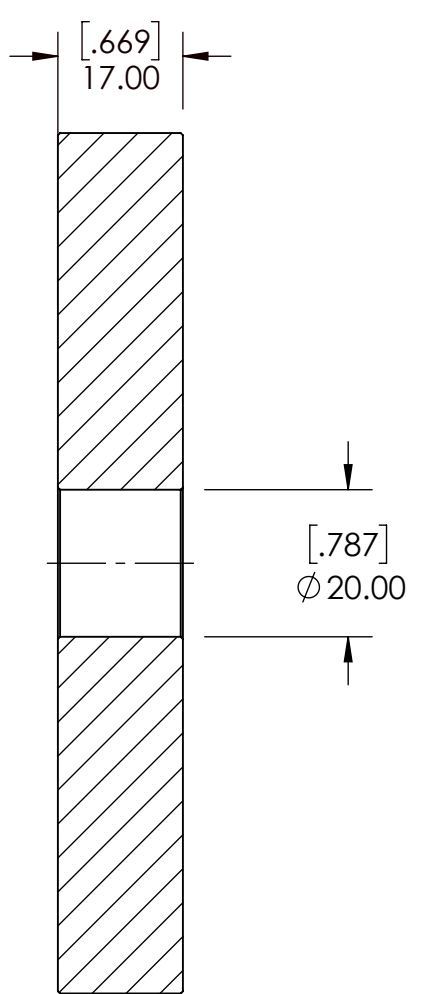
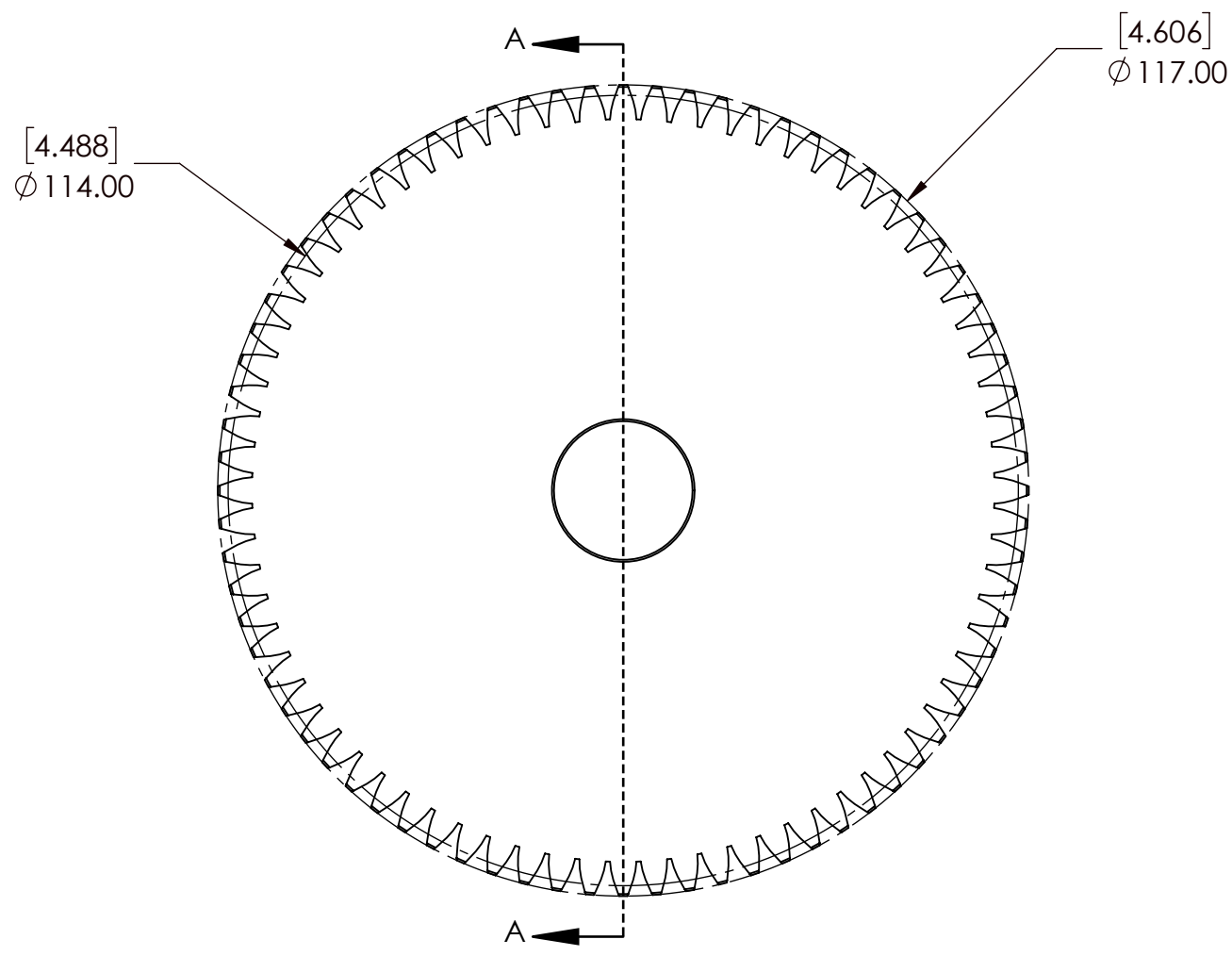


9 8 7 6 5 4 3 2 1

G F E D C B A



A B C D E F G

9 8 7 6 5 4 3 2 1

SPUR GEAR SPECIFICATIONS		SECTION A-A		WEIGHT		2.85 LBS				
UNITS	mm (INCH)	 INDUSTRIAL MOTION GROUP		MATERIAL	STEEL					
MODULE	1.5			COATING	N/A					
PRESSURE ANGLE	20°	 PTI		DRAWN	SEC	08/29/2025				
NUMBER OF TEETH	76			CHECKED	SEC	08/29/2025				
PITCH DIAMETER	114mm	DWG. NO.		APPROVED			DATE	BY	REVISION DESCRIPTION	REV
HUB TYPE	A			 THIRD ANGLE PROJECTION						
MAX TORQUE (Nm)	60.39 Nm	PROPRIETARY AND CONFIDENTIAL THE INFORMATION CONTAINED IN THIS DRAWING IS THE SOLE PROPERTY OF SOLVE IMG. ANY REPRODUCTION IN PART OR AS A WHOLE WITHOUT THE WRITTEN PERMISSION OF SOLVE IMG IS PROHIBITED.						ITEM DESCRIPTION:		M1.5A76
TOOTH TYPE	STRAIGHT									
MAX RIM SPEED	12 M/S									REV
										-