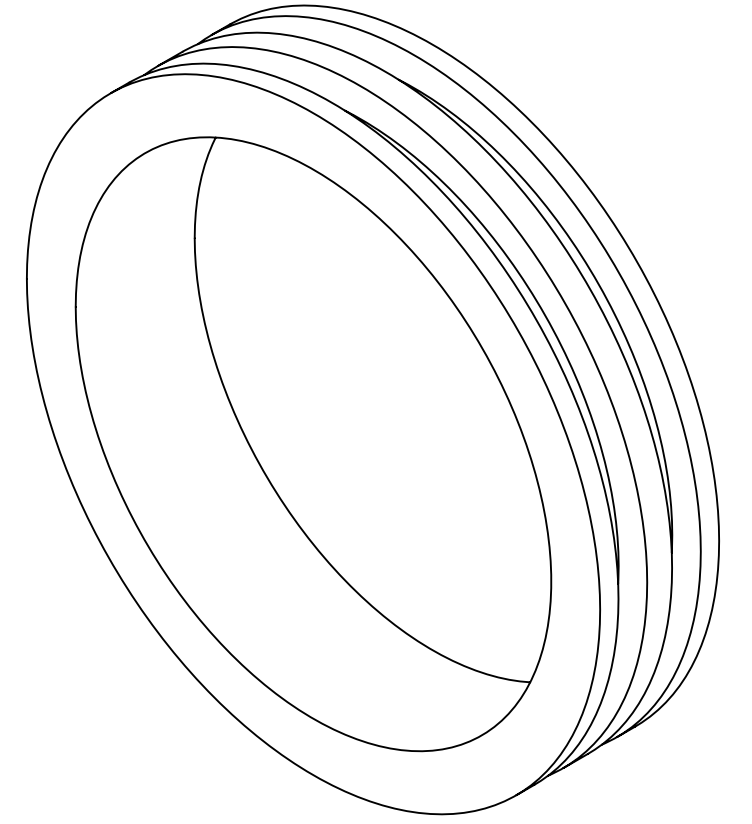
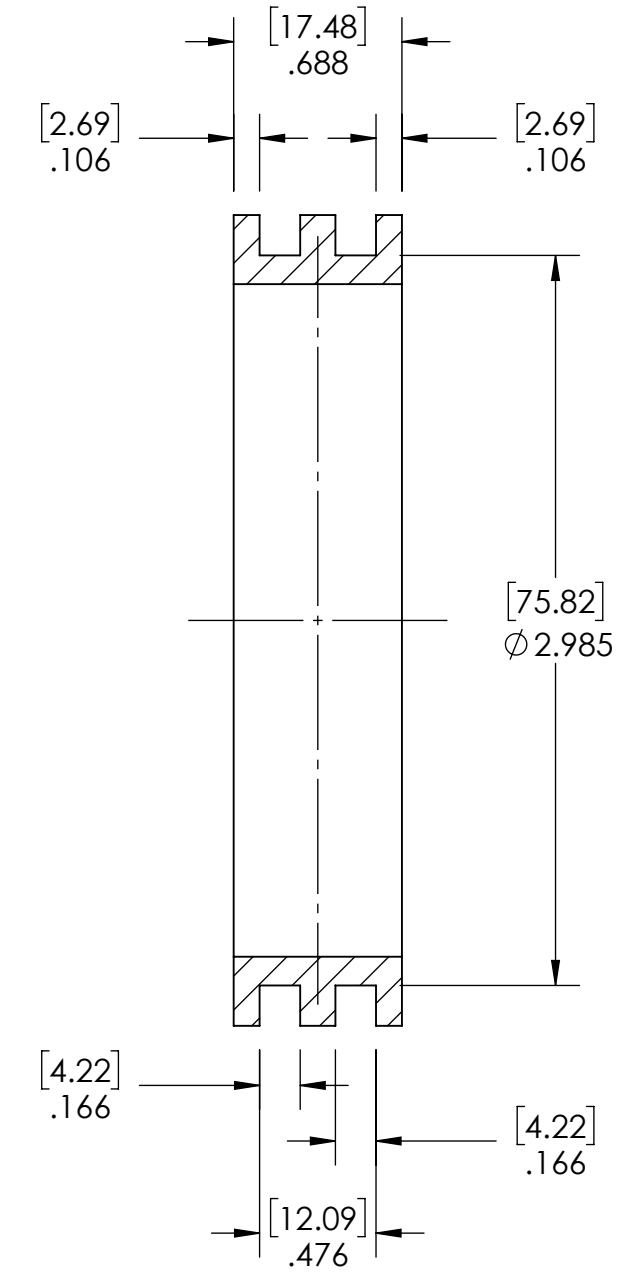
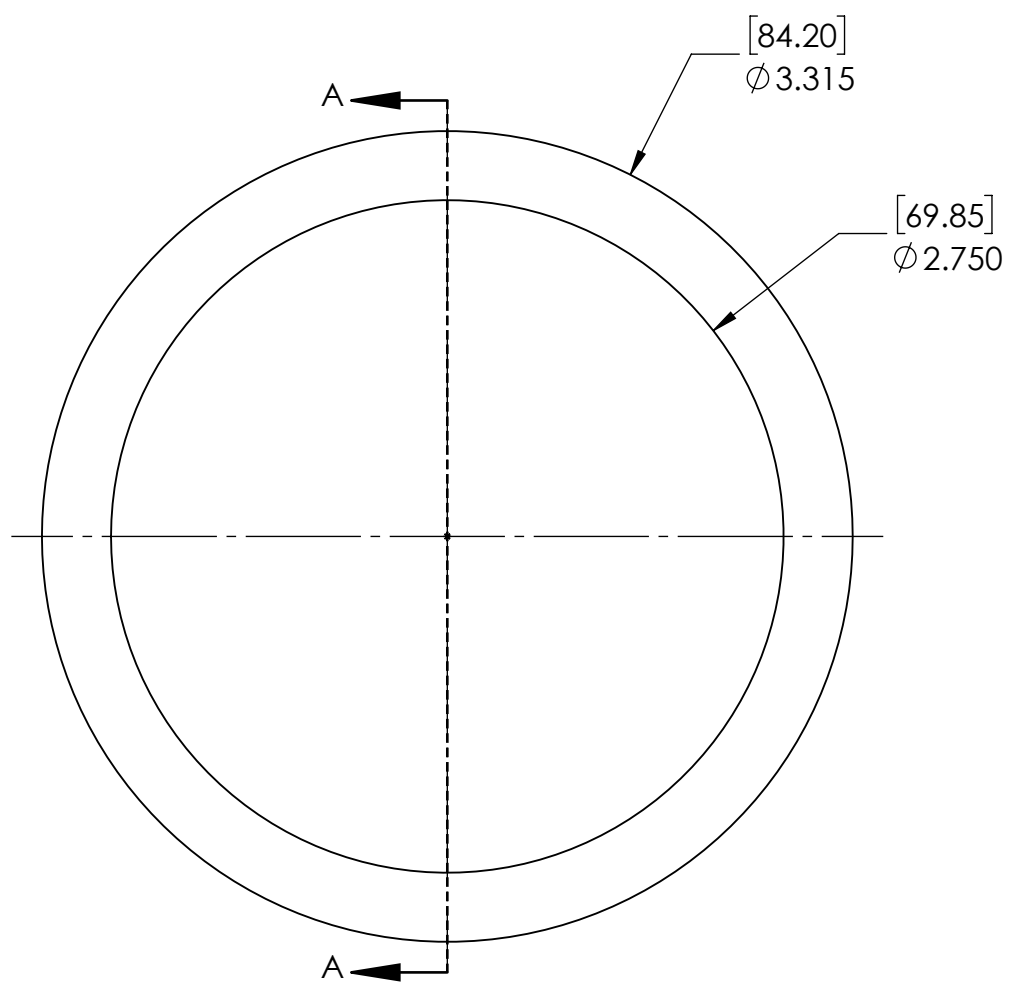


9 8 7 6 5 4 3 2 1

G F E D C B A



SECTION VIEW A-A

		WEIGHT	0.13 LBS					
		MATERIAL	ALUMINUM					
SIZE B		COATING	N/A					
		DRAWN	SEC	03/11/2025				
		CHECKED	PT	03/19/2025				
		APPROVED						
DWG. NO.				DATE	BY	REVISION DESCRIPTION		REV
		PROPRIETARY AND CONFIDENTIAL <small>THE INFORMATION CONTAINED IN THIS DRAWING IS THE SOLE PROPERTY OF SOLVE IMG. ANY REPRODUCTION IN PART OR AS A WHOLE WITHOUT THE WRITTEN PERMISSION OF SOLVE IMG IS PROHIBITED.</small>		ITEM DESCRIPTION:		LER45		SCALE 1:1 REV -

9 8 7 6 5 4 3 2 1

A