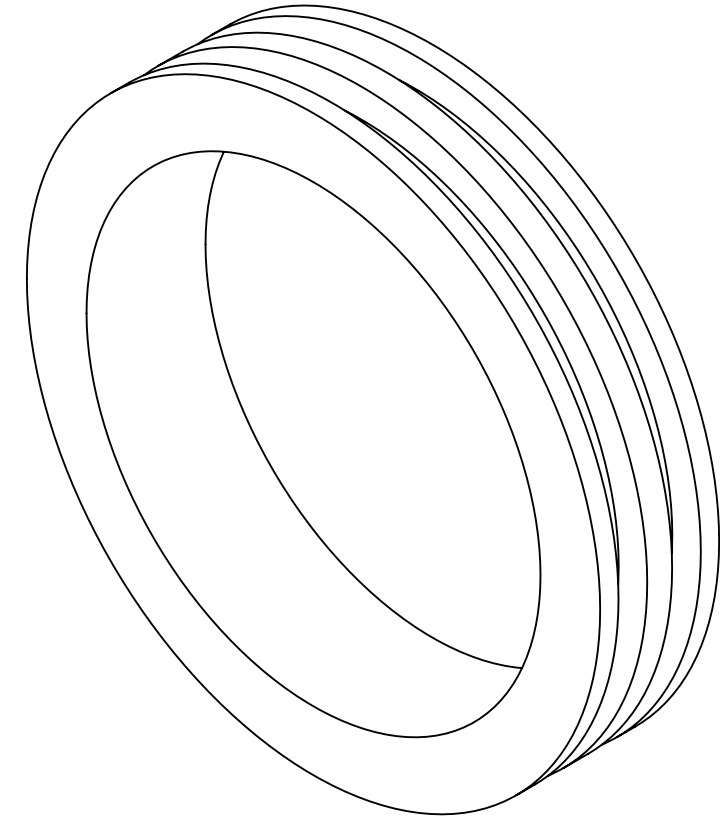
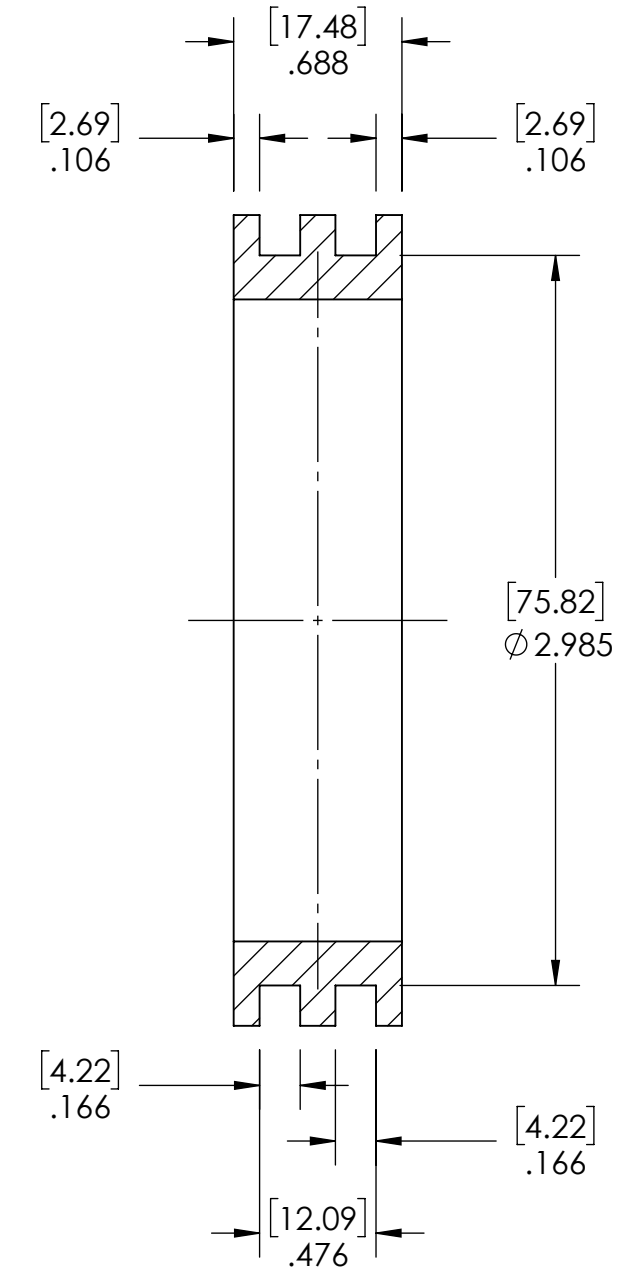
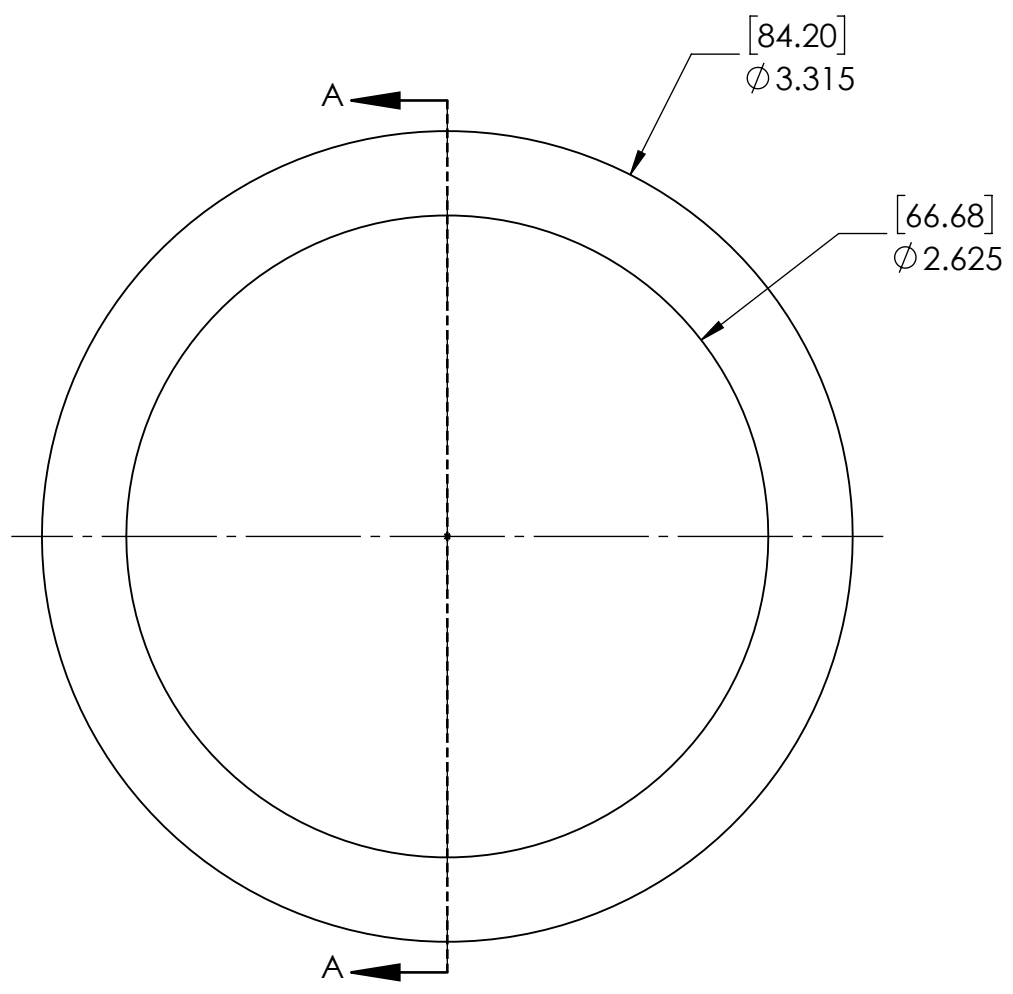


9 8 7 6 5 4 3 2 1

G F E D C B A



SECTION VIEW A-A

		WEIGHT	0.16 LBS				
		MATERIAL	ALUMINUM				
SIZE <b>B</b>		COATING	N/A				
		DRAWN	SEC	03/11/2025			
		CHECKED	PT	03/19/2025			
		APPROVED			DATE	BY	REVISION DESCRIPTION
DWG. NO.				ITEM DESCRIPTION:			SCALE
				PROPRIETARY AND CONFIDENTIAL <small>THE INFORMATION CONTAINED IN THIS DRAWING IS THE SOLE PROPERTY OF SOLVE IMG. ANY REPRODUCTION IN PART OR AS A WHOLE WITHOUT THE WRITTEN PERMISSION OF SOLVE IMG IS PROHIBITED.</small>			LER43
							REV
							-

9 8 7 6 5 4 3 2 1

A