



### Seal Options



B-type

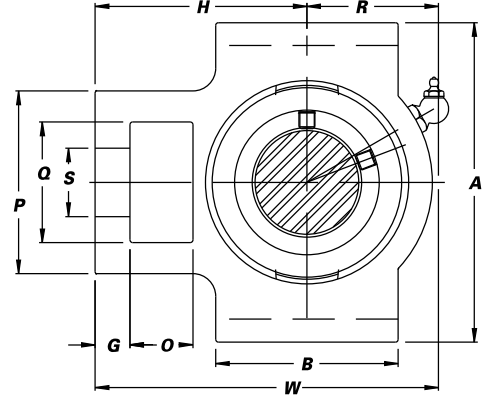
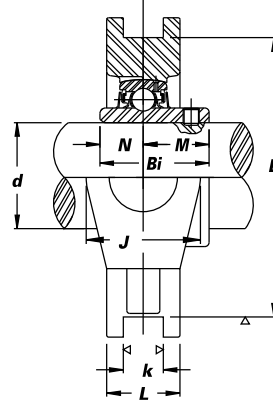


L3-type\*

\*Call for speed tolerances and available sizes

### Wide slot, set screw lock.

- » Wide inner race bearing with greater load carrying capacity than standard duty
- » Cast iron housing



Unit No.	Shaft Dia.		Dimensions (in.) (mm)															Bearing No.	Housing No.	Weight (lbs.)			
	d (in.)	d (mm)	O	G	P	Q	S	B	K	E	A	W	J	L	R	H	Bi				N	M	
UCT X05-14	7/8																				UC X05-14		
X05-15	15/16		5/8	13/32	27/32	115/32	55/64	21/4	17/32	31/2	41/32	47/16	115/32	13/32	111/16	23/4	1.5000	0.6260	0.8740	X05-15	T 206	3.1	
X05	1	25	16	10	56	37	22	57	13.5	88.9	102	113	37	28	43	70	38.1	15.9	22.2	X05			
X05-16	1																			X05-16			
UCT X06-18	11/8																				UC X06-18		
X06	30		5/8	1/2	217/32	115/32	55/64	217/32	17/32	31/2	41/32	53/32	115/32	13/16	2	31/16	1.6890	0.6890	1.0000	X06	T 207	3.7	
X06-19	13/16		16	13	64	37	22	64	13.5	88.9	102	129	37	30	51	78	42.9	17.5	25.4	X06-19			
X06-20	11/4																			207-20			
UCT X07-22	13/8																				UC X07-22		
X07	35		3/4	5/8	39/32	115/16	19/64	39/32	11/16	4	41/2	521/32	115/16	15/16	27/32	315/32	1.9370	0.7480	1.1890	X07	T 208	5.9	
X07-23	17/16		19	16	83	49	29	83	17.5	101.6	114	144	49	33	56	88	49.2	19.0	30.2	X07-23			
UCT X08-24	11/2																				UC X08-24		
X08	40		3/4	5/8	39/32	115/16	19/64	39/32	11/16	4	41/32	521/32	115/16	13/8	21/4	37/16	1.9370	0.7480	1.1890	X08	T 209	6.1	
UCT X09-26	15/8																				UC X09-26		
X09-27	111/16		3/4	5/8	39/32	115/16	19/64	39/8	11/16	4	41/32	57/8	115/16	115/32	25/16	317/32	2.0315	0.7480	1.2835	X09-27	T 210	6.4	
X09-28	13/4		19	16	83	49	29	86	17.5	101.6	117	149	49	37	59	90	51.6	19.0	32.6	X09-28			
X09	45																			X09			
UCT X10-30	17/8																				UC X10-30		
X10-31	115/16		1	3/4	41/32	217/32	13/8	33/4	11/16	51/8	53/4	623/32	217/32	11/2	29/16	43/16	2.1890	0.8740	1.3150	X10-31	T 211	9.7	
X10	50		25	19	102	64	35	95	27	130.2	146	171	64	38	65	106	55.6	22.2	33.4	X10			
X10-32	2																			211-32			
UCT X11-34	21/8																				UC X11-34		
X11	55		11/4	3/4	41/32	217/32	13/8	41/32	11/16	51/8	53/4	75/8	217/32	121/32	215/16	411/16	2.5630	1.0000	1.5630	X11	T 212	11.7	
X11-35	23/16		32	19	102	64	35	102	27	130.2	146	194	64	42	75	119	65.1	25.4	39.7	X11-35			
X11-36	21/4																			212-36			
UCT X12	60																				UC X12		
X12-38	23/8		11/4	13/16	43/8	23/4	139/64	43/4	11/16	515/16	69/16	813/16	23/4	123/32	37/16	513/32	2.5630	1.0000	1.5630	X12-38	T 213	16.3	
X12-39	27/16		32	21	111	70	41	121	27	150.8	167	224	70	44	87	137	65.1	25.4	39.7	X12-39			
UCT X13-40	21/2																				UC X13-40		
X13	65		11/4	13/16	43/8	23/4	139/64	43/4	11/16	515/16	69/16	813/16	23/4	113/16	37/16	513/32	2.9370	1.1890	1.7480	X13-40	T 214	16.7	
UCT X14-43	211/16																				UC X14-43		
X14-44	23/4		11/4	13/16	43/8	23/4	139/64	43/4	11/16	515/16	69/16	91/8	23/4	17/8	35/8	51/2	3.0630	1.3110	1.7520	X14-44	T 215	17.4	
X14	70		32	21	111	70	41	121	27	150.8	167	232	70	48	92	140	77.8	33.3	44.5	X14			
UCT X15-47	215/16																				UC X15-47		
X15	75		11/4	13/16	43/8	23/4	139/64	43/4	11/16	61/2	71/4	91/4	23/4	2	33/4	51/2	3.2520	1.3110	1.9410	X15	TX15	19.1	
X15-48	3		32	21	111	70	41	121	27	165	184	235	70	51	95	140	82.6	33.3	49.3	X15-48			
UCT X17	85																				UC X17		
X17-55	37/16		11/2	13/32	47/8	27/8	157/64	63/16	13/32	613/16	725/32	101/4	27/8	21/8	327/32	63/8	3.7795	1.5630	2.2165	X17-55	TX17	25.7	
X17-56	31/2		38	28	124	73	48	157	28	173	198	260	73	54	98	162	96.0	39.7	56.3	X17-56			

Interchange Page 95