

UCFX 4-BOLT FLANGE UNITS

MEDIUM DUTY



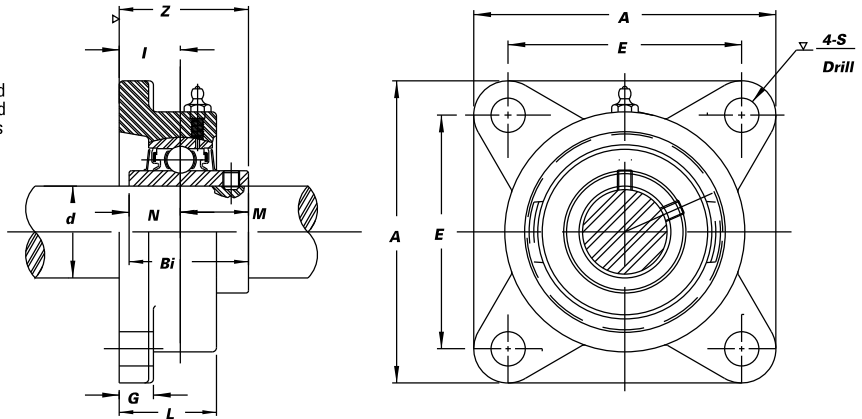
Seal Options



*Call for speed tolerances and available sizes

Set screw lock.

- » Wide inner race bearing with greater load carrying
- » Cast iron housing



Unit No.	Shaft Dia.		Dimensions (in./mm)										Bolt Used (in.)	Bearing No.	Housing No.	Weight (lbs.)
	d (in.)	d (mm)	A	E	I	G	L	S	Z	Bi	N	M				
UCF X05-14 X05-15 X05 X05-16	7/8 15/16 1	25	4 1/4 108	3 1/4 83	45/64 18	1/2 13	1 1/32 31	33/64 13	1 19/32 40.2	1.5000 38.1	0.6260 15.9	0.8740 22.2	7/16	UC X05-14 X05-15 X05 X05-16	F 206	2.6
UCF X06-18 X06 X06-19 X06-20	1 1/8 1 3/16 1 1/4	30	4 19/32 117	3 5/8 92	3/4 19	1 9/32 15	1 11/32 34	33/64 13	1 3/4 44.4	1.6890 42.9	0.6890 17.5	1.0000 25.4	7/16	UC X06-18 X06 X06-19 207-20	F 207	3.5
UCF X07-22 X07 X07-23	1 3/8 1 7/16	35	5 1/8 130	4 102	53/64 21	1 9/32 15	1 13/32 36	35/64 14	2 1/32 51.2	1.9370 49.2	0.7480 19.0	1.1890 30.2	1/2	UC X07-22 X07 X07-23	F 208	4.4
UCF X08-24 X08	1 1/2	40	5 13/32 137	4 1/8 105	55/64 22	5/8 16	1 1/2 38	5/8 16	2 1/16 52.2	1.9370 49.2	0.7480 19.0	1.1890 30.2	9/16	UC X08-24 X08	F 209	5.3
UCF X09-26 X09-27 X09-28 X09	1 5/8 1 11/16 1 3/4	45	5 5/8 143	4 3/8 111	55/64 22	5/8 16	1 9/16 40	5/8 16	2 5/32 54.6	2.0315 51.6	0.7480 19.0	1.2835 32.6	9/16	UC X09-26 X09-27 X09-28 X09	F 210	6.2
UCF X10-30 X10-31 X10 X10-32	1 7/8 1 15/16 2	50	6 1/2 165	5 1/8 130	63/64 25	2 3/32 18	1 11/16 43	43/64 17	2 5/16 58.4	2.1890 55.6	0.8740 22.2	1.3150 33.4	5/8	UC X10-30 X10-31 X10 211-32	F 211	8.4
UCF X11-34 X11 X11-35 X11-36	2 1/8 2 3/16 2 1/4	55	6 7/8 175	5 5/8 143	1 9/64 29	2 3/32 18	1 7/8 48	43/64 17	2 23/32 68.7	2.5630 65.1	1.0000 25.4	1.5630 39.7	5/8	UC X11-34 X11 X11-35 212-36	F 212	10.8
UCF X12 X12-38 X12-39	2 3/8 2 3/8 2 7/16	60	7 3/8 187	5 7/8 149	1 3/16 30	7/8 22	1 31/32 50	43/64 17	2 29/32 73.8	2.5630 65.1	1.0000 25.4	1.5630 39.7	5/8	UC X12 X12-38 X12-39	F 213	12.6
UCF X13-40 X13	2 1/2	65	7 3/8 187	5 7/8 149	1 11/32 34	1 3/16 21	2 5/16 59	2 1/32 17	3 3/32 78.5	2.9370 74.6	1.1890 30.2	1.7480 44.4	9/16	UC X13-40 X13	FX13	14.1
UCF X14-43 X14-44 X14	2 11/16 2 3/4	70	7 3/4 197	6 152	1 5/8 42	7/8 22	2 27/64 61	2 5/32 20	3 13/32 86.5	3.0630 77.8	1.3110 33.3	1.7520 44.5	1 1/16	UC X14-43 X14-44 X14	NF215	15.6
UCF X15-47 X15 X15-48	2 15/16 3	75	7 3/4 197	6 152	1 37/64 40	1 5/16 24	2 11/16 68	2 5/32 20	3 17/32 89.7	3.2520 82.6	1.3110 33.3	1.9410 49.3	1 1/16	UC X15-47 X15 X15-48	FX15	18.5
UCF X17 X17-55 X17-56	3 7/16 3 1/2	85	8 7/16 214	6 3/4 171	1 37/64 40	1 5/16 24	2 9/4 70	2 5/32 20	3 25/32 96.0	3.7795 96.0	1.5630 39.7	2.2165 56.3	1 1/16	UC X17 X17-55 X17-56	FX17	24.0
UCF X20 X20-63 X20-64	3 15/16 4	100	10 9/16 268	8 5/16 211	2 1/64 59	1 3/32 28	3 13/16 97	1 7/32 31	5 127	4.6260 117.5	1.9370 49.2	2.6890 68.3	1	UC X20 X20-63 X20-64	FX20	42.5

Interchange Page 95