

UCFCX 4-BOLT PILOTED FLANGE UNITS

MEDIUM DUTY



Seal Options



B-type

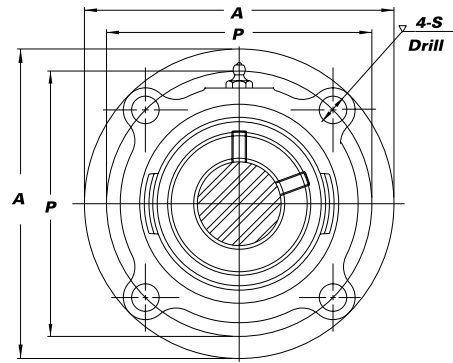
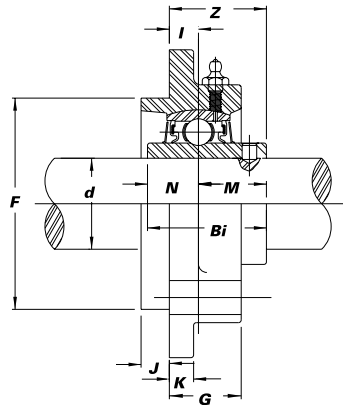


L3-type*

*Call for speed tolerances and available sizes

Set screw lock.

» Wide inner race bearing with greater load carrying capacity than standard duty



Unit No.	Shaft Dia.		Dimensions (in. (mm))											Bolt Used (in.)	Bearing No.	Housing No.	Weight (lbs.)			
	d (in.)	d (mm)	A	P	S	J	K	G	F	I	Z	Bi	N					M		
UCFC X05-14	7/8																	UC X05-14		
X05-15	15/16		4 3/8	3 7/8	3/8	15/64	3/8	15/16	3.000	25/64	1 9/32	1.5000	0.6260	0.8740				X05-15	FC X05	2.6
X05	1	25	111	92	9.5	6.0	9.5	24.0	76.2	10	32.2	38.1	15.9	22.2				X05		
X05-16	1																	X05-16		
UCFC X06-18	1 1/8																	UC X06-18		
X06	1 1/8	30	5	4 1/8	15/32	3/8	3/8	7/8	3.375	5/16	1 9/16	1.6890	0.6890	1.0000				X06	FC X06	3.3
X06-19	1 3/16		127	104.8	12.0	9.5	9.5	22.5	85.7	8	33.4	42.9	17.5	25.4				X06-19		
X06-20	1 1/4																	207-20		
UCFC X07-22	1 3/8																	UC X07-22		
X07	1 3/8	35	5 1/4	4 3/8	15/32	7/16	7/16	1 1/32	3.625	23/64	1 17/32	1.9370	0.7480	1.1890				X07	FC X07	4.2
X07-23	1 7/16		133	111	12.0	11.0	11.0	26.0	92.1	9	39.2	49.2	19.0	30.2				X07-23		
UCFC X08-24	1 1/2																	UC X08-24		
X08	1 1/2	40	5 1/4	4 3/8	15/32	7/16	7/16	1 1/32	3.625	23/64	1 17/32	1.9370	0.7480	1.1890				X08	FC X08	4.4
UCFC X09-26	1 5/8																	UC X09-26		
X09-27	1 11/16		6 3/32	5 1/8	35/64	15/32	7/16	1	4.250	5/16	1 19/32	2.0315	0.7480	1.2835				X09-27	FC X09	5.7
X09-28	1 3/4		155	130	14.0	12.0	11.0	25.0	108.0	8	40.6	51.6	19.0	32.6				X09-28		
X09	1 3/4	45																X09		
UCFC X10-30	1 7/8																	UC X10-30		
X10-31	1 15/16		6 3/8	5 3/8	35/64	5/8	7/16	1	4.500	9/32	1 19/32	2.1890	0.8740	1.3150				X10-31	FC X10	7.0
X10	1 15/16	50	162	136.5	14.0	16.0	11.0	25.0	114.3	7	40.4	55.6	22.2	33.4				X10		
X10-32	2																	211-32		
UCFC X11-34	2 1/8																	UC X11-34		
X11	2 1/8	55	7 3/32	6	5/8	55/64	1/2	1 1/32	5.000	5/32	1 23/32	2.5630	1.0000	1.5630				X11	FC X11	9.5
X11-35	2 3/16		180	152.4	16.0	22.0	13.0	26.0	127.0	4	43.7	65.1	25.4	39.7				X11-35		
X11-36	2 1/4																	212-36		
UCFC X12	60																	UC X12		
X12-38	2 3/8		7 5/8	6 1/2	5/8	25/32	9/16	1 5/16	5.500	7/16	2	2.5630	1.0000	1.5630				X12-38	FC X12	11.7
X12-39	2 7/16		194	165	16.0	20.0	14.0	33.0	139.7	11	50.7	65.1	25.4	39.7				X12-39		
UCFC X13-40	2 1/2																	UC X13-40		
X13	2 1/2	65	7 5/8	6 1/2	5/8	25/32	9/16	1 5/16	5.500	7/16	2 3/16	2.9370	1.1890	1.7480				X13	FC X13	12.5
UCFC X15-47	2 15/16																	UC X15-47		
X15	2 15/16	75	8 3/4	7 1/2	3/4	55/64	5/8	1 3/8	6.375	15/32	2 13/32	3.2520	1.3110	1.9410				X15	FC X15	17.6
X15-48	3		222	190.5	19.0	22.0	16.0	35.0	161.9	12	61.3	82.6	33.3	49.3				X15-48		
UCFC X17	85																	UC X17		
X17-55	3 7/16		10 1/4	8 5/8	29/32	63/64	3/4	1 13/32	7.375	25/64	2 5/8	3.7795	1.5630	2.2165				X17-55	FC X17	28.4
X17-56	3 1/2		260	219	23.0	25.0	19.0	36.0	187.3	10	66.3	96.0	39.7	56.3				218-56		
UCFC X20	100																	UC X20		
X20-63	3 15/16		10 7/8	9 3/8	29/32	1 7/64	7/8	2 19/32	8.125	55/64	3 9/16	4.6260	1.9370	2.6890				X20-63	FC X20	40.0
X20-64	4		276	238	23.0	28.0	22.0	66.0	206.4	22	90.3	117.5	49.2	68.3				X20-64		

Interchange Page 95