

UCFCF 4-BOLT PILOTED FLANGE UNITS



Seal Options



B-type

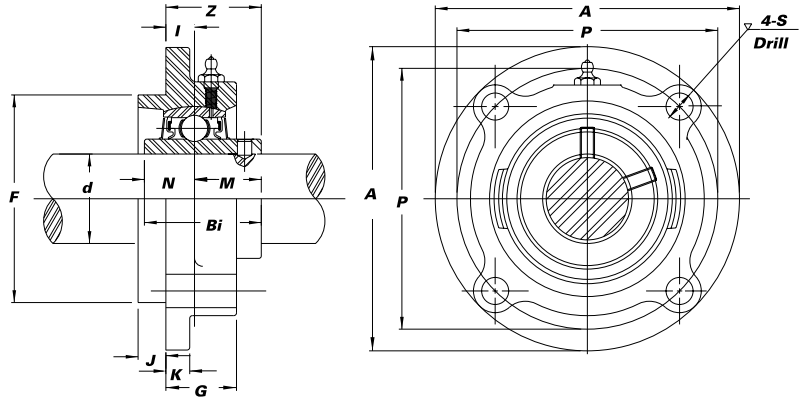


L3-type*

*Call for speed tolerances and available sizes

Set screw lock.

- » Cast iron housing
- » Wide inner race bearing
- » Available with eccentric locking collar bearing



Unit No.	Shaft Dia.		Dimensions (in.) (mm)											Bolt Used (in.)	Bearing No.	Housing No.	Weight (lbs.)	
	d (in.)	d (mm)	A	P	S	J	K	G	F	I	Z	Bi	N					M
UCFCF 205-14 205-15 205 205-16	7/8 15/16 1	25	4 3/8 111	3 3/8 92.1	1 3/32 10.3	1/4 6	3/8 10	55/64 22	3.000 76.2	7/16 11	1 1/32 31.0	1.3386 34.0	0.5630 14.3	0.7756 19.7	5/16	UC 205-14 205-15 205 205-16	FCF 205	2.6
UCFCF 206-17 206-18 206 206-19 206-20	1 1/16 1 1/8 1 3/16 1 1/4 S	30	5 127	4 1/8 104.8	15/32 11.9	27/64 11	3/8 10	25/32 20	3.375 85.7	19/64 7.5	1 11/64 29.8	1.5000 38.1	0.6260 15.9	0.8740 22.2	3/8	UC 206-17 206-18 206 206-19 206-20	FCF 206	3.9
UCFCF 207-20 207-21 207-22 207 207-23	1 1/4 1 5/16 1 3/8 1 7/16	35	5 1/4 133	4 3/8 111.1	15/32 11.9	15/32 12	1/2 12	7/8 22	3.625 92.1	9/32 7	1 9/32 32.5	1.6890 49.9	0.6890 17.5	1.0000 25.4	3/8	UC 207-20 207-21 207-22 207 207-23	FCF 207	4.2
UCFCF 208-24 208-25 208	1 1/2 1 9/16	40	5 1/4 133	4 3/8 111.1	15/32 11.9	15/32 12	1/2 12	1 1/32 26	3.625 92.1	3/8 9.5	1 9/16 39.7	1.9370 49.2	0.7480 19.0	1.1890 30.2	3/8	UC 208-24 208-25 208	FCF 208	4.6
UCFCF 209-26 209-27 209-28 209	1 5/8 1 11/16 1 3/4 1 7/8	45	6 1/8 156	5 1/8 130.2	17/32 13.5	15/32 12	29/64 12	7/8 22	4.250 108.0	7/32 5.5	1 13/32 35.7	1.9370 49.2	0.7480 19.0	1.1890 30.2	7/16	UC 209-26 209-27 209-28 209	FCF 209	6.2
UCFCF 210-30 210-31 210 210-32	1 7/8 1 15/16 2 2 S	50	6 3/8 162	5 3/8 136.5	17/32 13.5	5/8 16	1/2 12	1 1/16 27	4.500 114.3	1 1/32 9	1 5/8 41.3	2.0315 51.6	0.7480 19.0	1.2835 32.6	7/16	UC 210-30 210-31 210 210-32	FCF 210	7.0
UCFCF 211-32 211-34 211 211-35	2 2 1/8 2 1/4 2 3/16	55	7 1/8 181	6 152.4	19/32 15.1	7/8 22	1/2 12	7/8 22	5.000 127.0	7/32 5.5	1 17/32 38.9	2.1890 55.6	0.8740 22.2	1.3150 33.4	1/2	UC 211-32 211-34 211 211-35	FCF 211	9.1

Interchange Page 95