

# NICKEL PLATED TAPPED BASE PILLOW BLOCKS

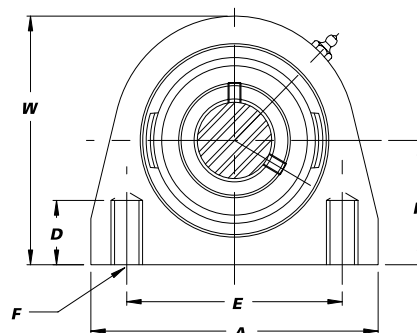
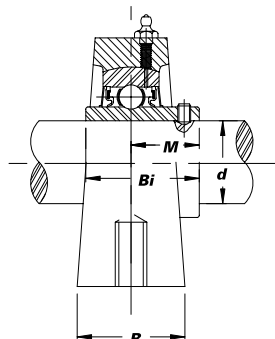


## Seal Options



## Optional bearing inserts: Stainless Steel-SUCNPPA Hard Chrome Coated-CUCNPPA

- » Available with locking collar bearings
- » Overview of corrosion resistant products – pg. 47-48



Unit No.	Shaft Dia.		Dimensions (in.) (mm)									Bearing No.	Housing No.	Weight (lbs.)
	d (in.)	d (mm)	H	A	E	B	W	F-Tapped Holes	D-Min Tap Depth	M	Bi			

### SUCNPPA with Stainless Steel Bearing Inserts

SUCNPPA 201-8	1/2												SUC 201-8		
202-10	5/8	15/16	27/8	2	1 1/2	29/16	3/8"-16	1/2	0.7205	1.2205	SUC 202-10				
204-12	3/4	33.3	73	50.8	38	65	UNC	13	18.3	31.0	204-12	NPPA 204	1.4		
204	20										204				
SUCNPPA 205-14	7/8												SUC 205-14		
205	25	17/16	3	2	1 1/2	2 13/16	3/8"-16	1/2	0.7756	1.3386	205	NPPA 205	1.6		
205-16	1	36.5	76	50.8	38	71	UNC	13	19.7	34.0	205-16				
SUCNPPA 206-18	1 1/8												SUC 206-18		
206	30	1 11/16	4	3	1 1/2	3 3/8	7/16"-14	5/8	0.8740	1.5000	206	NPPA 206	2.6		
206-19	1 3/16	42.9	102	76.2	38	86	UNC	16	22.2	38.1	206-19				
206-20	1 1/4 S										206-20				
SUCNPPA 207-20	1 1/4												SUC 207-20		
207-21	1 3/16										207-21				
207-22	1 3/8	17/8	4 1/4	3 1/4	1 7/8	3 3/4	1/2"-13	3/4	1.0000	1.6890	207-22	NPPA 207	3.6		
207	35	47.6	108	82.6	48	95	UNC	19	25.4	42.9	207				
207-23	1 7/16										207-23				
SUCNPPA 208-24	1 1/2												SUC 208-24		
208	40	1 15/16	4 5/8	3 1/2	1 7/8	3 15/16	1/2"-13	3/4	1.1890	1.9370	208	NPPA 208	4.0		
SUCNPPA 209-27	1 11/16												SUC 209-27		
209-28	1 3/4	2 1/8	5	3 3/4	2	4 1/4	1/2"-13	3/4	1.1890	1.9370	209-28	NPPA 209	5.0		
209	45	54.0	127	95.3	51	108	UNC	19	30.2	49.2	209				
SUCNPPA 210-31	1 15/16												SUC 210-31		
210	50	2 1/4	5 1/2	4	2	4 5/8	5/8"-11	7/8	1.2835	2.0315	210	NPPA 210	5.9		
210-32	2s	57.2	140	101.6	51	117	UNC	22	32.6	51.6	210-32				

### CUCNPPA with Hard Chrome Coated Bearing Inserts

CUCNPPA 204-12	3/4												CUC 204-12		
204	20	15/16	27/8	2	1 1/2	29/16	3/8"-16	1/2	0.7205	1.2205	204	NPPA 204	1.4		
CUCNPPA 205-14	7/8												CUC 205-14		
205	25	17/16	3	2	1 1/2	2 13/16	3/8"-16	1/2	0.7756	1.3386	205	NPPA 205	1.6		
205-16	1	36.5	76	50.8	38	71	UNC	13	19.7	34.0	205-16				
CUCNPPA 206-18	1 1/8												CUC 206-18		
206	30	1 11/16	4	3	1 1/2	3 3/8	7/16"-14	5/8	0.8740	1.5000	206	NPPA 206	2.6		
206-19	1 3/16	42.9	102	76.2	38	86	UNC	16	22.2	38.1	206-19				
206-20	1 1/4 S										206-20				
CUCNPPA 207-20	1 1/4												CUC 207-20		
207-22	1 3/8	17/8	4 1/4	3 1/4	1 7/8	3 3/4	1/2"-13	3/4	1.0000	1.6890	207-22	NPPA 207	3.6		
207	35	47.6	108	82.6	48	95	UNC	19	25.4	42.9	207				
207-23	1 7/16										207-23				
CUCNPPA 208-24	1 1/2												CUC 208-24		
208	40	1 15/16	4 5/8	3 1/2	1 7/8	3 15/16	1/2"-13	3/4	1.1890	1.9370	208	NPPA 208	4.0		
CUCNPPA 209-27	1 11/16												CUC 209-27		
209-28	1 3/4	2 1/8	5	3 3/4	2	4 1/4	1/2"-13	3/4	1.1890	1.9370	209-28	NPPA 209	5.0		
209	45	54.0	127	95.3	51	108	UNC	19	30.2	49.2	209				
CUCNPPA 210-31	1 15/16												CUC 210-31		
210	50	2 1/4	5 1/2	4	2	4 5/8	5/8"-11	7/8	1.2835	2.0315	210	NPPA 210	5.9		
210-32	2s	57.2	140	101.6	51	117	UNC	22	32.6	51.6	210-32				