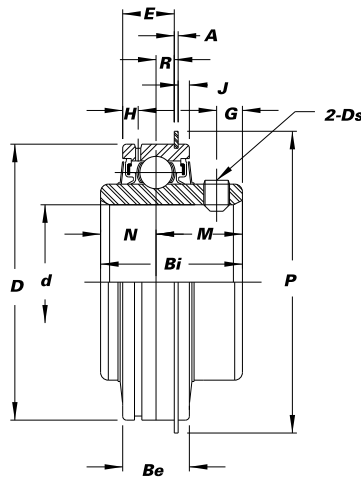


STAINLESS STEEL BEARING INSERTS



Seal Options



SSER Set screw lock with snap ring.

Balls & Rings	440 Stainless Steel
Set Screws	410 Stainless Steel
Slinger & Seal Frame	302 Stainless Steel
Retainer	302 Stainless Steel
Seal	Silicone Rubber
Lubrication	H-1 Food Grade Grease

» Overview of corrosion resistant products – pg. 47-48

Bearing No.	Bore Dia. of Bearing		Dimensions (in.) (mm)											Basic Load Rating (lbs.)	Basic Static Load Rating (lbs.)	Weight (lbs.)		
	<i>d</i>	<i>d</i>	<i>D</i>	<i>Bi</i>	<i>Be</i>	<i>N</i>	<i>M</i>	<i>E</i>	<i>A</i>	<i>H</i>	<i>R</i>	<i>J</i>	<i>P</i>				<i>G</i>	<i>Ds</i> (in.)
SSER 201-8	1/2		1.8504	1.2188	0.6250	0.4063	0.8125	0.4844	0.0469	0.1719	0.1719	0.0938	2.0625	0.1875	1/4-28UNF	2,440	1,220	0.49
202-10	5/8		47.0	31.0	15.9	10.3	20.6	12.30	1.19	4.4	4.37	2.38	52.4	4.8				
204-12	3/4																	
204	20																	
SSER 205-14	7/8		2.0472	1.3750	0.7500	0.5156	0.8594	0.6094	0.0469	0.2031	0.2344	0.0938	2.2656	0.2188	1/4-28UNF	2,670	1,440	0.60
205	25		52.0	34.9	19.1	13.1	21.8	15.48	1.19	5.2	5.95	2.38	57.5	5.6				
205-16	1																	
SSER 206-18	1 1/8		2.4409	1.5000	0.8661	0.6260	0.8740	0.6760	0.6550	0.2165	0.2421	0.1252	2.6575	0.2362	1/4-28UNF	3,710	2,020	0.86
206	30		62.0	38.1	22.0	15.9	22.2	17.17	1.65	5.5	6.15	3.18	67.5	6.0				
206-19	1 3/16																	
206-20	1 1/4S																	
SSER 207-20	1 1/4		2.8346	1.6890	0.9449	0.6890	1.0000	0.7547	0.0650	0.2165	0.2815	0.1252	3.0906	0.2559	5/16-24UNF	4,930	2,780	1.39
207-22	1 3/8		72.0	42.9	24.0	17.5	25.4	19.17	1.65	5.5	7.15	3.18	78.4	6.5				
207	35																	
207-23	1 7/16																	
SSER 208-24	1 1/2		3.1496	1.9370	1.1024	0.7480	1.1890	0.9122	0.0650	0.2362	0.3602	0.1252	3.4016	0.3150	5/16-24UNF	5,660	3,300	1.79
208	40		80.0	49.2	28.0	19.0	30.2	23.17	1.65	6.0	9.15	3.18	86.4	8.0				