

# STAINLESS STEEL BEARING INSERTS



## Seal Options

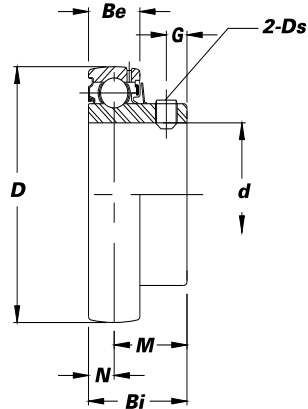


B-type Seal (front)



K-type Seal (back)

Call for available sizes for each seal option.



## SSB Set screw lock with narrow inner race relubricatable.

Balls & Rings	440 Stainless Steel
Seal	Silicone Rubber
Slinger & Seal Frame	302 Stainless Steel
Retainer	302 Stainless Steel
Set Screws	304 Stainless Steel
Lubrication	H-1 Food Grade Grease

Bearing No.	Bore Dia. of Bearing		Dimensions (in.) (mm)							Basic Load Rating (lbs.)	Basic Static Load Rating (lbs.)	Weight (lbs.)
	<i>d</i>		<i>Be</i>	<i>D</i>	<i>Bi</i>	<i>N</i>	<i>M</i>	<i>G</i>	<i>Ds</i>			
SSB 201-8 202-10	1/2 5/8		0.4724 12.0	1.5748 40.0	0.8661 22.0	0.2362 6.0	0.6299 16.0	0.1575 4.0	10-32UNF	1,770	830	0.22
SSB 204-12 204	3/4	20	0.5512 14.0	1.8504 47.0	0.9843 25.0	0.2756 7.0	0.7087 18.0	0.1969 5.0	1/4-28UNF	2,440	1,220	0.33
SSB 205-14 205 205-16	7/8 1	25	0.5906 15.0	2.0472 52.0	1.0630 27.0	0.2953 7.5	0.7677 19.5	0.2165 5.5	1/4-28UNF	2,670	1,440	0.40
SSB 206-18 206 206-19 206-20	1 1/8 1 3/16 1 1/4S	30	0.6299 16.0	2.4409 62.0	1.1417 29.0	0.3150 8.0	0.8267 21.0	0.2362 6.0	1/4-28UNF	3,710	2,020	0.60
SSB 207-20 207-22 207 207-23	1 1/4 1 3/8 1 7/16	35	0.6693 17.0	2.8346 72.0	1.2598 32.0	0.3346 8.5	0.9252 23.5	0.2362 6.0	5/16-24UNF	4,930	2,780	0.93