

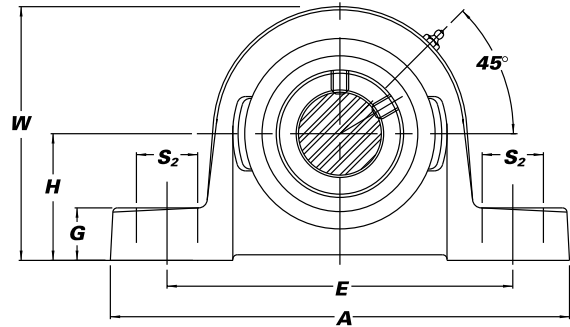
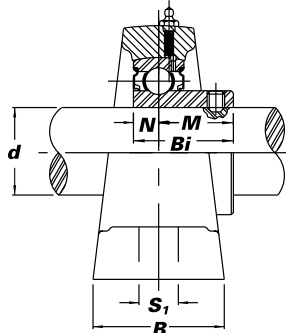
SBP & SBPL PILLOW BLOCKS



Seal Options



- » Cast iron housing
- » Narrow inner race bearing with set screw lock



Unit No.	Shaft Dia.		Dimensions (in.) (mm)											Bolt Used (in.)	Bearing No.	Housing No.	Weight (lbs.)
	d (in.)	d (mm)	H	A	E	B	S ₂	S ₁	G	W	Bi	N	M				

SBP High shaft height

SBP 201		12													SB 201G		
201-8	1/2	15	1 3/16	4 7/8	3 5/8	17/16	3/4	7/16	17/32	2 23/64	0.8661	0.2362	0.6299	3/8	SB 201-8G		
202		15	30.2	124	92	37	19	11	13	60	22.0	6.0	16.0		202G	P 203	1.4
202-10	5/8	17													202-10G		
203		17													203G		
SBP 204-12	3/4	20	1 5/16	5	3 3/4	1 1/2	11/16	7/16	9/16	2 19/32	0.9843	0.2756	0.7087	3/8	SB 204-12G	P 204	1.6
204		20	33.3	127	95	38	17	11	14	66	25.0	7.0	18.0		204G		
SBP 205-14	7/8	25	1 7/16	5 1/2	4 1/8	1 1/2	11/16	1/2	5/8	2 27/32	1.0630	0.2953	0.7677	3/8	SB 205-14G		
205-15	15/16	25	36.5	140	105	38	17	13	16	72	27.0	7.5	19.5		205G	P 205	1.9
205		25													205G		
205-16	1	25													205-16G		
SBP 206-17	1 1/16	30	1 11/16*	6 5/16	4 3/4	1 3/4	13/16	9/16	1 1/16	3 19/64	1.1811	0.3150	0.8661	1/2	SB 206-17G		
206-18	1 1/8	30	42.9	160	121	44	21	14	18	84	30.0	8.0	22.0		206G	P 206	2.8
206		30													206G		
206-19	1 3/16	30													206-19G		
206-20	1 1/4S	30													206-20G		
SBP 207-20	1 1/4	35													SB 207-20G		
207-21	1 5/16	35	1 7/8	6 17/32	5	1 29/32	7/8	9/16	3/4	3 11/16	1.2992	0.3740	0.9252	1/2	207-21G		
207-22	1 3/8	35	47.6	166	127	48	22	14	19	94	33.0	9.5	23.5		207-22G	P 207	3.7
207		35													207G		
207-23	1 7/16	35													207-23G		
SBP 208-24	1 1/2	40	1 15/16**	7 1/8	5 7/16	2	7/8	9/16	13/16	4	1.4173	0.4331	0.9843	1/2	SB 208-24G	P 208	4.9
208		40	49.2	181	137	51	22	14	21	102	36.0	11.0	25.0		208G		

SBPL Low shaft height

SBPL 201		12													SB 201G		
201-8	1/2	15	1 1/16	4 7/8	3 5/8	1 7/16	3/4	7/16	17/32	2 15/64	0.8661	0.2362	0.6299	3/8	SB 201-8G		
202		15	27	124	92	37	19	11	13	57	22.0	6.0	16.0		202G	PL 203	1.3
202-10	5/8	17													202-10G		
203		17													203G		
SBPL 204-12	3/4	20	1 1/4	5	3 3/4	1 1/2	9/16	7/16	9/16	2 1/2	0.9843	0.2756	0.7087	3/8	SB 204-12G	PL 204	1.5
204		20	31.8	127	95	38	14	11	14	64	25.0	7.0	18.0		204G		
SBPL 205-14	7/8	25	1 5/16	5 1/2	4 1/8	1 1/2	11/16	7/16	5/8	2 45/64	1.0630	0.2953	0.7677	3/8	SB 205-14G		
205-15	15/16	25	33.3	140	105	38	18	11	16	69	27.0	7.5	19.5		205G	PL 205	1.8
205		25													205G		
205-16	1	25													205-16G		
SBPL 206-17	1 1/16	30	1 9/16	6 11/32	4 3/4	1 3/4	13/16	9/16	1 1/16	3 3/32	1.1811	0.3150	0.8661	1/2	SB 206-17G		
206-18	1 1/8	30	39.7	161	121	45	21	14	18	80	30.0	8.0	22.0		206G	PL 206	2.8
206		30													206G		
206-19	1 3/16	30													206-19G		
206-20	1 1/4S	30													206-20G		
SBPL 207-20	1 1/4	35													SB 207-20G		
207-21	1 5/16	35	1 13/16	6 19/32	5	1 7/8	7/8	9/16	25/32	3 21/32	1.2992	0.3740	0.9252	1/2	207-21G		
207-22	1 3/8	35	46.0	167	127	48	22	14	20	93	33.0	9.5	23.5		207-22G	PL 207	3.6
207		35													207G		
207-23	1 7/16	35													207-23G		
SBPL 208-24	1 1/2	40	1 15/16	7 1/8	5 7/16	2	7/8	9/16	13/16	4	1.4173	0.4331	0.9843	1/2	SB 208-24G	P 208	4.9
208		40	49.2	181	137	51	22	14	21	102	36.0	11.0	25.0		208G		

Interchange Page 95 *Also available 1 5/8" **Also available 2 1/8"