

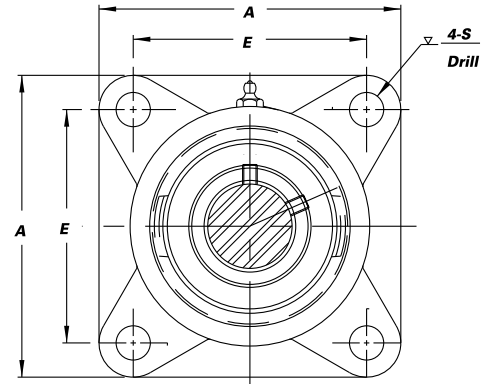
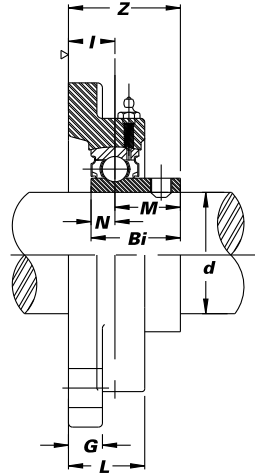
SBF 4-BOLT FLANGE UNITS



Seal Options



- » Cast iron housing
- » Narrow inner race bearing
- » Set screw lock



Unit No.	Shaft Dia.		Dimensions (in.) (mm)										Bolt Used	Bearing No.	Housing No.	Weight (lbs.)			
	d (in.)	d (mm)	A	E	I	G	L	S	Z	Bi	N	M							
SBF 201		12															SB 201G		
201-8	1/2																201-8G		
202		15	3	2 7/8	2 1/32	3/8	1 3/32	7/16	1 9/32	0.8661	0.2362	0.6299	3/8				202G	F 203	1.1
202-10	5/8			54	16.7	10	28	11	32.7	22.0	6.0	16.0					202-10G		
203		17															203G		
SBF 204-12	3/4		3 3/8	2 1/2	1 9/32	7/16	1	7/16	1 19/64	0.9843	0.2750	0.7087	3/8				SB 204-12G	F 204	1.4
204		20	86	64	15	11	25.4	11	33	25.0	7.0	18.0				204G			
SBF 205-14	7/8																SB 205-14G		
205-15	1 5/16		3 3/4	2 3/4	5/8	1/2	1 1/16	2 9/64	1 25/64	1.0630	0.2953	0.7677	3/8				205-15G	F 205	1.8
205		25	95	70	16	13	27	11.5	35.3	27.0	7.5	19.5				205G			
205-16	1																205-16G		
SBF 206-17	1 1/16																SB 206-17G		
206-18	1 1/8																206-18G		
206		30	4 1/4	3 1/4	4 5/64	1/2	1 7/32	3 3/64	1 37/64	1.1811	0.3150	0.8661	7/16				206G	F 206	2.2
206-19	1 3/16		108	83	18	13	31	13	40.1	30.0	8.0	22.0					206-19G		
206-20	1 1/4S																206-20G		
SBF 207-20	1 1/4																SB 207-20G		
207-21	1 5/16		4 19/32	3 5/8	3/4	1 9/32	1 11/32	3 3/64	1 49/64	1.2992	0.3740	0.9252	7/16				207-21G	F 207	3.0
207-22	1 3/8		117	92	19	15	34	13	42.5	33.0	9.5	23.5					207-22G		
207		35															207G		
207-23	1 7/16																207-23G		
SBF 208-24	1 1/2		5 1/8	4	5 3/64	1 9/32	1 13/32	3 5/64	1 13/16	1.4173	0.4331	0.9843	1/2				SB 208-24G	F 208	4.1
208-25	1 9/16		130	102	21	15	36	14	46.0	36.0	11.0	25.0					208-25G		
208		40															208G		

Interchange Page 95