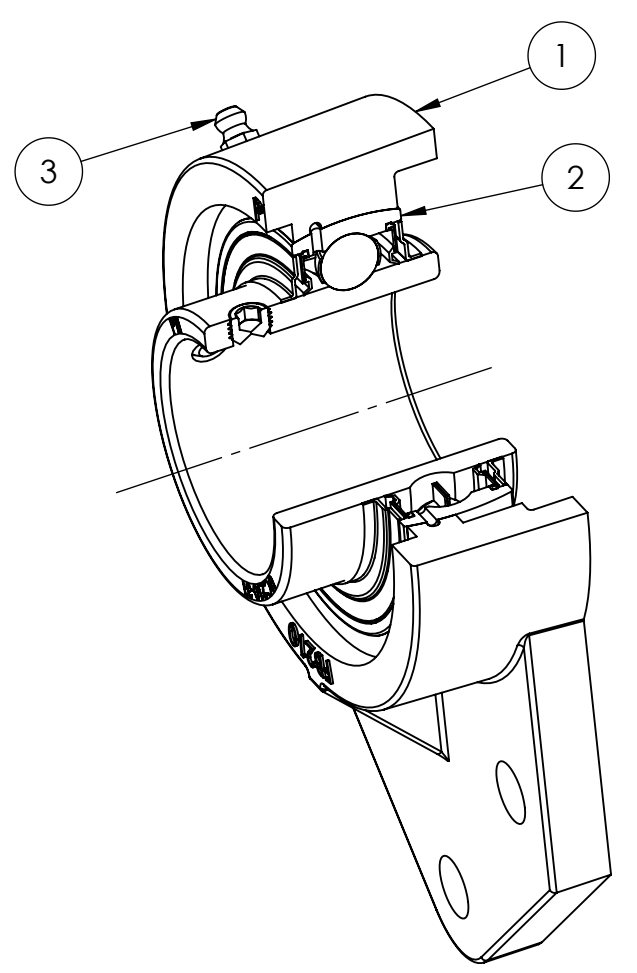
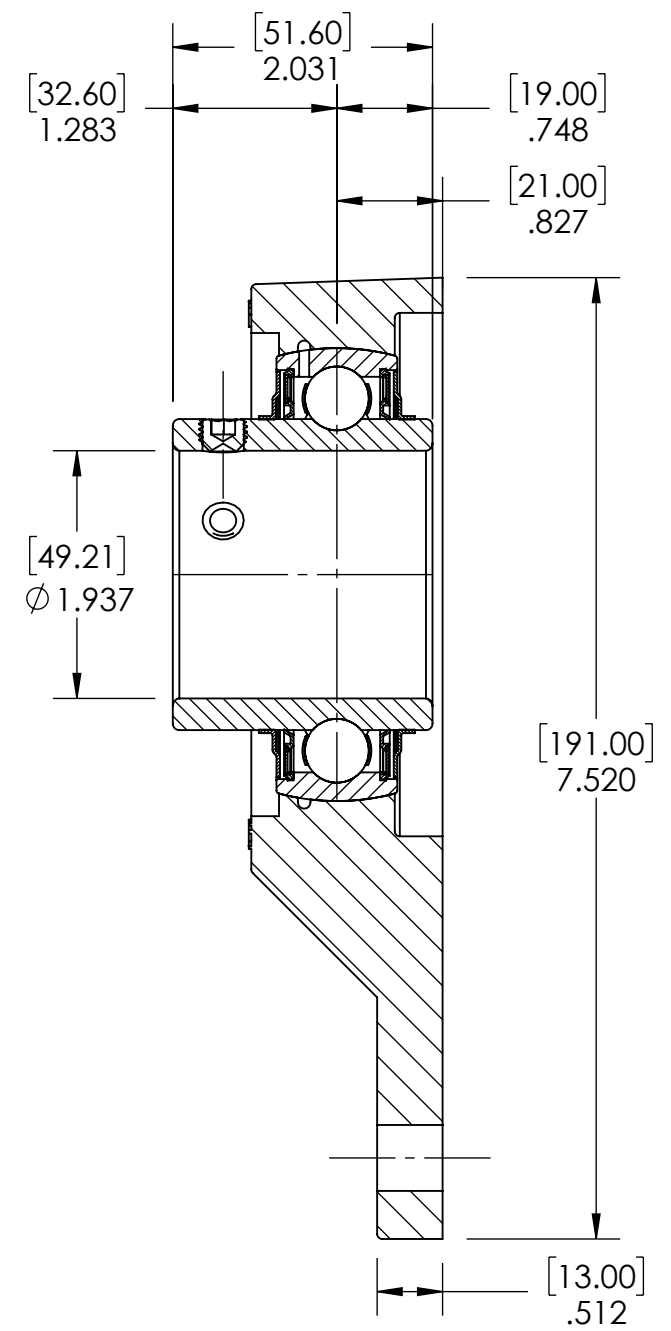
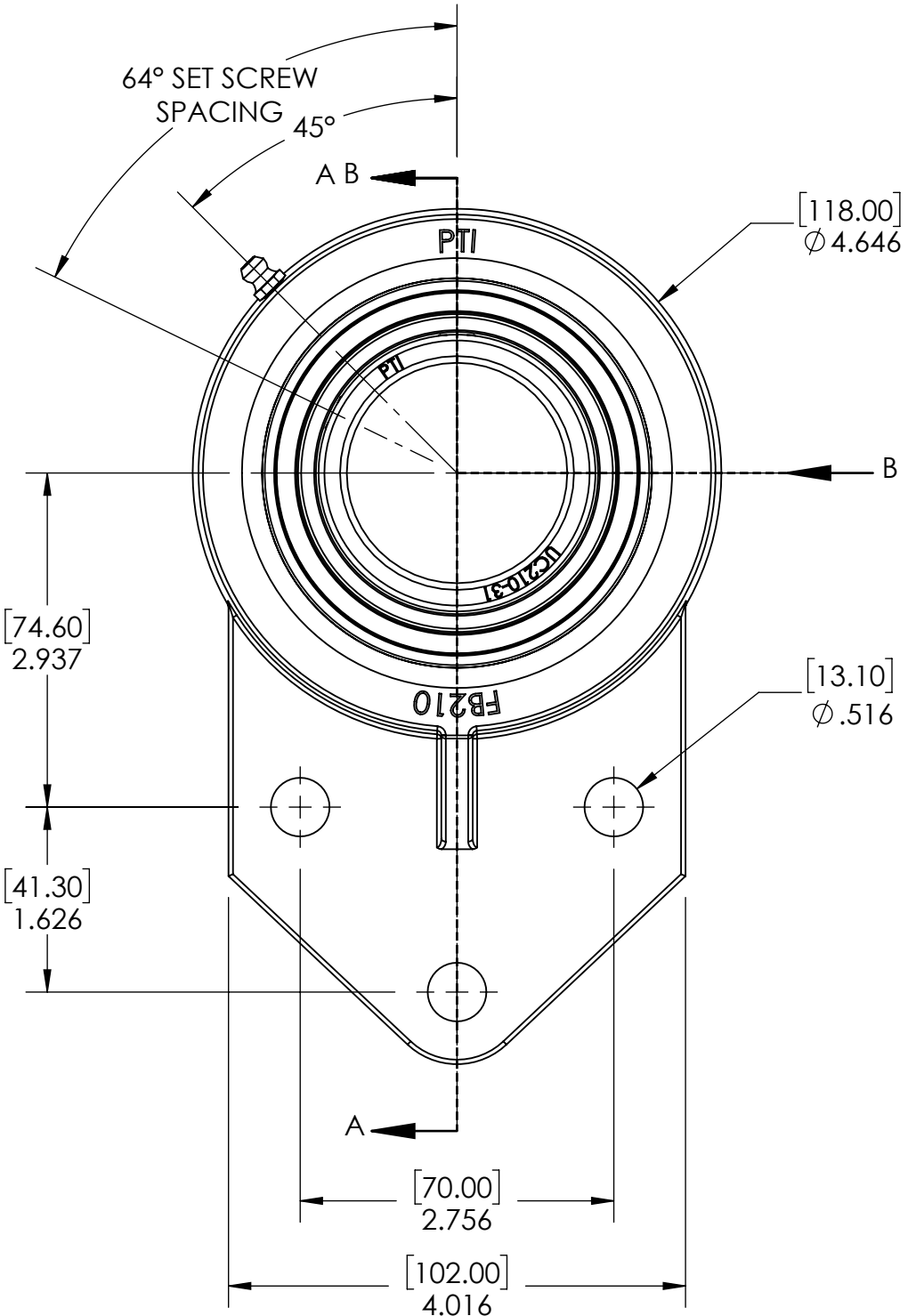
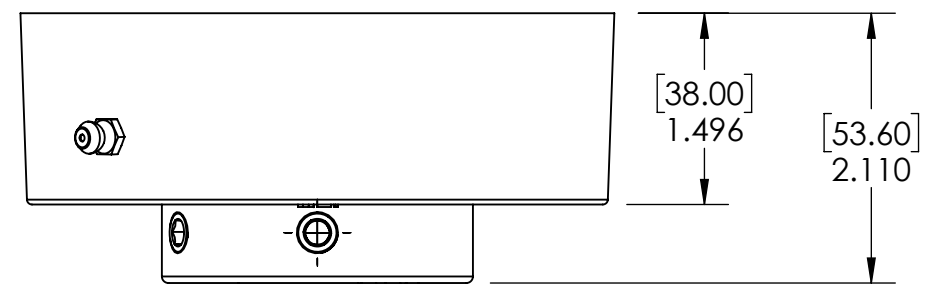


9 8 7 6 5 4 3 2 1

G F E D C B A

A B C D E F G

9 8 7 6 5 4 3 2 1



SECTION VIEW A-A

SPECIFICATIONS		SOLVE INDUSTRIAL MOTION GROUP		WEIGHT	5.15 LBS
UNITS:	IN (mm)	SIZE	B	MATERIAL	SEE BOM
LOAD RATINGS	C: 7,900 LBS Co: 5,190 LBS	APPROVED		COATING	SEE BOM
SPEED RATING	3400 RPM	CHECKED	KODS	DRAWN	SEC 01/08/2025
GREASE TYPE	NLGI #2	APPROVED		CHECKED	KODS 01/10/2025
GREASE FILL	40%	DATE	BY	REVISION DESCRIPTION	REV
OPERATING TEMP	10°F - 200°F	ITEM DESCRIPTION:			SCALE
SEAL TYPE	B-TYPE	FB210-31U			1:8
INTERNAL CLEARANCE	C3	PROPRIETARY AND CONFIDENTIAL			REV
TORQUE SETTING ON SET SCREWS		THE INFORMATION CONTAINED IN THIS DRAWING IS THE SOLE PROPERTY OF SOLVE IMG. ANY REPRODUCTION IN PART OR AS A WHOLE WITHOUT THE WRITTEN PERMISSION OF SOLVE IMG IS PROHIBITED.			-

ITEM NO.	PART NUMBER	MATERIAL	COATING	QTY.
3	M6 ZERK	STEEL	ZINC PLATED	1
2	UC210-31	BEARING STEEL	N/A	1
1	FB210	CAST IRON	POWDER COAT	1

DATE	BY	REVISION DESCRIPTION	REV