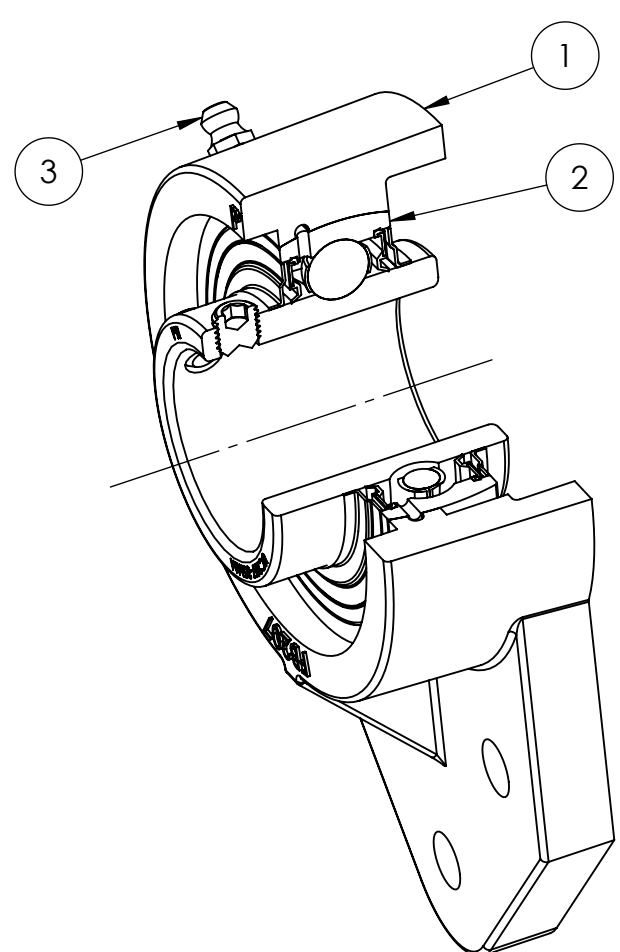
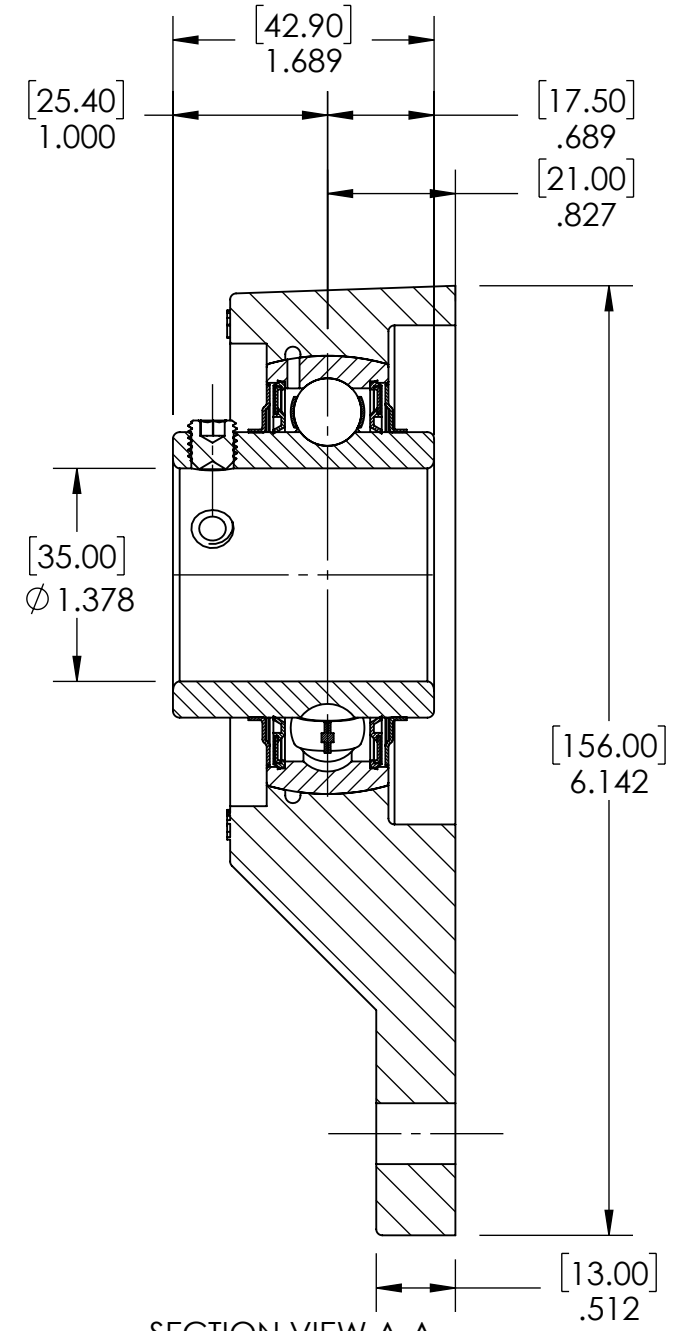
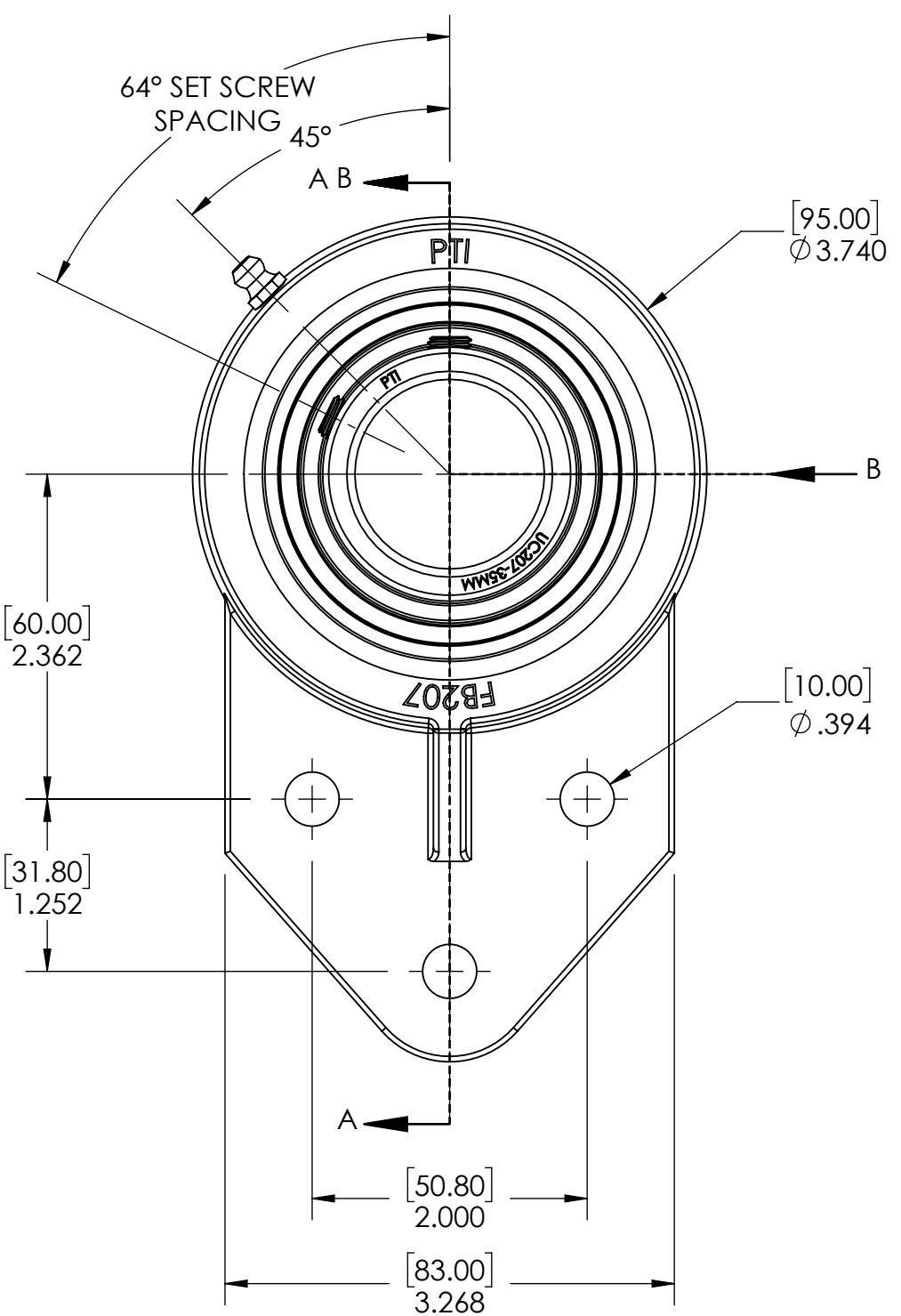
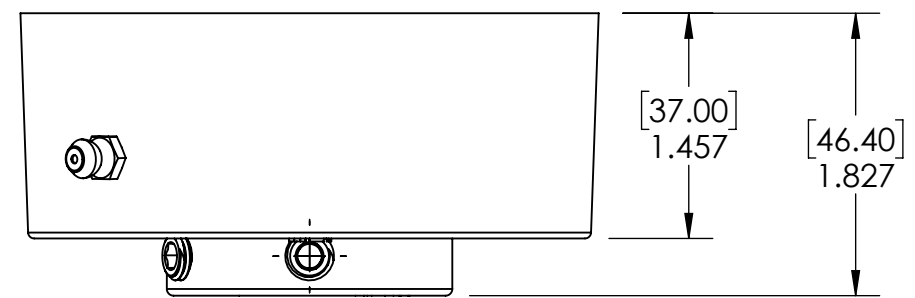


9 8 7 6 5 4 3 2 1

G F E D C B A



SPECIFICATIONS		SOLVE INDUSTRIAL MOTION GROUP		WEIGHT	3.27 LBS
UNITS:	IN (mm)	SIZE B		MATERIAL	SEE BOM
LOAD RATINGS	C: 5,780 LBS Co: 3,440 LBS	PTI		COATING	SEE BOM
SPEED RATING	4500 RPM	DWG. NO.		DRAWN	SEC 01/08/2025
GREASE TYPE	NLGI #2	PROPRIETARY AND CONFIDENTIAL		CHECKED	KODS 01/10/2025
GREASE FILL	40%	THE INFORMATION CONTAINED IN THIS DRAWING IS THE SOLE PROPERTY OF SOLVE IMG. ANY REPRODUCTION IN PART OR AS A WHOLE WITHOUT THE WRITTEN PERMISSION OF SOLVE IMG IS PROHIBITED.		APPROVED	
OPERATING TEMP	10°F - 200°F			DATE	BY
SEAL TYPE	B-TYPE			REVISION DESCRIPTION	
INTERNAL CLEARANCE	C3			ITEM DESCRIPTION:	
TORQUE SETTING ON SET SCREWS				FB207-35UMM	

ITEM NO.	PART NUMBER	MATERIAL	COATING	QTY.
3	M6 ZERK	STEEL	ZINC PLATED	1
2	UC207-35MM	BEARING STEEL	N/A	1
1	FB207	CAST IRON	POWDER COAT	1

DATE	BY	REVISION DESCRIPTION	REV
SCALE			1:9
			-

9 8 7 6 5 4 3 2 1

A B C D E F G