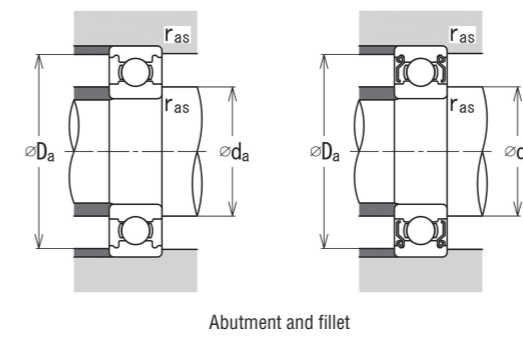
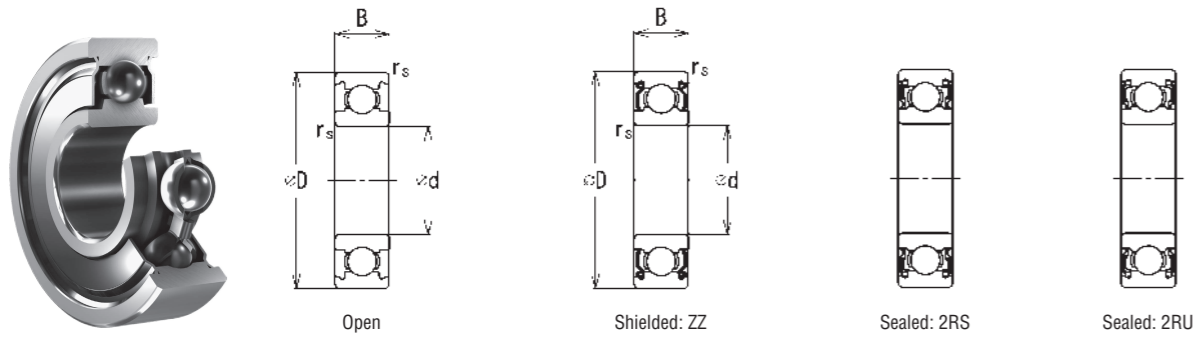


Large stainless-steel bearings



Dimension

Large stainless-steel bearings

Bore diameter d		Outer diameter D		Width B		Chamfer r _s (min)		Bearing number				Load rating		Limiting speed ⁽⁴⁾		Cage type ⁽⁵⁾
mm	inch	mm	inch	mm	inch	mm	inch	Open	2 Shields ⁽³⁾	2 Seals ⁽³⁾		Cr	Cor	Grease	Oil	
										2RS	2RU					
10	0.3937	26	1.0236	8	0.3150	0.30	0.0118	6000H ^{(1), (2)}	6000HZZ ⁽²⁾	2RS	2RU	3 890	1 570	28 000	33 000	J
		30	1.1811	9	0.3543	0.60	0.0236	6200H ^{(1), (2)}	6200HZZ ⁽²⁾	2RS	2RU	4 350	1 910	25 000	30 000	RJ
		35	1.3780	11	0.4331	0.60	0.0236	6300H ⁽¹⁾	6300HZZ	2RS	—	6 880	2 750	23 000	27 000	RJ
12	0.4724	28	1.1024	8	0.3150	0.30	0.0118	6001H ^{(1), (2)}	6001HZZ ⁽²⁾	2RS	2RU	4 350	1 910	25 000	30 000	J
		32	1.2598	10	0.3937	0.60	0.0236	6201H ^{(1), (2)}	6201HZZ ⁽²⁾	2RS	2RU	5 780	2 440	24 000	28 000	RJ
		37	1.4567	12	0.4724	1.00	0.0394	6301H ⁽¹⁾	6301HZZ	2RS	—	8 250	3 350	22 000	25 000	RJ
15	0.5906	32	1.2598	9	0.3543	0.30	0.0118	6002H ^{(1), (2)}	6002HZZ ⁽²⁾	2RS	2RU	4 750	2 270	22 000	26 000	RJ
		35	1.3780	11	0.4331	0.60	0.0236	6202H ⁽¹⁾	6202HZZ	2RS	2RU	6 490	2 980	21 000	25 000	RJ
		42	1.6535	13	0.5118	1.00	0.0394	6302H ⁽¹⁾	6302HZZ	2RS	—	9 720	4 350	18 000	21 000	RJ
17	0.6693	35	1.3780	10	0.3937	0.30	0.0118	6003H ^{(1), (2)}	6003HZZ ⁽²⁾	2RS	2RU	5 100	2 610	20 000	24 000	RJ
		40	1.5748	12	0.4724	0.60	0.0236	6203H ⁽¹⁾	6203HZZ	2RS	2RU	8 130	3 830	18 000	22 000	RJ
		47	1.8504	14	0.5512	1.00	0.0394	6303H ⁽¹⁾	6303HZZ	2RS	—	11 600	5 290	16 000	19 000	RJ
20	0.7874	42	1.6535	12	0.4724	0.60	0.0236	6004H ⁽¹⁾	6004HZZ	2RS	2RU	7 980	4 050	17 000	20 000	RJ
		47	1.8504	14	0.5512	1.00	0.0394	6204H ⁽¹⁾	6204HZZ	2RS	2RU	10 900	5 320	16 000	19 000	RJ
		52	2.0472	15	0.5906	1.10	0.0433	6304H ⁽¹⁾	6304HZZ	2RS	—	13 500	6 270	15 000	18 000	RJ
25	0.9843	47	1.8504	12	0.4724	0.60	0.0236	6005H ⁽¹⁾	6005HZZ	2RS	2RU	8 550	4 680	15 000	18 000	RJ
		52	2.0472	15	0.5906	1.00	0.0394	6205H ⁽¹⁾	6205HZZ	2RS	2RU	11 900	6 300	14 000	16 000	RJ
		62	2.4409	17	0.6693	1.10	0.0433	6305H ⁽¹⁾	6305HZZ	2RS	—	17 500	9 000	12 000	14 000	RJ
30	1.1811	55	2.1654	13	0.5118	1.00	0.0394	6006H ⁽¹⁾	6006HZZ	2RS	—	11 200	6 620	13 000	15 000	RJ
		62	2.4409	16	0.6299	1.00	0.0394	6206H ⁽¹⁾	6206HZZ	2RS	—	16 500	9 070	12 000	14 000	RJ
		72	2.8346	19	0.7480	1.10	0.0433	6306H ⁽¹⁾	6306HZZ	2RS	—	22 700	12 000	11 000	12 000	RJ
35	1.3780	62	2.4409	14	0.5512	1.00	0.0394	6007H ⁽¹⁾	6007HZZ	2RS	—	13 600	8 240	11 000	13 000	RJ
		72	2.8346	17	0.6693	1.10	0.0433	6207H ⁽¹⁾	6207HZZ	2RS	—	21 800	12 300	10 000	12 000	RJ
		80	3.1496	21	0.8268	1.50	0.0591	6307H ⁽¹⁾	6307HZZ	2RS	—	28 300	15 400	9 400	11 000	RJ
40	1.5748	68	2.6772	15	0.5906	1.00	0.0394	6008H ⁽¹⁾	6008HZZ	2RS	—	14 300	9 240	10 000	12 000	RJ
		80	3.1496	18	0.7087	1.10	0.0433	6208H ⁽¹⁾	6208HZZ	2RS	—	24 700	14 300	9 100	11 000	RJ
45	1.7717	75	2.9528	16	0.6299	1.00	0.0394	6009H ⁽¹⁾	6009HZZ	2RS	—	17 800	12 100	9 100	11 000	RJ
		85	3.3465	19	0.7480	1.10	0.0433	6209H ⁽¹⁾	6209HZZ	2RS	—	27 800	16 400	8 400	10 000	RJ
50	1.9685	80	3.1496	16	0.6299	1.00	0.0394	6010H ⁽¹⁾	6010HZZ	2RS	—	18 500	13 300	8 400	9 900	RJ
		90	3.5433	20	0.7874	1.10	0.0433	6210H ⁽¹⁾	6210HZZ	2RS	—	29 800	18 600	7 800	9 200	RJ
55	2.1654	90	3.5433	18	0.7087	1.10	0.0433	6011H ⁽¹⁾	6011HZZ	2RS	—	24 000	17 000	7 500	8 900	RJ
		100	3.9370	21	0.8268	1.50	0.0591	6211H ⁽¹⁾	6211HZZ	2RS	—	36 900	23 500	6 900	8 200	RJ
60	2.3622	95	3.7402	18	0.7087	1.10	0.0433	6012H ⁽¹⁾	6012HZZ	2RS	—	25 000	18 500	7 000	8 300	RJ
		110	4.3307	22	0.8661	1.50	0.0591	6212H ⁽¹⁾	6212HZZ	2RS	—	44 600	29 000	6 300	7 400	RJ

Ball		Abutment and fillet dimensions					Mass (Ref.)	
Size	Qty.	d _a (min)	d _a (max)	D _a (min)	D _a (max)	r _{as} (max)	Open	2 Shields
mm	pcs.	mm					g	
4.762	7	12.00	13.50	22.50	24.00	0.30	17.1	18.2
4.762	8	14.00	15.00	25.50	26.00	0.60	28.5	30.0
7.144	6	14.00	17.50	29.50	31.00	0.60	49.7	52.3
4.762	8	14.00	15.50	25.50	26.00	0.30	18.2	19.5
5.953	7	16.00	18.00	28.00	28.50	0.60	33.7	35.4
7.938	6	17.00	19.00	32.00	32.50	1.00	55.3	58.4
4.762	9	17.00	18.50	29.50	30.00	0.30	26.7	28.5
5.953	8	19.00	21.50	31.50	32.00	0.60	41.4	43.5
7.938	7	20.00	24.00	37.00	37.50	1.00	77.1	80.9
4.762	10	19.00	23.00	32.00	33.00	0.30	35.8	37.9
6.747	8	21.00	24.50	36.00	37.50	0.60	61.3	64.5
8.731	7	22.00	27.00	41.50	42.00	1.00	107	111
6.350	9	24.00	27.50	39.00	39.50	0.60	60.6	63.6
7.938	8	25.00	29.00	41.00	42.00	1.00	100	104
9.525	7	26.50	29.50	45.50	46.00	1.00	135	141
6.350	10	29.00	31.50	43.00	44.50	0.60	71.4	76.5
7.938	9	30.00	33.50	46.00	47.00	1.00	122	128
10.319	8	31.50	38.00	53.50	55.50	1.00	224	232
7.144	11	35.00	37.50	50.00	50.50	1.00	105	111
9.525	9	35.00	40.50	55.50	57.00	1.00	185	193
11.906	8	36.50	44.50	62.50	65.50	1.00	331	340
7.938	11	40.00	43.50	57.50	57.50	1.00	138	146
11.112	9	41.50	47.50	65.00	65.50	1.00	262	273
13.494	8	43.00	46.50	72.00	73.50	1.50	418	432
7.938	12	45.00	49.00	63.00	63.50	1.00	171	180
11.906	9	46.50	50.00	71.00	73.50	1.00	342	354
8.731	13	50.00	54.00	69.50	70.00	1.00	223	233
12.700	9	51.50	53.00	76.50	78.50	1.00	372	386
8.731	14	55.00	59.50	75.00	75.50	1.00	241	252
12.700	10	56.50	59.50	82.50	83.50	1.00	425	446
10.319	13	61.50	62.00	83.00	83.50	1.00	344	357
14.288	10	63.00	65.50	92.50	93.50	1.50	545	571
10.319	14	66.00	66.00	88.00	88.50	1.00	366	381
15.875	10	68.00	72.50	102.00	103.50	1.50	713	745

(1) Open bearings have shield/seal grooves.
 (2) SUJ2 type (without "H") of the same sizes are also available. Load ratings of SUJ2 types can be obtained by Cr/0.85 and Cor/0.80 of stainless-steel types of the same sizes in the above table.
 (3) Single-shielded/single-sealed bearings are also available; suffix Z, RS, RU or TS.
 (4) Applicable only for open, single Z, ZZ, single RU and 2RU types in inner ring rotating conditions.
 Limiting speeds for the contact rubber seal(s) types can be lower than the above-mentioned values, so please check the detailed values per item on "products" section of our website.
 (5) Some items are also available with the TW cage. Please contact us for details.