

9 8 7 6 5 4 3 2 1

G G

F F

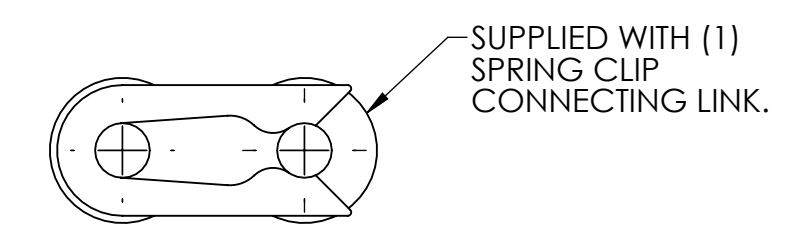
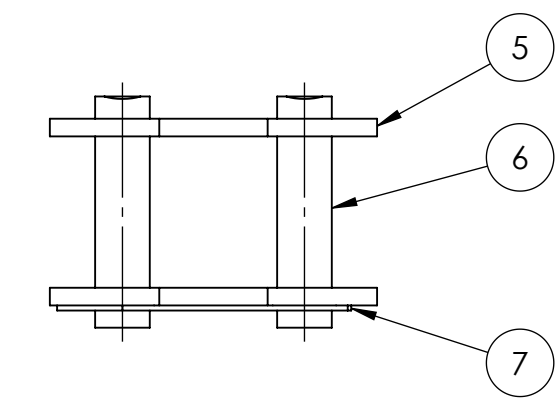
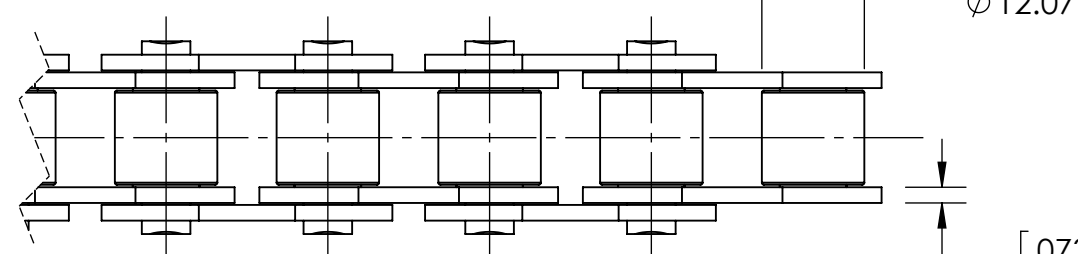
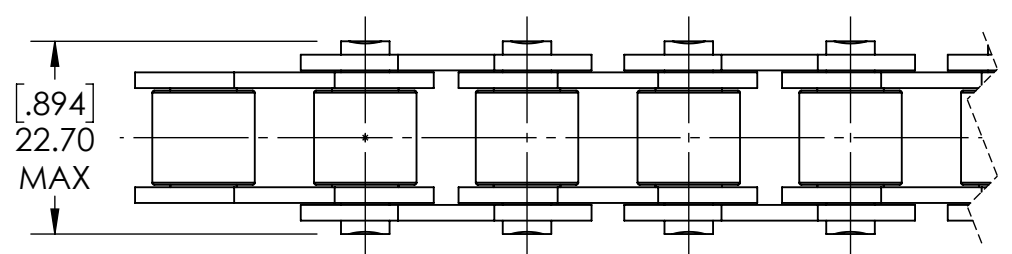
E E

D D

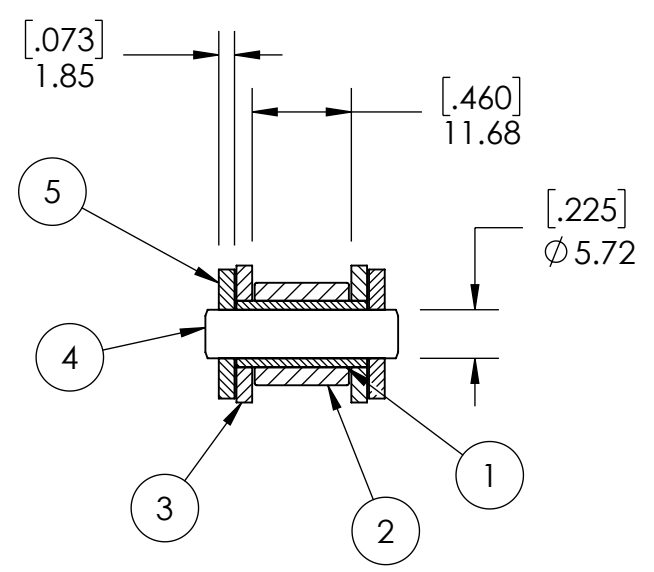
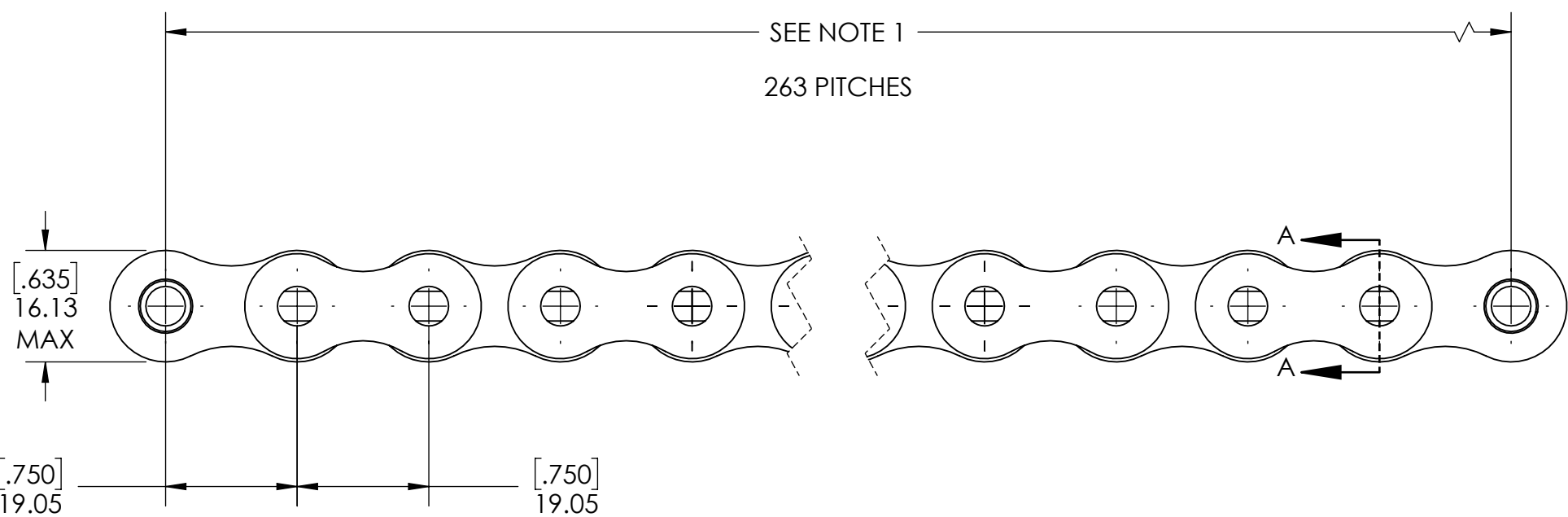
C C

B B

A A



SUPPLIED WITH (1) SPRING CLIP CONNECTING LINK.



SECTION A-A

7	E12BNP SPRING CLIP	STEEL	NICKEL PLATED
6	E12B-1NP CONNECTING LINK PIN	STEEL	NICKEL PLATED
5	E12BNP OUTER PLATE	STEEL	NICKEL PLATED
4	E12B-1NPRIV PIN	STEEL	NICKEL PLATED
3	E12BNP INNER PLATE	STEEL	NICKEL PLATED
2	E12BNP ROLLER	STEEL	NICKEL PLATED
1	E12BNP BUSHING	STEEL	NICKEL PLATED
ITEM NO.	PART NUMBER	MATERIAL	COATING

NOTES:
1. SUPPLIED IN LENGTHS OF 5 METERS. ACTUAL LENGTH IS 5030 mm.

CHAINS SPECIFICATIONS	
UNITS	mm (INCH)
CHAIN NO.	12B
PITCH	0.75 IN
ROLLER DIAMETER	12.07 mm
INNER WIDTH	11.68 mm
AVERAGE ULTIMATE TENSILE STRENGTH	7238.85 LBS
CONNECTING LINK TYPE	SPRING CLIP
PIN CONSTRUCTION	SOLID
PIN RETENTION	SPRING CLIP
INDUSTRY STANDARD	ISO 606

SOLVE INDUSTRIAL MOTION GROUP
PTI
 DWG. NO.

WEIGHT	12.76 LBS
MATERIAL	SEE BOM
COATING	ANTI-RUST OIL
DRAWN	SEC 06/11/2025
CHECKED	
APPROVED	

DATE	BY	REVISION DESCRIPTION	REV
		ITEM DESCRIPTION: E12B-1NPRIV	SCALE 1:1
			REV -

9 8 7 6 5 4 3 2 1