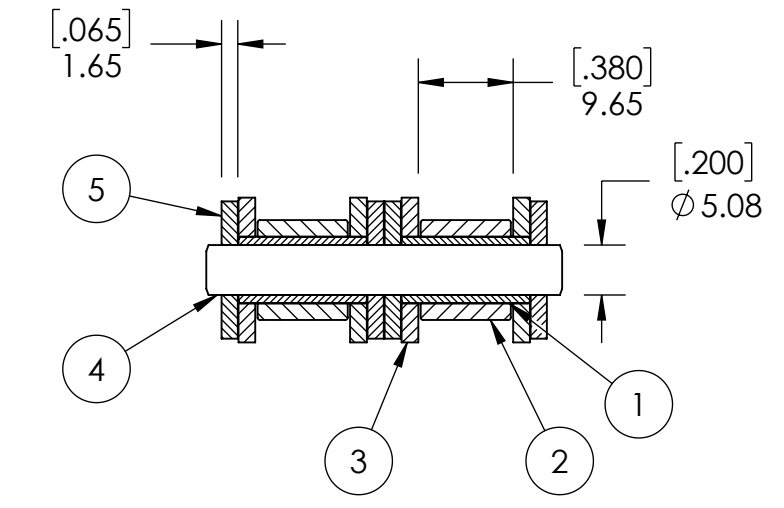
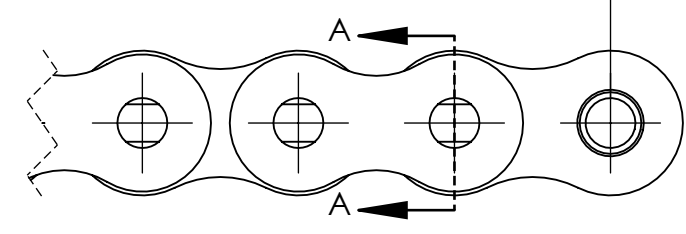
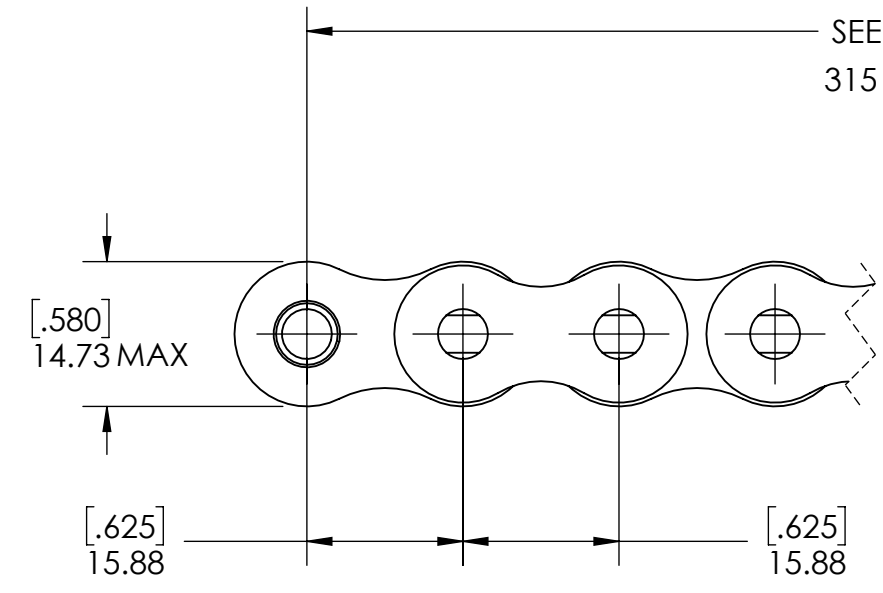
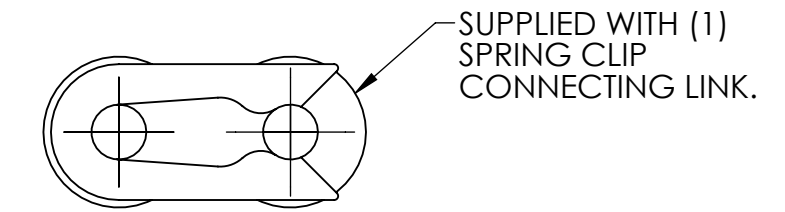
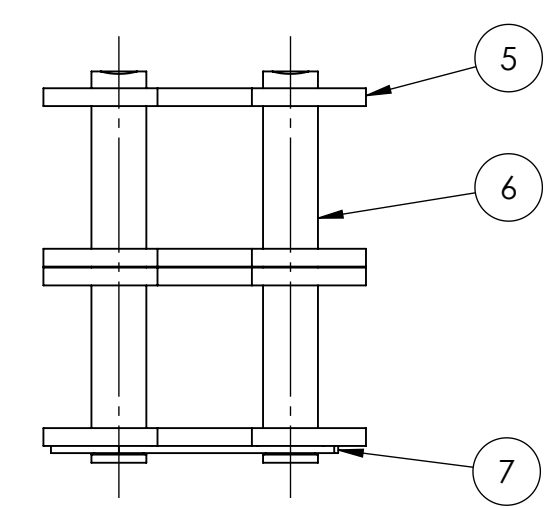
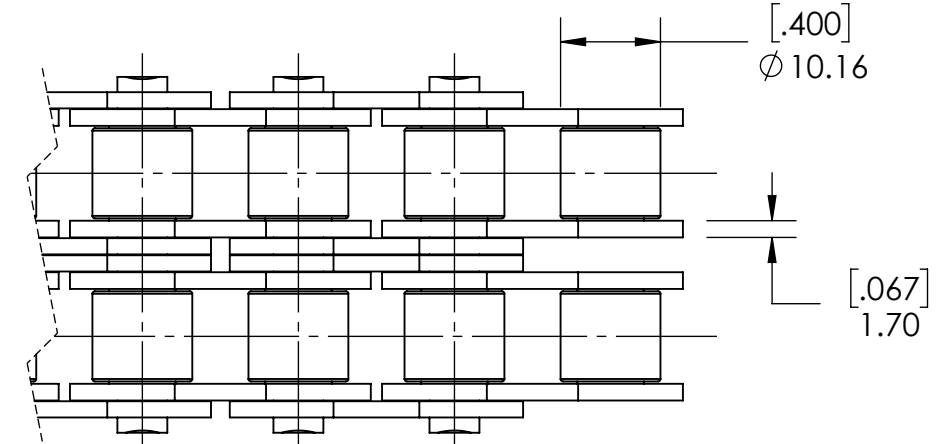
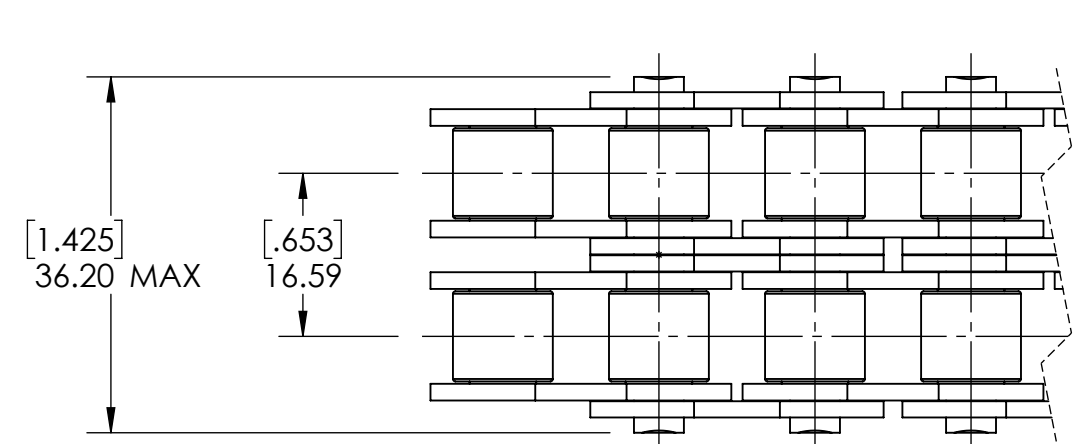


9 8 7 6 5 4 3 2 1

G
F
E
D
C
B
A

G
F
E
D
C
B
A



SECTION A-A

NOTES:
1. SUPPLIED IN LENGTHS OF 5 METERS. ACTUAL LENGTH IS 5017 mm.

CHAINS SPECIFICATIONS	
UNITS	mm (INCH)
CHAIN NO.	10B
PITCH	0.625 IN
ROLLER DIAMETER	10.16 mm
INNER WIDTH	9.65 mm
AVERAGE ULTIMATE TENSILE STRENGTH	12634.26 LBS
CONNECTING LINK TYPE	SPRING CLIP
PIN CONSTRUCTION	SOLID
PIN RETENTION	RIVETED
INDUSTRY STANDARD	ISO 606

SOLVE INDUSTRIAL MOTION GROUP
PTI
 DWG. NO.

WEIGHT	20.36 LBS
MATERIAL	SEE BOM
COATING	ANTI-RUST OIL
DRAWN	SEC 07/14/2025
CHECKED	PT 07/15/2025
APPROVED	

ITEM NO.	PART NUMBER	MATERIAL	COATING
7	E10BNP SPRING CLIP	STEEL	NICKEL PLATED
6	E10B-2NP CONNECTING LINK PIN	STEEL	NICKEL PLATED
5	E10BNP OUTER PLATE	STEEL	NICKEL PLATED
4	E10B-2NPRIV PIN	STEEL	NICKEL PLATED
3	E10BNP INNER PLATE	STEEL	NICKEL PLATED
2	E10BNP ROLLER	STEEL	NICKEL PLATED
1	E10BNP BUSHING	STEEL	NICKEL PLATED

DATE	BY	REVISION DESCRIPTION	REV
		E10B-2NPRIV	1:1
			-

9 8 7 6 5 4 3 2 1