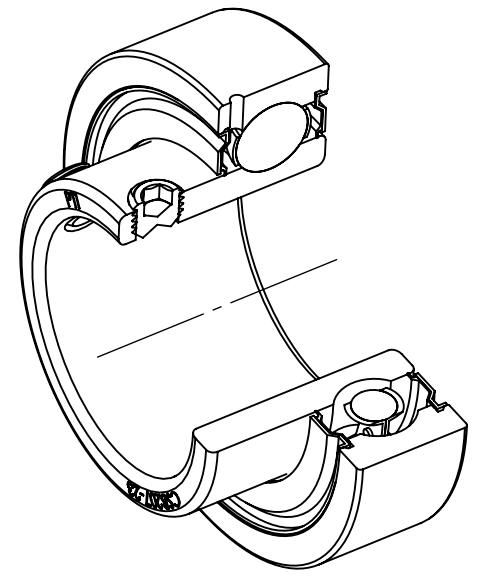


SECTION VIEW A-A



SPECIFICATIONS		WEIGHT		REVISION DESCRIPTION		REV
UNITS:	IN (mm)		0.77 LBS			
LOAD RATINGS	C: 5,780 LBS Co: 3,440 LBS	MATERIAL	BEARING STEEL			
SPEED RATING	4500 RPM	COATING	N/A			
GREASE TYPE	NLGI #2	DRAWN	SEC 01/16/2025			
GREASE FILL	40%	CHECKED	SEC 01/16/2025			
OPERATING TEMP	10°F - 200°F	APPROVED		DATE	BY	
SEAL TYPE	K-TYPE	THIRD ANGLE PROJECTION		ITEM DESCRIPTION:		SCALE
INTERNAL CLEARANCE	C3	PROPRIETARY AND CONFIDENTIAL		CSB207-23		1:15
TORQUE SETTING ON SET SCREWS						REV



DWG. NO. PROPRIETARY AND CONFIDENTIAL  
THE INFORMATION CONTAINED IN THIS DRAWING IS THE SOLE PROPERTY OF SOLVE IMG. ANY REPRODUCTION IN PART OR AS A WHOLE WITHOUT THE WRITTEN PERMISSION OF SOLVE IMG IS PROHIBITED.

G  
F  
E  
D  
C  
B  
A

9 8 7 6 5 4 3 2 1

9 8 7 6 5 4 3 2 1