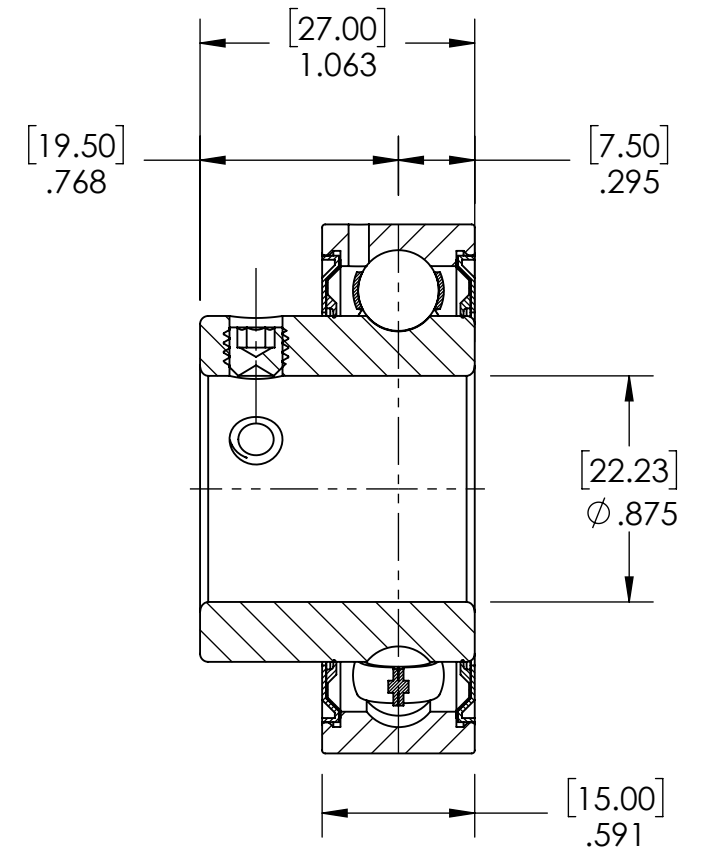
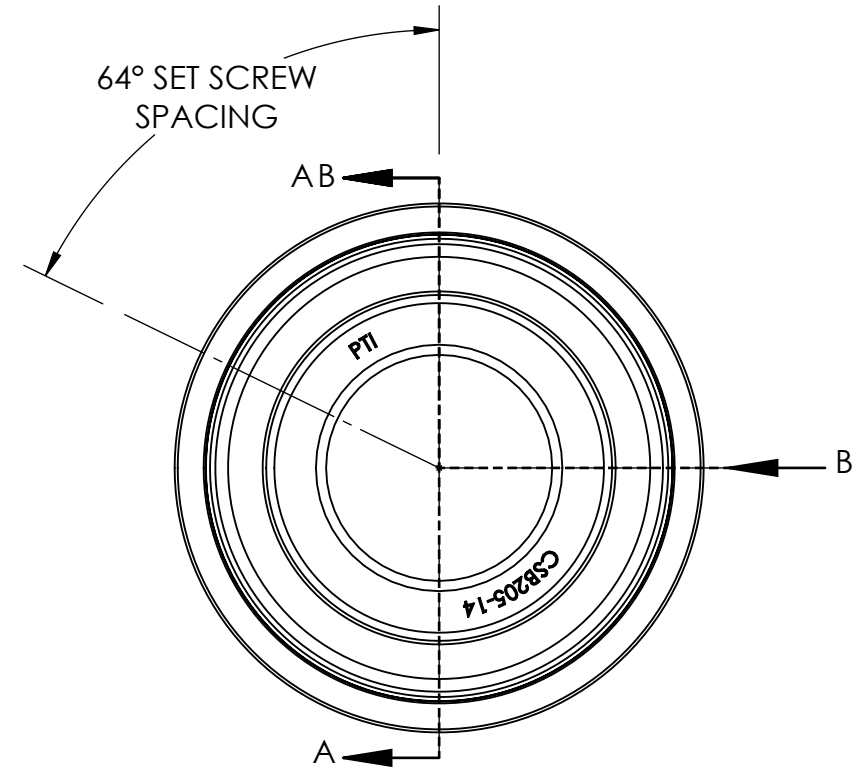
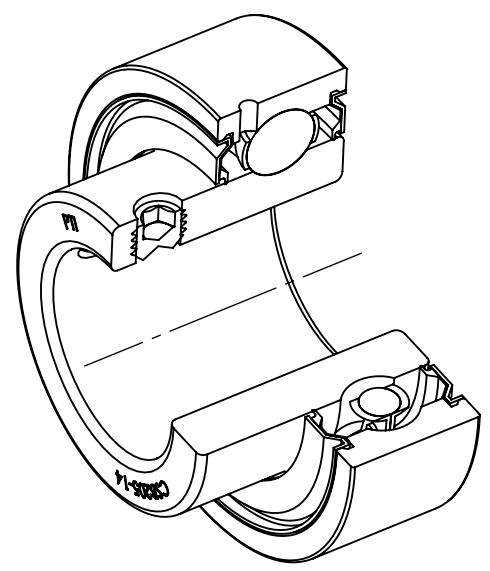
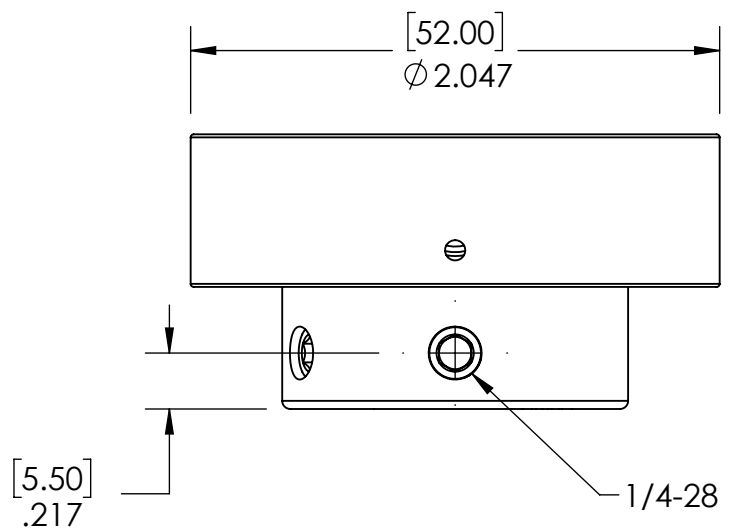


9 8 7 6 5 4 3 2 1

G F E D C B A



SECTION VIEW A-A

SPECIFICATIONS		WEIGHT		REVISION	
UNITS:	IN (mm)		0.41 LBS		
LOAD RATINGS	C: 3,140 LBS Co: 1,750 LBS		BEARING STEEL		
SPEED RATING	6250 RPM		COATING	N/A	
GREASE TYPE	NLGI #2		DRAWN	SEC 01/16/2025	
GREASE FILL	40%		CHECKED	SEC 01/16/2025	
OPERATING TEMP	10°F - 200°F		APPROVED		
SEAL TYPE	K-TYPE		THIRD ANGLE PROJECTION		
INTERNAL CLEARANCE	C3				
TORQUE SETTING ON SET SCREWS					
				DATE	BY
DWG. NO.		PROPRIETARY AND CONFIDENTIAL THE INFORMATION CONTAINED IN THIS DRAWING IS THE SOLE PROPERTY OF SOLVE IMG. ANY REPRODUCTION IN PART OR AS A WHOLE WITHOUT THE WRITTEN PERMISSION OF SOLVE IMG IS PROHIBITED.		REVISION DESCRIPTION	
CSB205-14		ITEM DESCRIPTION:		REV	SCALE
CSB205-14		CSB205-14		1:20	
				REV	
				-	

9 8 7 6 5 4 3 2 1

A B C D E F G