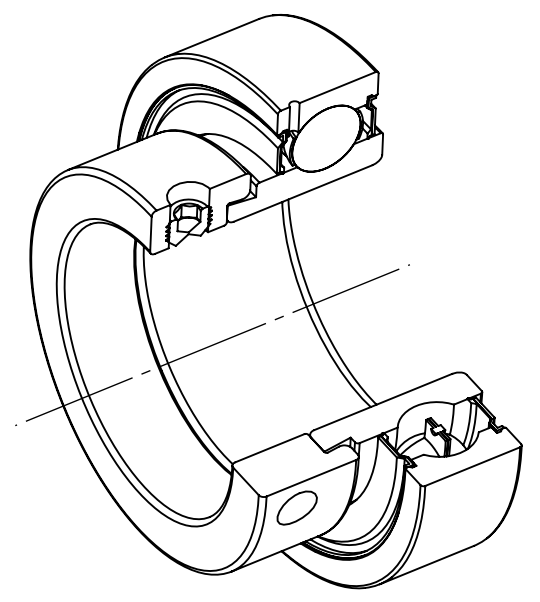


SECTION VIEW A-A



SPECIFICATIONS	
UNITS:	IN (mm)
LOAD RATINGS	C: 9,780 LBS Co: 6,580 LBS
SPEED RATING	3100 RPM
GREASE TYPE	NLGI #2
GREASE FILL	40%
OPERATING TEMP	10°F - 200°F
SEAL TYPE	K-TYPE
INTERNAL CLEARANCE	C3
TORQUE SETTING ON SET SCREWS	

SOLVE INDUSTRIAL MOTION GROUP

SIZE **B** **PTI**

DWG. NO.

WEIGHT	2.19 LBS
MATERIAL	BEARING STEEL
COATING	N/A
DRAWN	SEC 01/17/2025
CHECKED	SEC 01/17/2025
APPROVED	

DATE	BY	REVISION DESCRIPTION	REV
ITEM DESCRIPTION:			SCALE
CSA211-35			1:11
			REV
			-

THIRD ANGLE PROJECTION

PROPRIETARY AND CONFIDENTIAL
THE INFORMATION CONTAINED IN THIS DRAWING IS THE SOLE PROPERTY OF SOLVE IMG. ANY REPRODUCTION IN PART OR AS A WHOLE WITHOUT THE WRITTEN PERMISSION OF SOLVE IMG IS PROHIBITED.