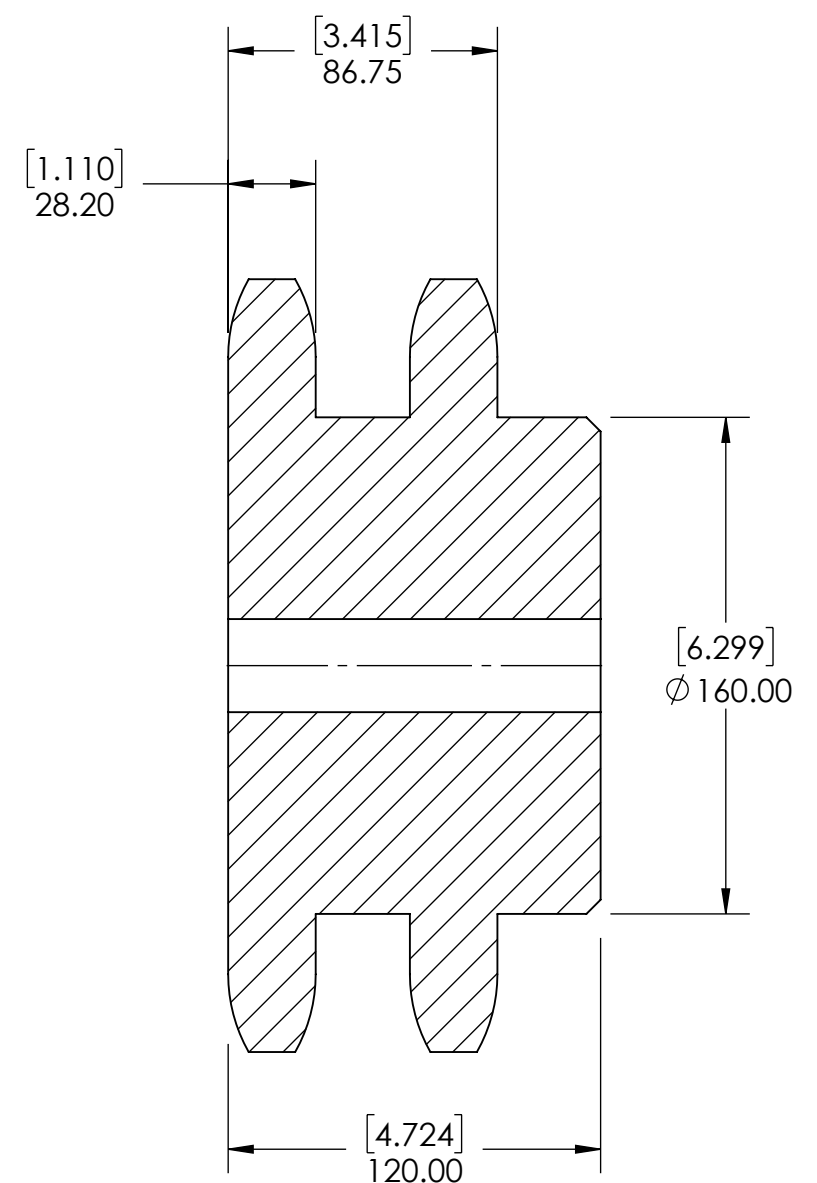
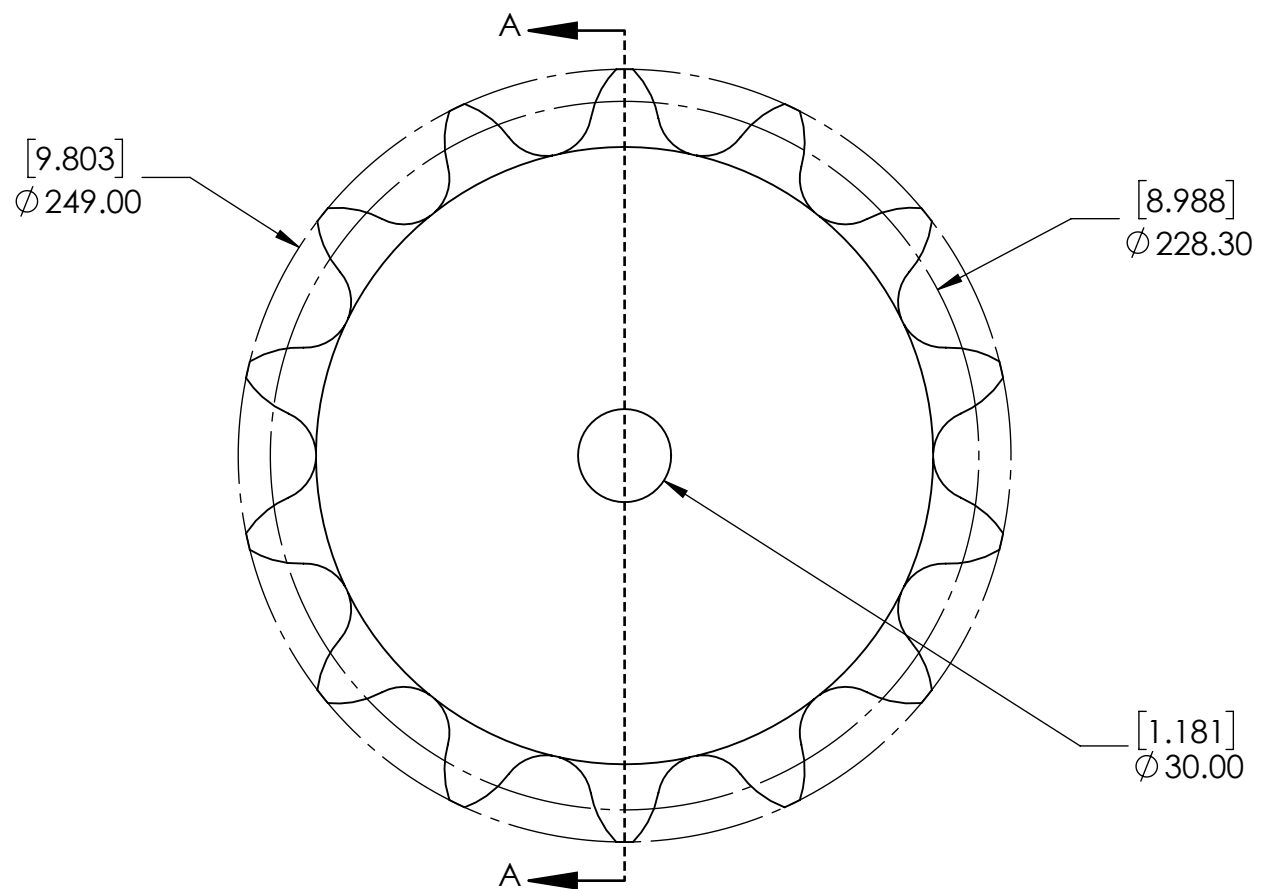
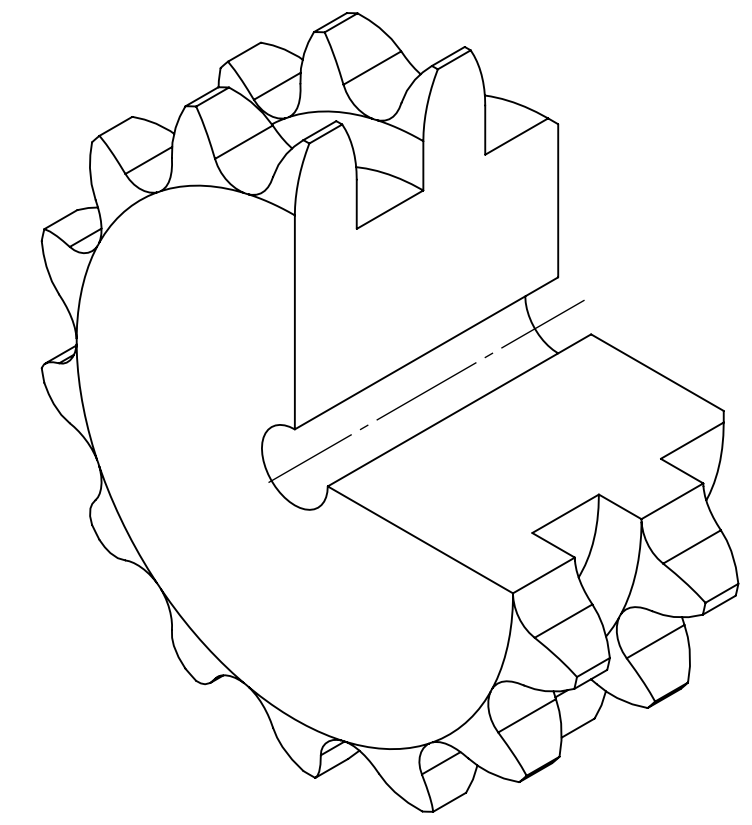


9 8 7 6 5 4 3 2 1

G F E D C B A



SECTION A-A



A B C D E F G

9 8 7 6 5 4 3 2 1

| SPROCKETS SPECIFICATIONS | | WEIGHT | | DATE | | BY | | REVISION DESCRIPTION | | REV |
|--------------------------|------------|-----------|-------------|---|-----|------------|--|----------------------|--|-------|
| UNITS | mm (INCH) | 57.08 LBS | | | | | | | | |
| CHAIN SIZE | 32B | MATERIAL | STEEL | | | | | | | |
| PITCH | 50.80 mm | COATING | BLACK OXIDE | DRAWN | SEC | 07/31/2025 | | | | |
| INNER WIDTH | 30.99 mm | CHECKED | SEC | 08/04/2025 | | | | | | |
| ROLLER DIA. | 29.21 mm | APPROVED | | | | | | | | |
| TOOTH WIDTH | 28.20 mm | | | | | | | | | |
| NUMBER OF TEETH | 14 | | | | | | | | | |
| HUB STYLE | B | | | | | | | | | |
| BORE TYPE | PLAIN BORE | | | | | | | | | |
| BUSHING NUMBER | N/A | | | | | | | | | |
| | | | | | | | | ITEM DESCRIPTION: | | SCALE |
| | | DWG. NO. | | PROPRIETARY AND CONFIDENTIAL <small>THE INFORMATION CONTAINED IN THIS DRAWING IS THE SOLE PROPERTY OF SOLVE IMG. ANY REPRODUCTION IN PART OR AS A WHOLE WITHOUT THE WRITTEN PERMISSION OF SOLVE IMG IS PROHIBITED.</small> | | 32B-2-14B | | 1:1 | | REV |
| | | | | | | | | | | - |