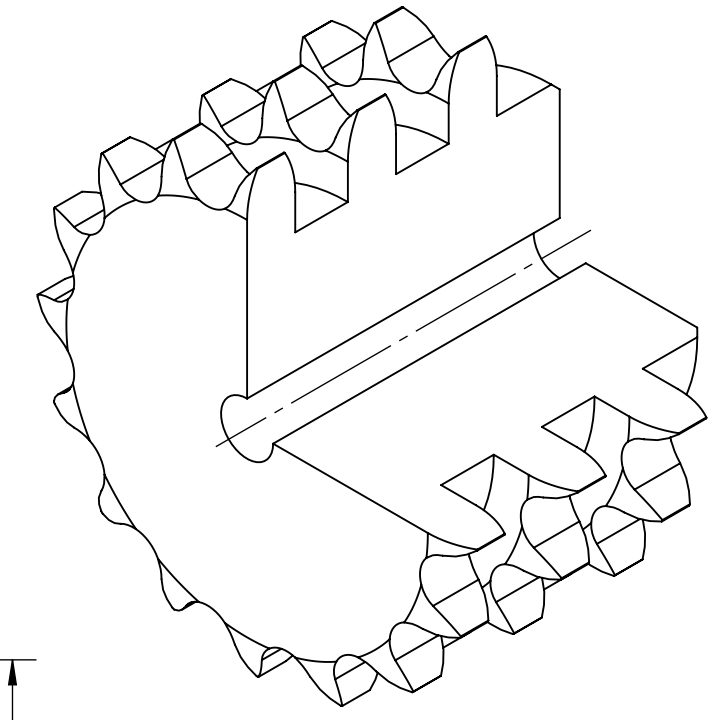
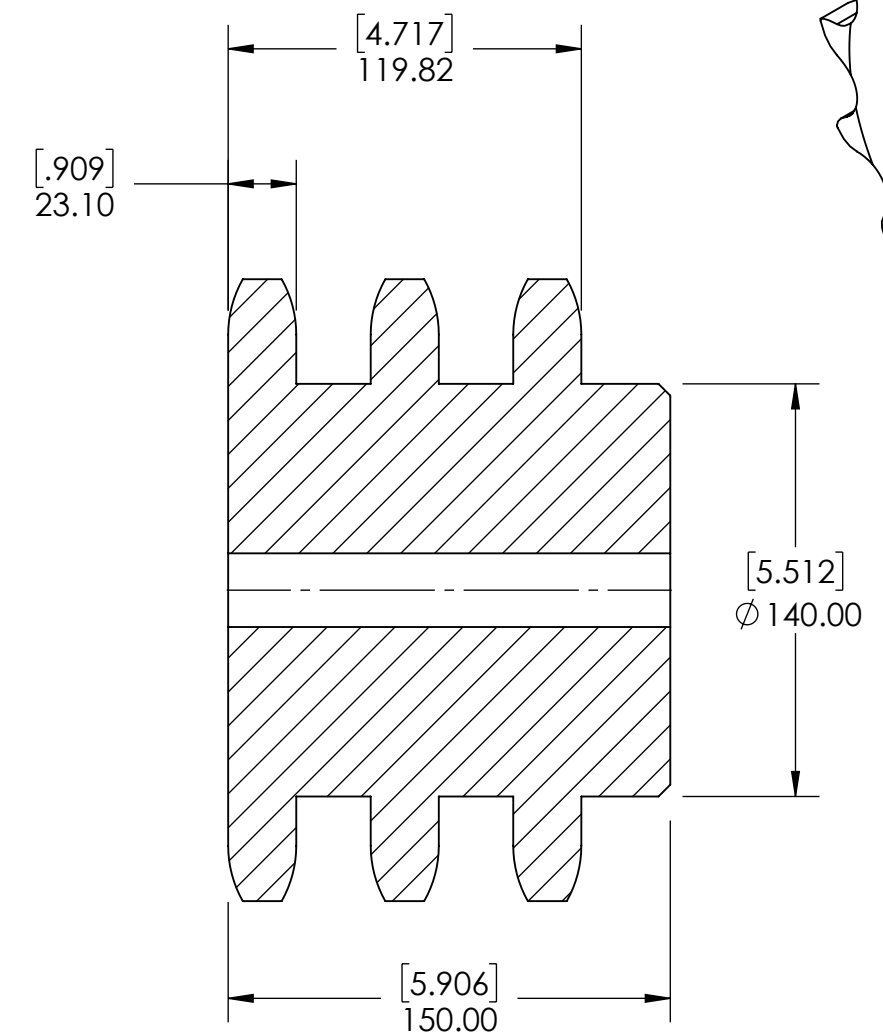
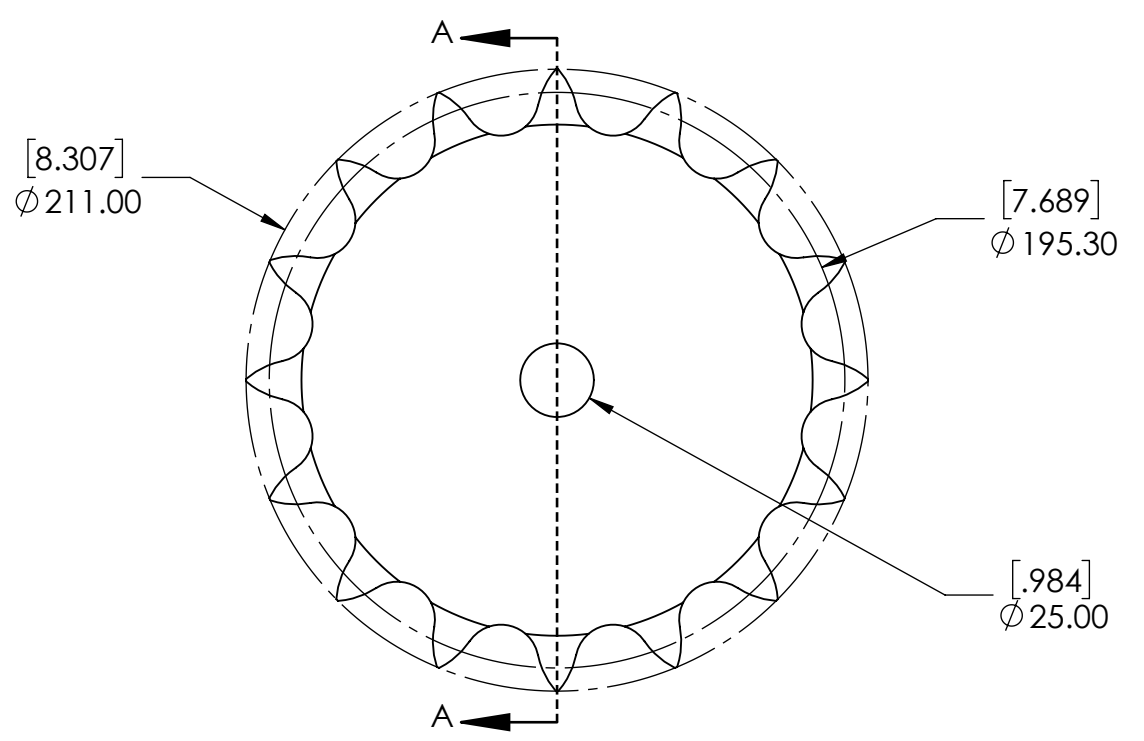


9 8 7 6 5 4 3 2 1

G
F
E
D
C
B
A

G
F
E
D
C
B
A



SECTION A-A

SPROCKETS SPECIFICATIONS		WEIGHT		51.82 LBS	
UNITS	mm (INCH)	MATERIAL	STEEL		
CHAIN SIZE	24B	COATING	BLACK OXIDE		
PITCH	38.10 mm	DRAWN	SEC	08/04/2025	
INNER WIDTH	25.40 mm	CHECKED	SEC	08/04/2025	
ROLLER DIA.	25.40 mm	APPROVED	DATE BY REVISION DESCRIPTION		
TOOTH WIDTH	23.10 mm		ITEM DESCRIPTION:		
NUMBER OF TEETH	16		24B-3-16B		
HUB STYLE	B	DWG. NO.		SCALE	
BORE TYPE	PLAIN BORE	PROPRIETARY AND CONFIDENTIAL		1:1	
BUSHING NUMBER	N/A	THE INFORMATION CONTAINED IN THIS DRAWING IS THE SOLE PROPERTY OF SOLVE IMG. ANY REPRODUCTION IN PART OR AS A WHOLE WITHOUT THE WRITTEN PERMISSION OF SOLVE IMG IS PROHIBITED.		REV	
				-	

9 8 7 6 5 4 3 2 1