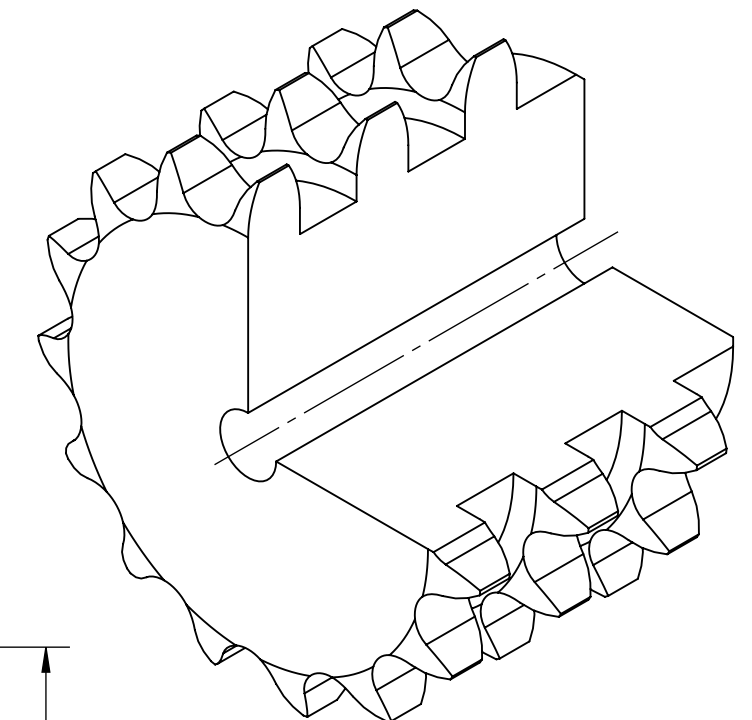
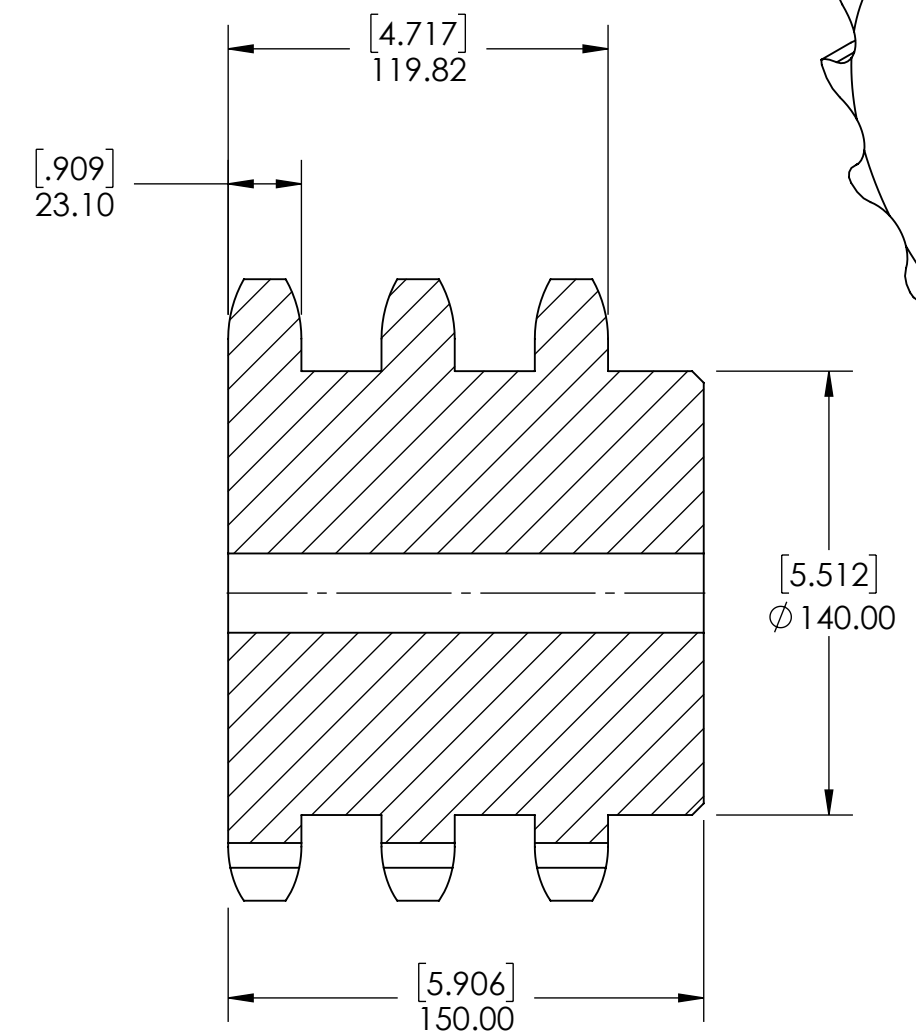
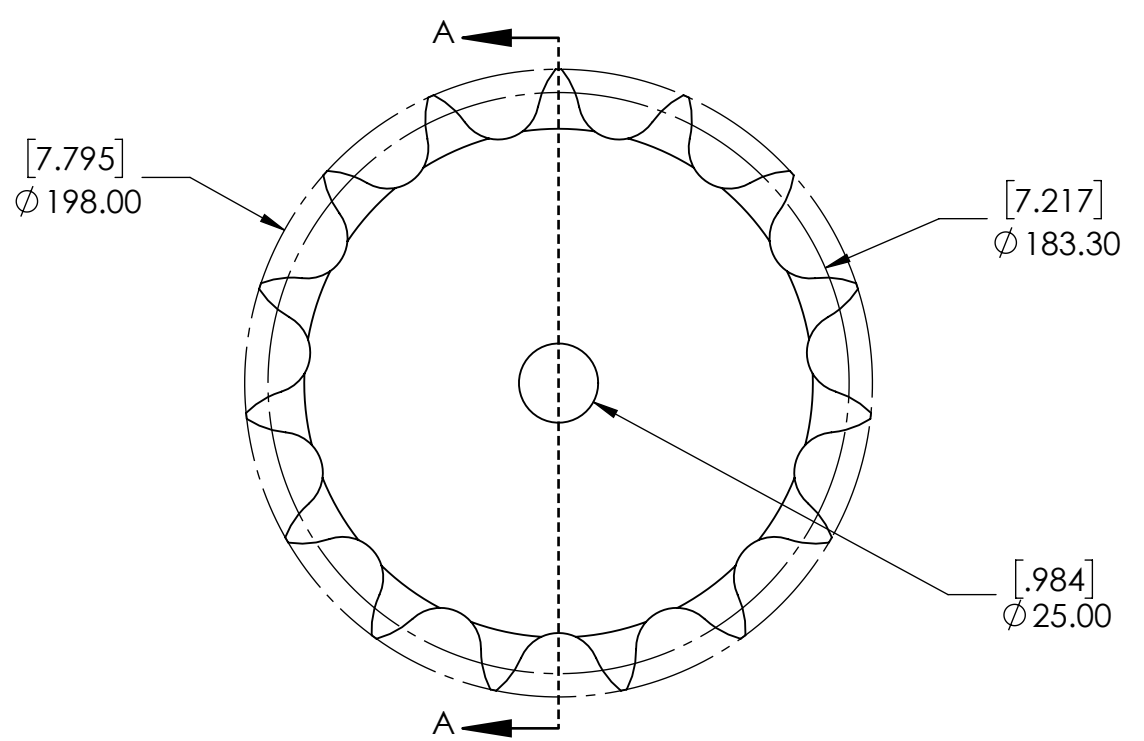


9 8 7 6 5 4 3 2 1

G
F
E
D
C
B
A

G
F
E
D
C
B
A



SECTION A-A

| SPROCKETS SPECIFICATIONS | | WEIGHT | | DATE | | BY | | REVISION DESCRIPTION | | REV |
|--------------------------|------------|-------------|--|--|--|-------------------|--|----------------------|--|--------------|
| UNITS | mm (INCH) | 47.80 LBS | | | | | | | | |
| CHAIN SIZE | 24B | STEEL | | | | | | | | |
| PITCH | 38.10 mm | BLACK OXIDE | | 08/04/2025 | | | | | | |
| INNER WIDTH | 25.40 mm | DRAWN | | SEC | | | | | | |
| ROLLER DIA. | 25.40 mm | CHECKED | | SEC | | | | | | |
| TOOTH WIDTH | 23.10 mm | APPROVED | | | | | | | | |
| NUMBER OF TEETH | 15 | | | | | | | | | |
| HUB STYLE | B | | | | | | | | | |
| BORE TYPE | PLAIN BORE | DWG. NO. | | | | | | | | |
| BUSHING NUMBER | N/A | | | PROPRIETARY AND CONFIDENTIAL <small>THE INFORMATION CONTAINED IN THIS DRAWING IS THE SOLE PROPERTY OF SOLVE IMG. ANY REPRODUCTION IN PART OR AS A WHOLE WITHOUT THE WRITTEN PERMISSION OF SOLVE IMG IS PROHIBITED.</small> | | ITEM DESCRIPTION: | | 24B-3-15B | | SCALE 1:1 |
| | | | | | | | | | | REV - |

9 8 7 6 5 4 3 2 1