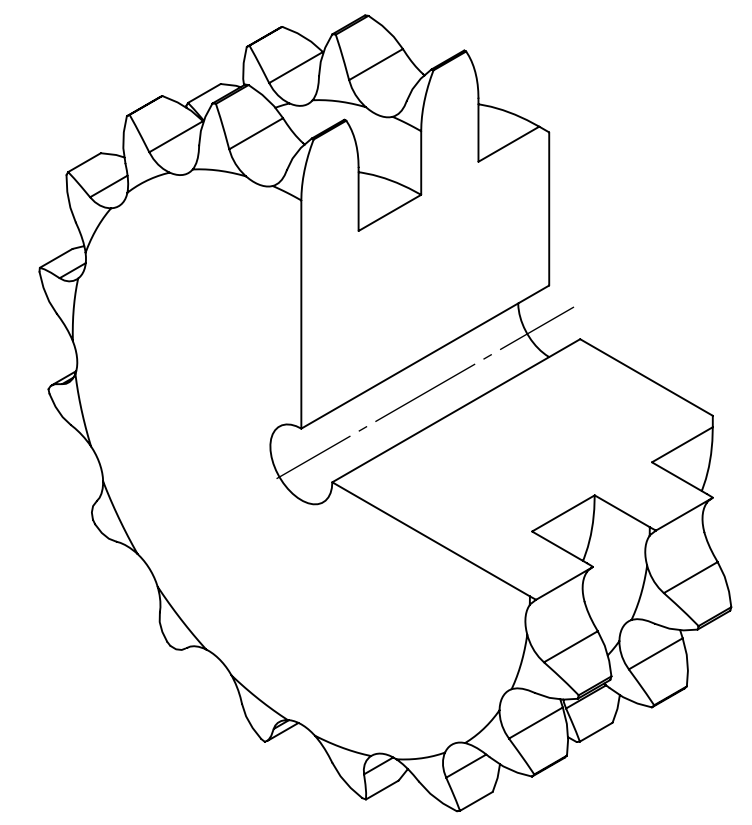
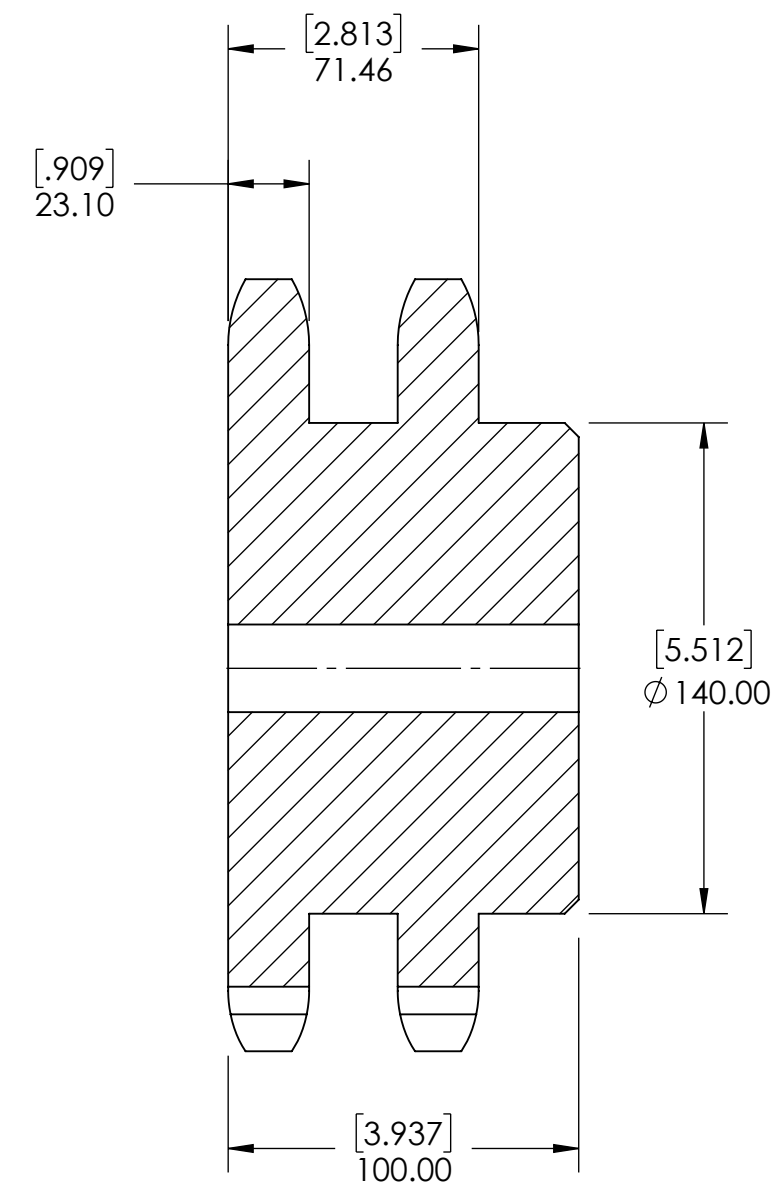
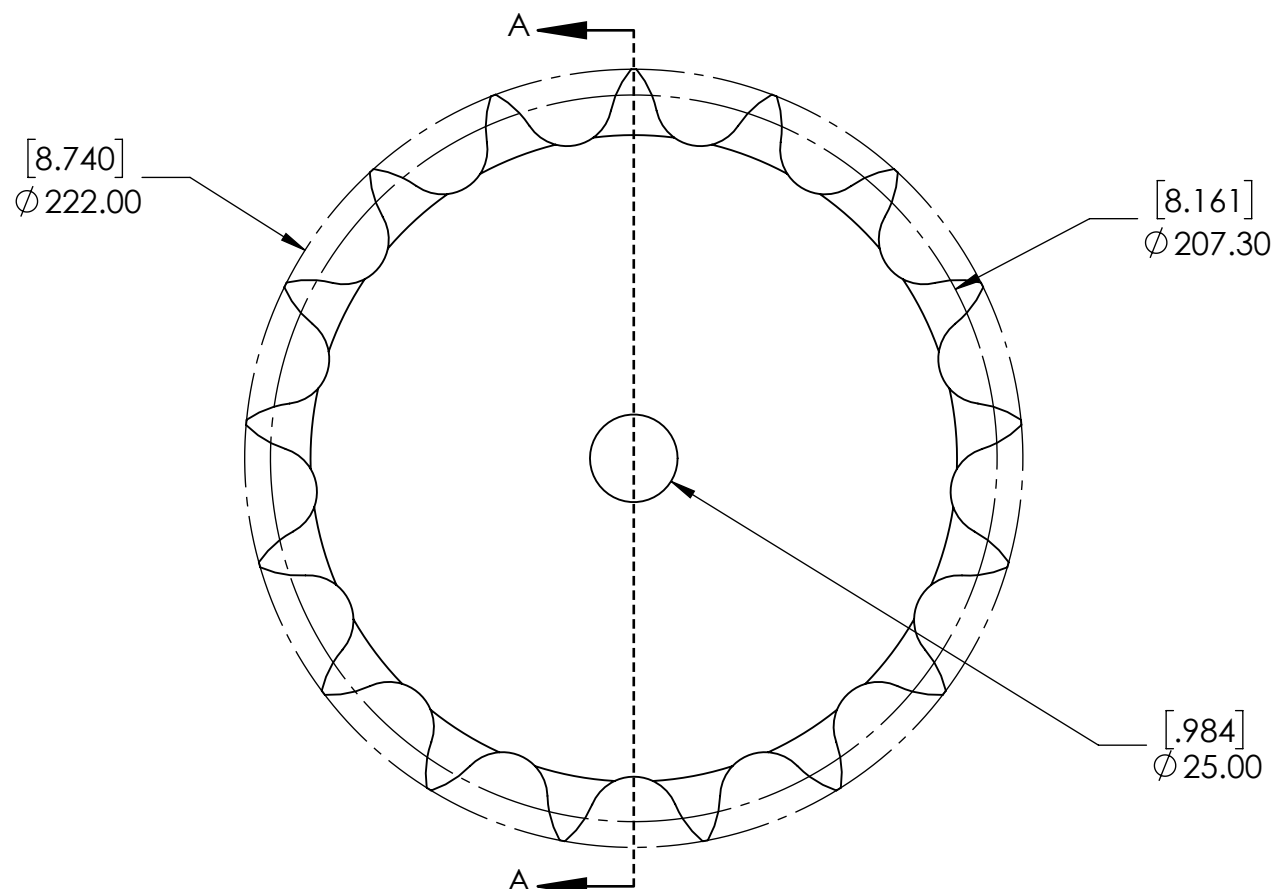


9 8 7 6 5 4 3 2 1

G F E D C B A



SECTION A-A

SPROCKETS SPECIFICATIONS		WEIGHT		DATE		BY		REVISION DESCRIPTION		REV
UNITS	mm (INCH)	37.34 LBS								SCALE
CHAIN SIZE	24B	MATERIAL	STEEL							1:1
PITCH	38.10 mm	COATING	BLACK OXIDE							REV
INNER WIDTH	25.40 mm	DRAWN	SEC 08/04/2025							-
ROLLER DIA.	25.40 mm	CHECKED	SEC 08/04/2025							
TOOTH WIDTH	23.10 mm	APPROVED								
NUMBER OF TEETH	17									
HUB STYLE	B									
BORE TYPE	PLAIN BORE	DWG. NO.				ITEM DESCRIPTION: 24B-2-17B				
BUSHING NUMBER	N/A									

9 8 7 6 5 4 3 2 1

A