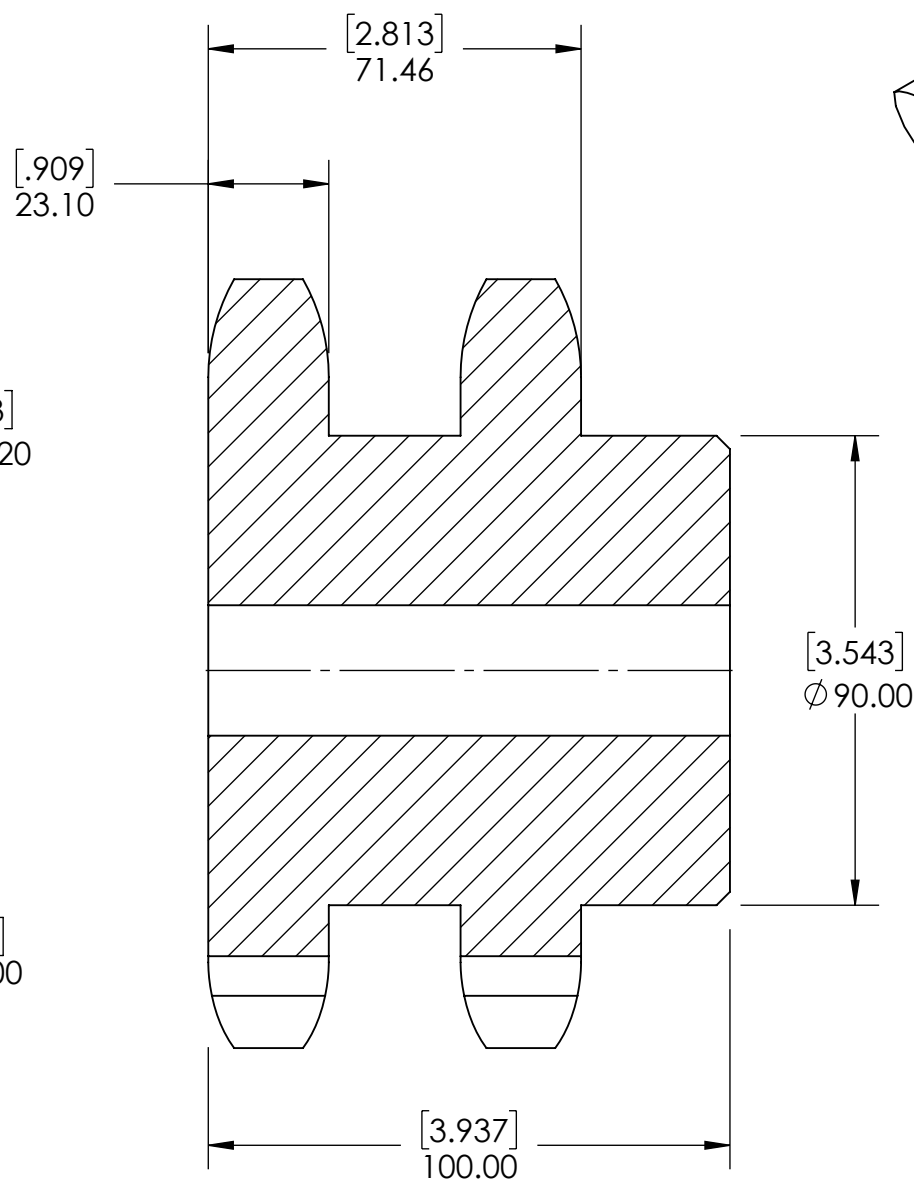
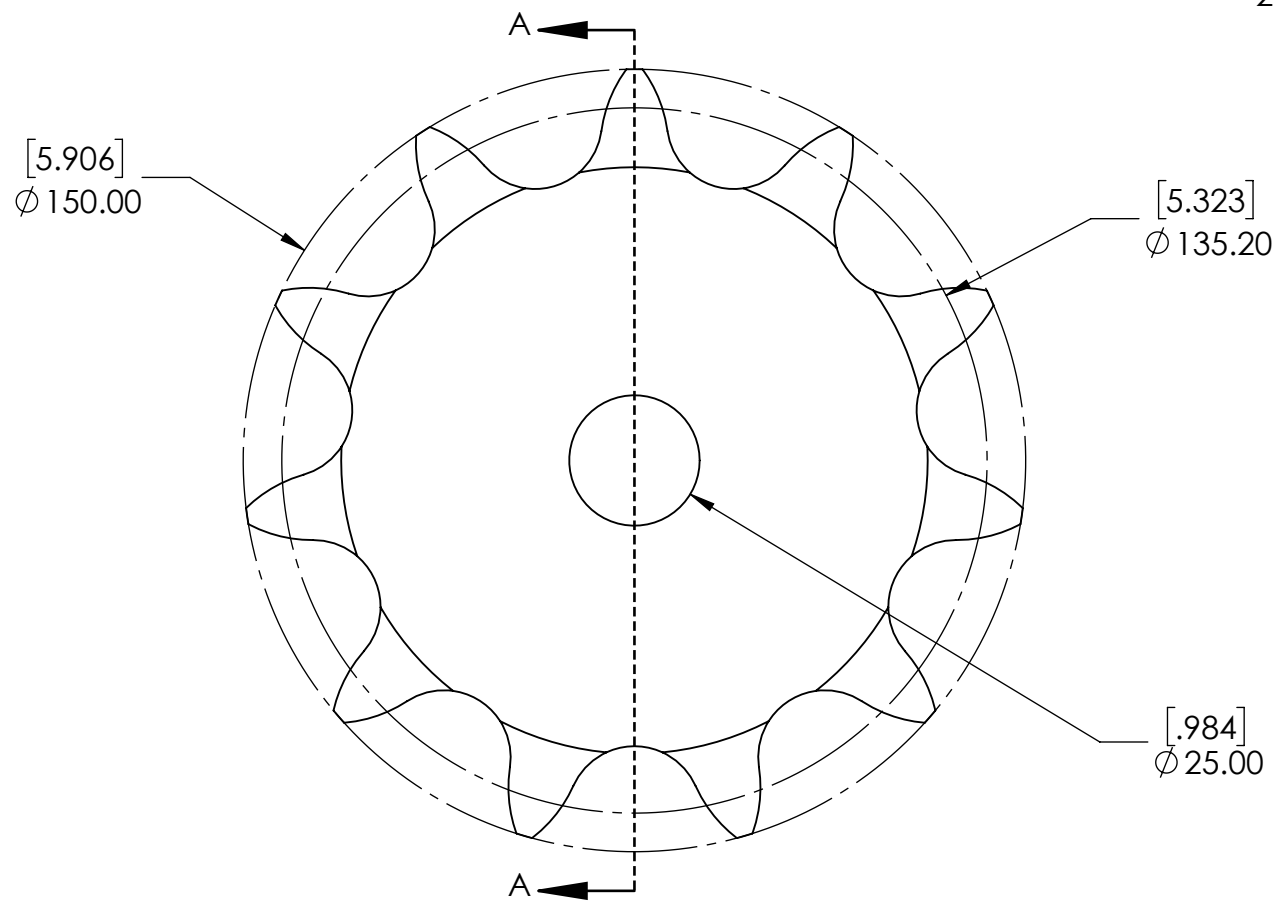


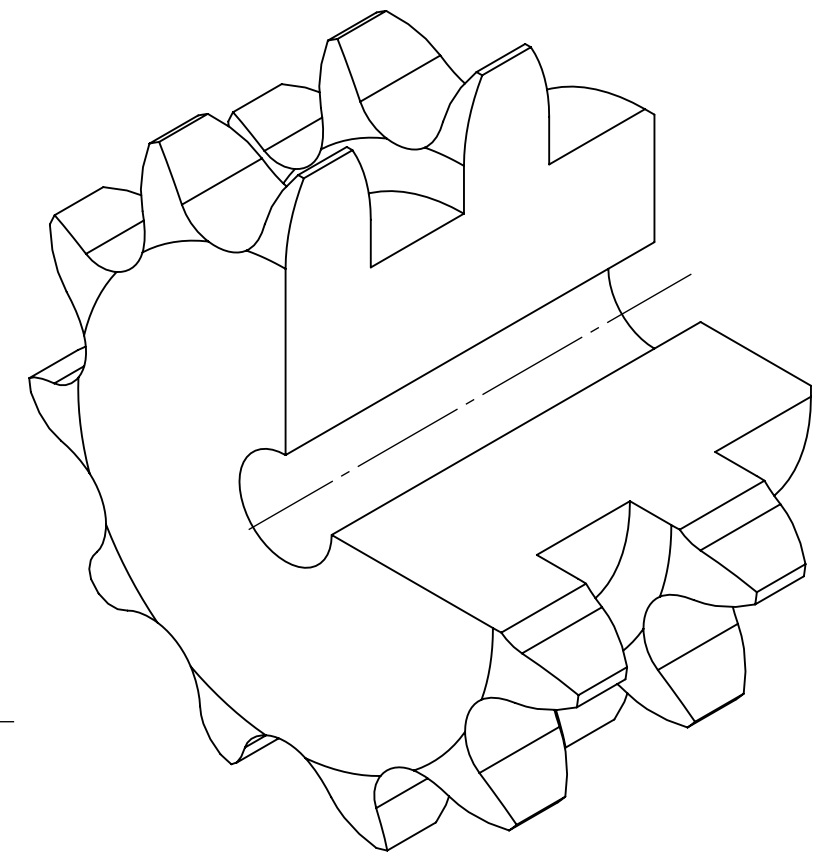
9 8 7 6 5 4 3 2 1

G  
F  
E  
D  
C  
B  
A

G  
F  
E  
D  
C  
B  
A



SECTION A-A



SPROCKETS SPECIFICATIONS		WEIGHT		DATE		BY		REVISION DESCRIPTION		REV
UNITS	mm (INCH)	14.63 LBS								
CHAIN SIZE	24B	MATERIAL	STEEL							
PITCH	38.10 mm	COATING	BLACK OXIDE							
INNER WIDTH	25.40 mm	DRAWN	SEC 08/04/2025							
ROLLER DIA.	25.40 mm	CHECKED	SEC 08/04/2025							
TOOTH WIDTH	23.10 mm	APPROVED								
NUMBER OF TEETH	11									
HUB STYLE	B									
BORE TYPE	PLAIN BORE	DWG. NO.								
BUSHING NUMBER	N/A			<small>PROPRIETARY AND CONFIDENTIAL</small> <small>THE INFORMATION CONTAINED IN THIS DRAWING IS THE SOLE PROPERTY OF SOLVE IMG. ANY REPRODUCTION IN PART OR AS A WHOLE WITHOUT THE WRITTEN PERMISSION OF SOLVE IMG IS PROHIBITED.</small>		ITEM DESCRIPTION:		24B-2-11B		SCALE
										1:1
										-

9 8 7 6 5 4 3 2 1