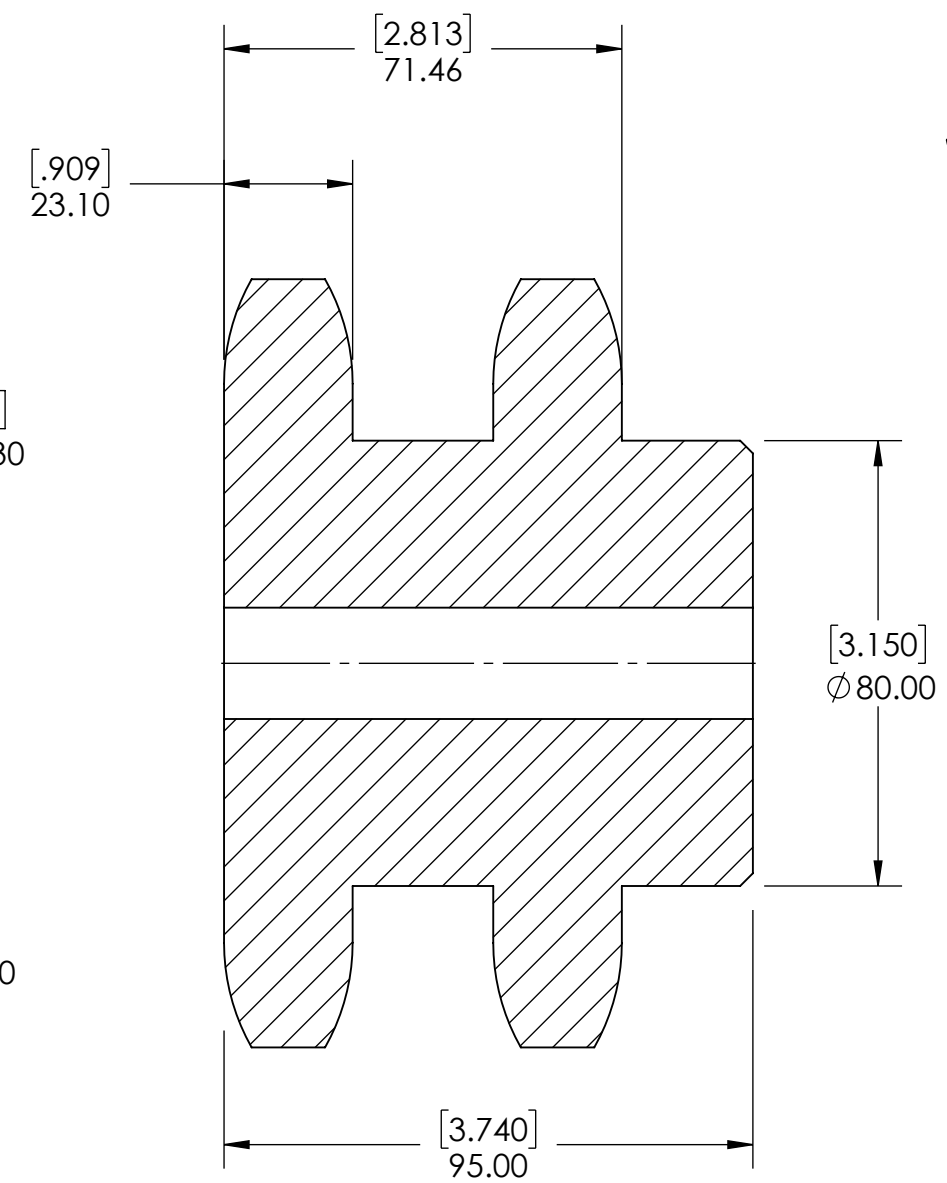
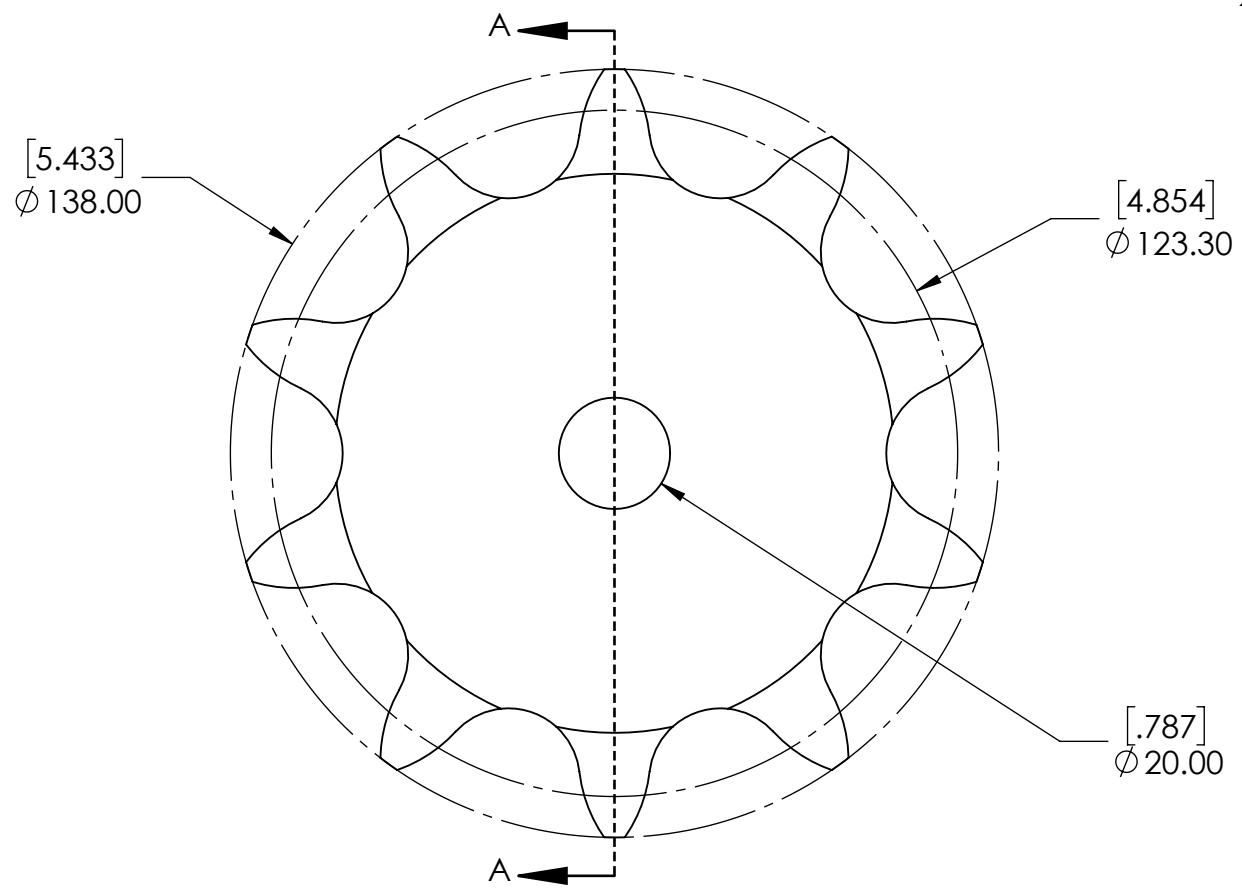
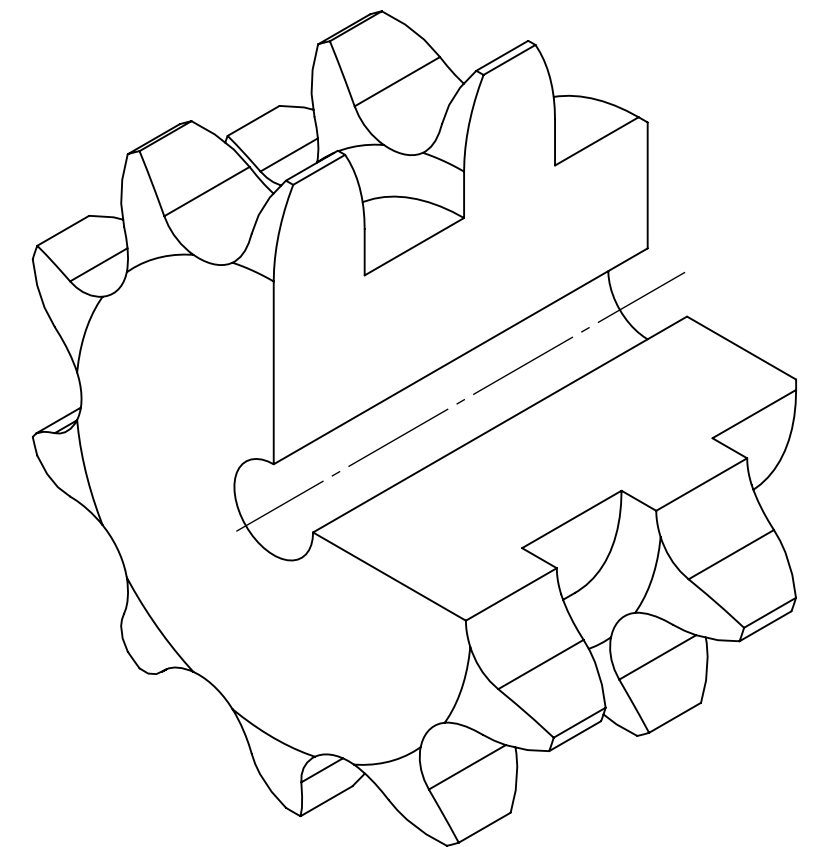


9 8 7 6 5 4 3 2 1

G F E D C B A



SECTION A-A



A B C D E F G

9 8 7 6 5 4 3 2 1

SPROCKETS SPECIFICATIONS		WEIGHT		11.55 LBS	
UNITS	mm (INCH)	MATERIAL	STEEL		
CHAIN SIZE	24B	COATING	BLACK OXIDE		
PITCH	38.10 mm	DRAWN	SEC	08/04/2025	
INNER WIDTH	25.40 mm	CHECKED	SEC	08/04/2025	
ROLLER DIA.	25.40 mm	APPROVED			
TOOTH WIDTH	23.10 mm		DATE	BY	REVISION DESCRIPTION
NUMBER OF TEETH	10		ITEM DESCRIPTION:		
HUB STYLE	B	<b>24B-2-10B</b>			SCALE
BORE TYPE	PLAIN BORE				1:1
BUSHING NUMBER	N/A				REV
		DWG. NO.		-	



PROPRIETARY AND CONFIDENTIAL  
 THE INFORMATION CONTAINED IN THIS DRAWING IS THE SOLE PROPERTY OF SOLVE IMG. ANY REPRODUCTION IN PART OR AS A WHOLE WITHOUT THE WRITTEN PERMISSION OF SOLVE IMG IS PROHIBITED.