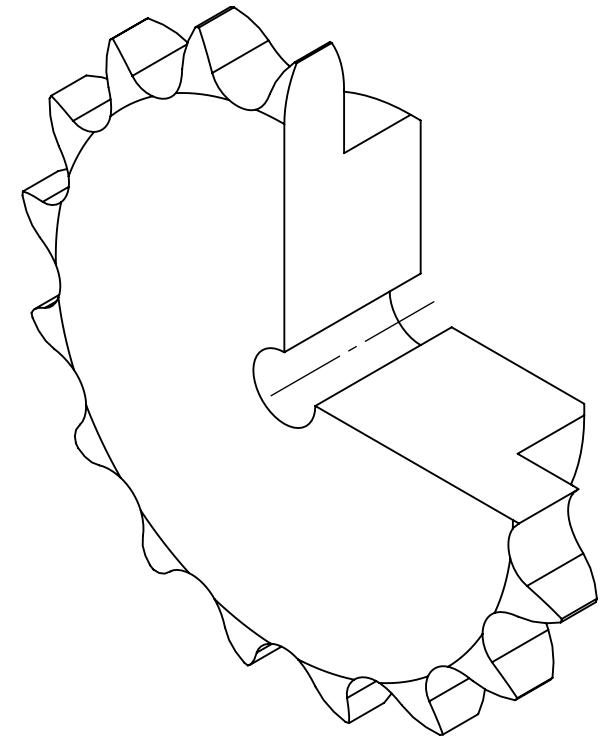
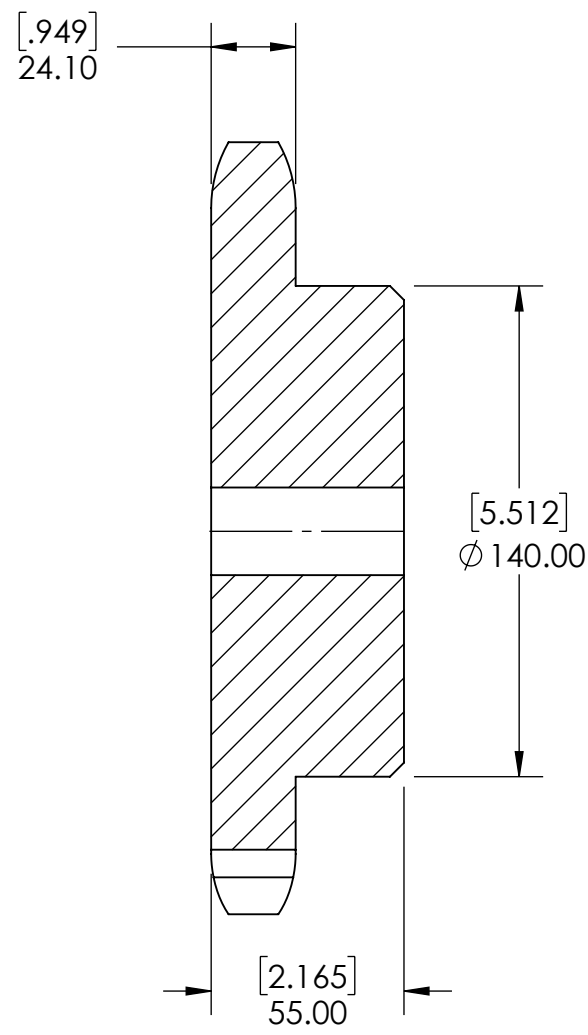
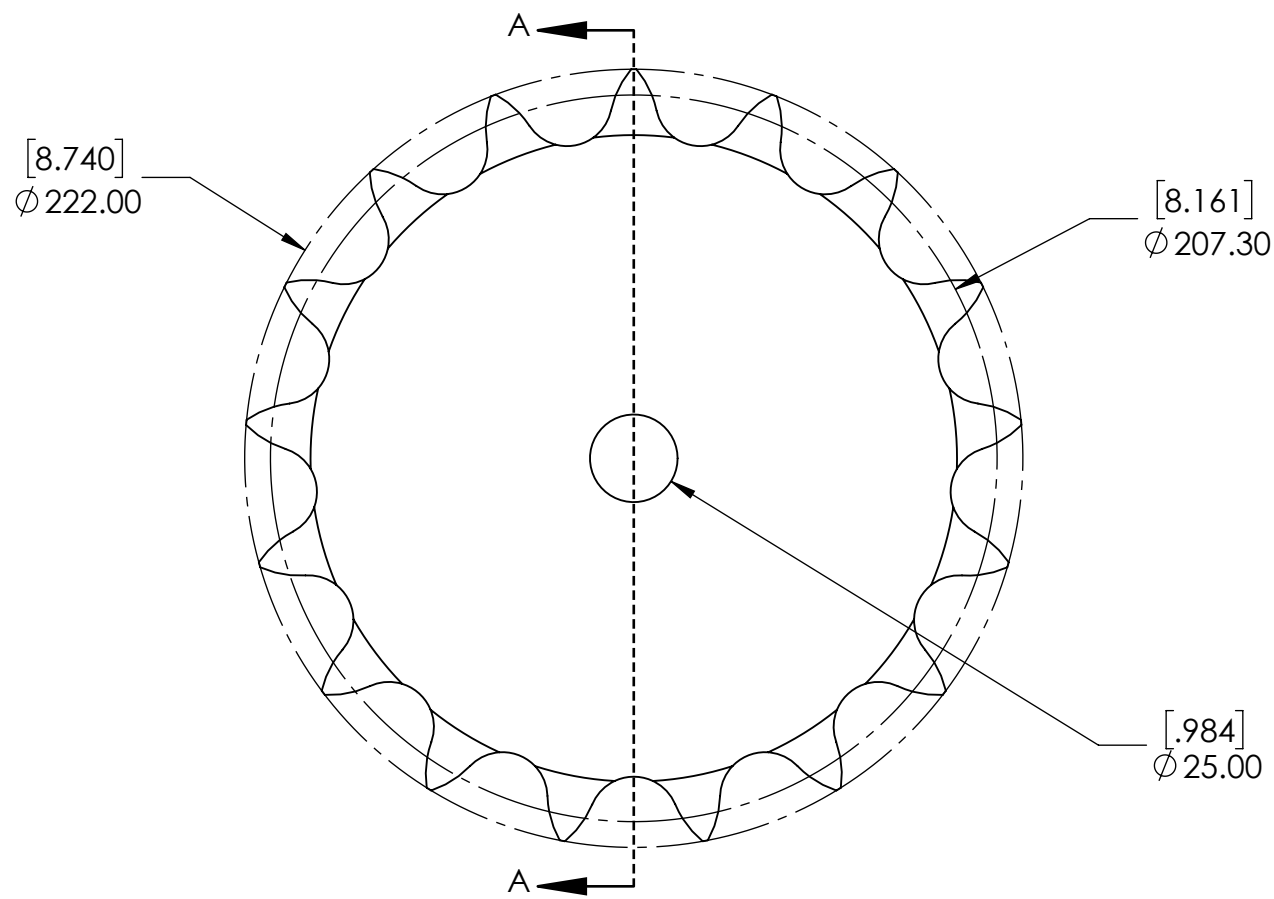


9 8 7 6 5 4 3 2 1

G
F
E
D
C
B
A

G
F
E
D
C
B
A



SECTION A-A

SPROCKETS SPECIFICATIONS		WEIGHT		DATE		BY		REVISION DESCRIPTION		REV
UNITS	mm (INCH)	20.19 LBS								
CHAIN SIZE	24B	MATERIAL	STEEL							
PITCH	38.10 mm	COATING	BLACK OXIDE	07/21/2025						
INNER WIDTH	25.40 mm	DRAWN	SEC							
ROLLER DIA.	25.40 mm	CHECKED								
TOOTH WIDTH	24.10 mm	APPROVED								
NUMBER OF TEETH	17			ITEM DESCRIPTION:						SCALE
HUB STYLE	B			24B-17B						1:1
BORE TYPE	PLAIN BORE	DWG. NO.		DATE		BY		REVISION DESCRIPTION		REV
BUSHING NUMBER	N/A	B PTI								-
		<small>PROPRIETARY AND CONFIDENTIAL</small> <small>THE INFORMATION CONTAINED IN THIS DRAWING IS THE SOLE PROPERTY OF SOLVE IMG. ANY REPRODUCTION IN PART OR AS A WHOLE WITHOUT THE WRITTEN PERMISSION OF SOLVE IMG IS PROHIBITED.</small>								

9 8 7 6 5 4 3 2 1