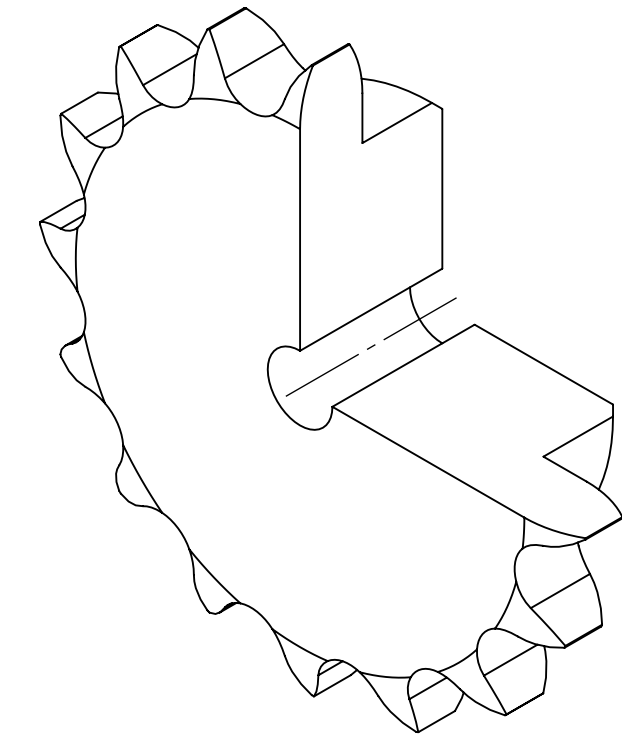
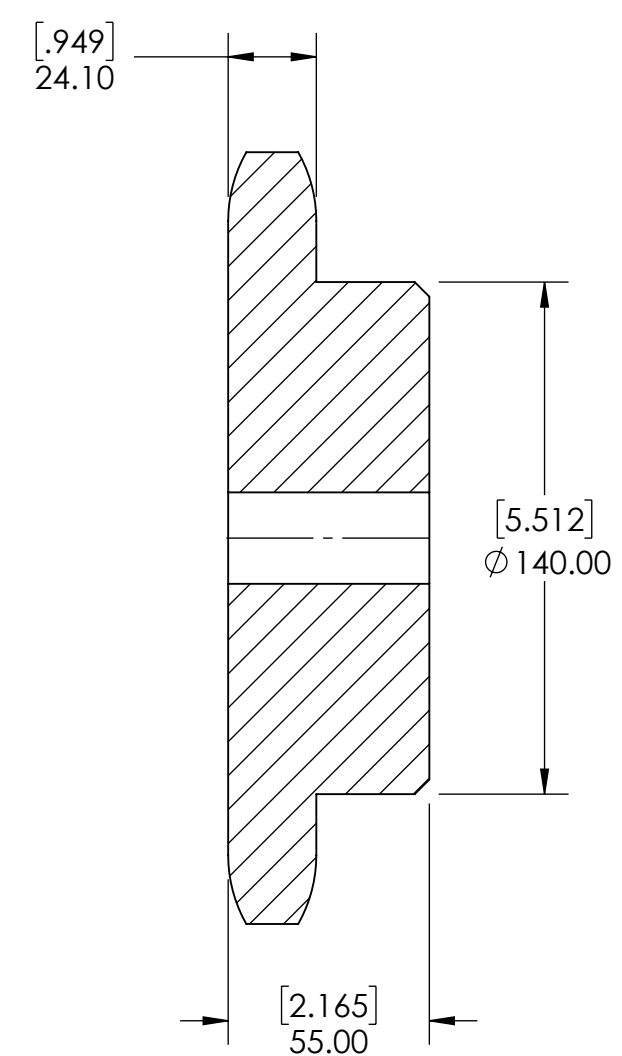
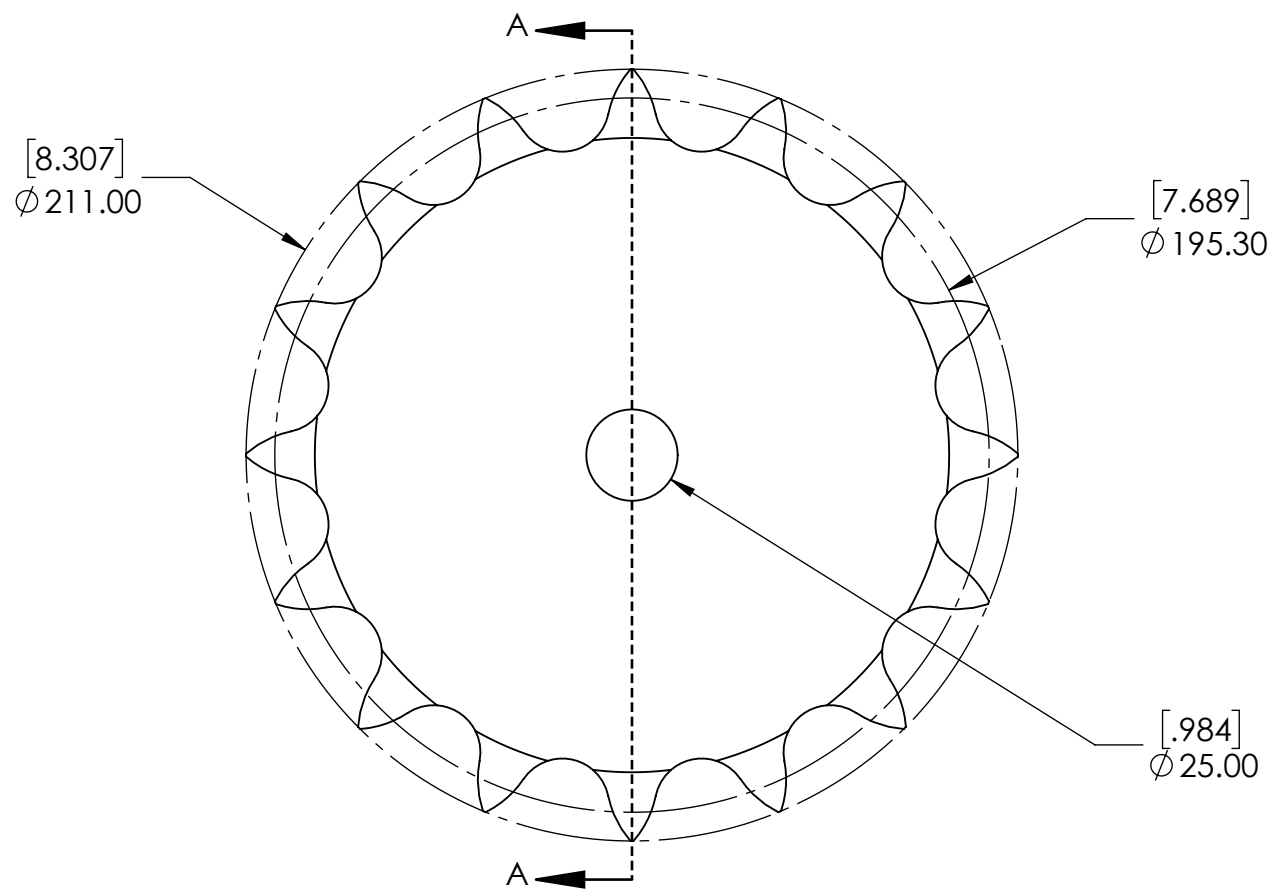


9 8 7 6 5 4 3 2 1

G
F
E
D
C
B
A

G
F
E
D
C
B
A



SECTION A-A

SPROCKETS SPECIFICATIONS		WEIGHT		DATE		BY		REVISION DESCRIPTION		REV
UNITS	mm (INCH)	18.72 LBS								
CHAIN SIZE	24B	STEEL								
PITCH	38.10 mm	BLACK OXIDE		DRAWN		SEC		07/21/2025		
INNER WIDTH	25.40 mm			CHECKED		PT		07/25/2025		
ROLLER DIA.	25.40 mm			APPROVED						
TOOTH WIDTH	24.10 mm							ITEM DESCRIPTION:		SCALE
NUMBER OF TEETH	16									DATE
HUB STYLE	B			DWG. NO.		24B-16B				1:1
BORE TYPE	PLAIN BORE			PROPRIETARY AND CONFIDENTIAL THE INFORMATION CONTAINED IN THIS DRAWING IS THE SOLE PROPERTY OF SOLVE IMG. ANY REPRODUCTION IN PART OR AS A WHOLE WITHOUT THE WRITTEN PERMISSION OF SOLVE IMG IS PROHIBITED.						-
BUSHING NUMBER	N/A									

9 8 7 6 5 4 3 2 1