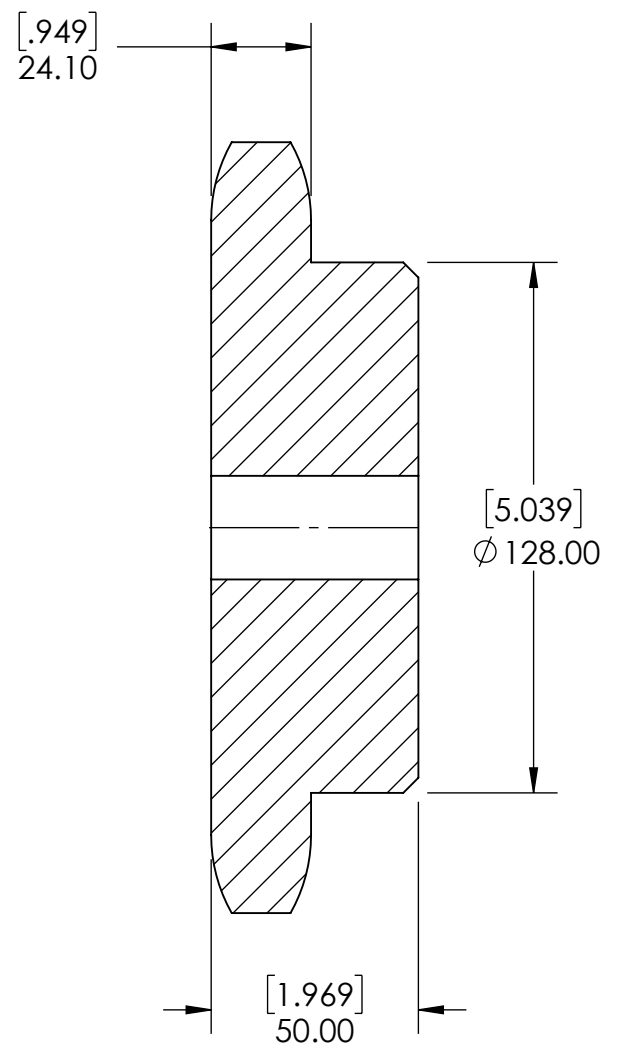
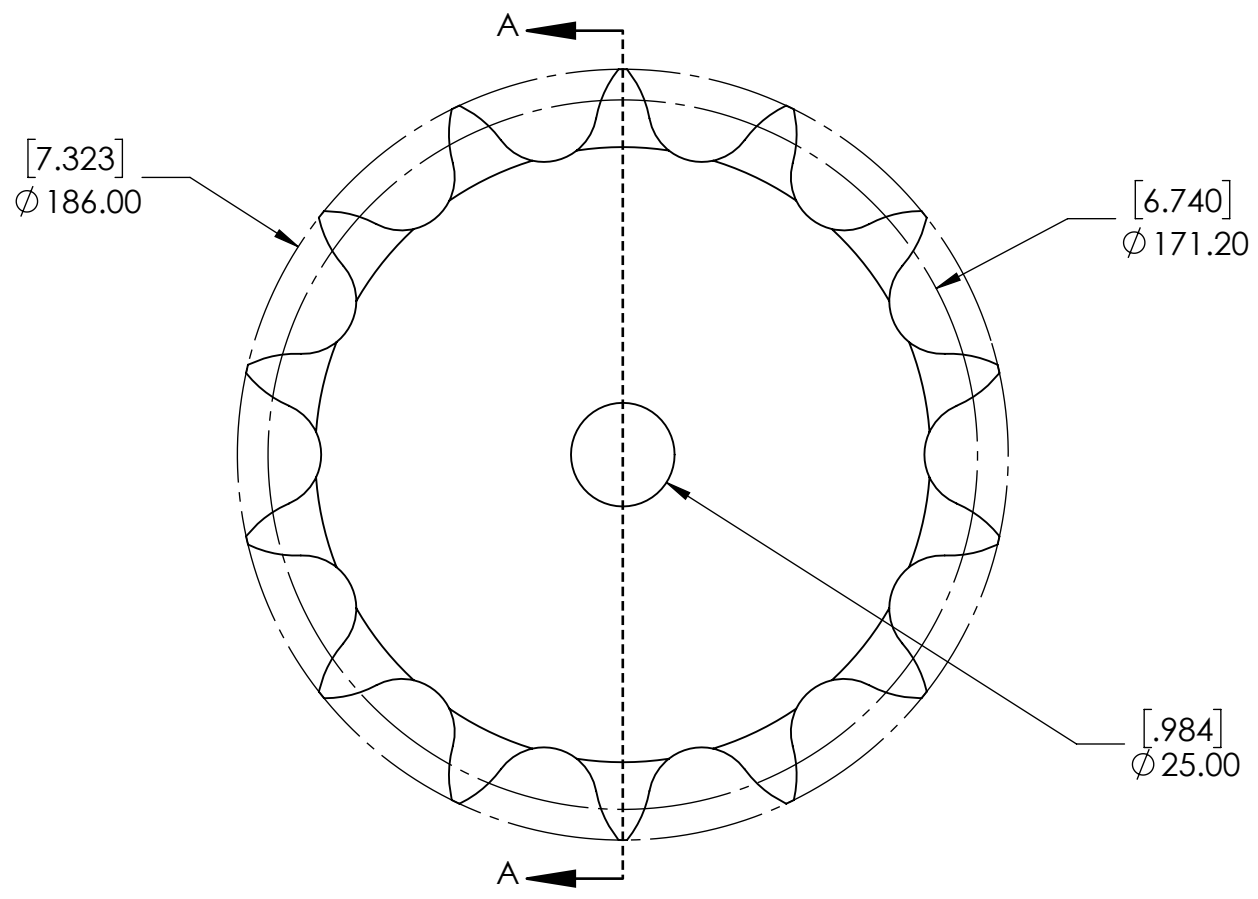


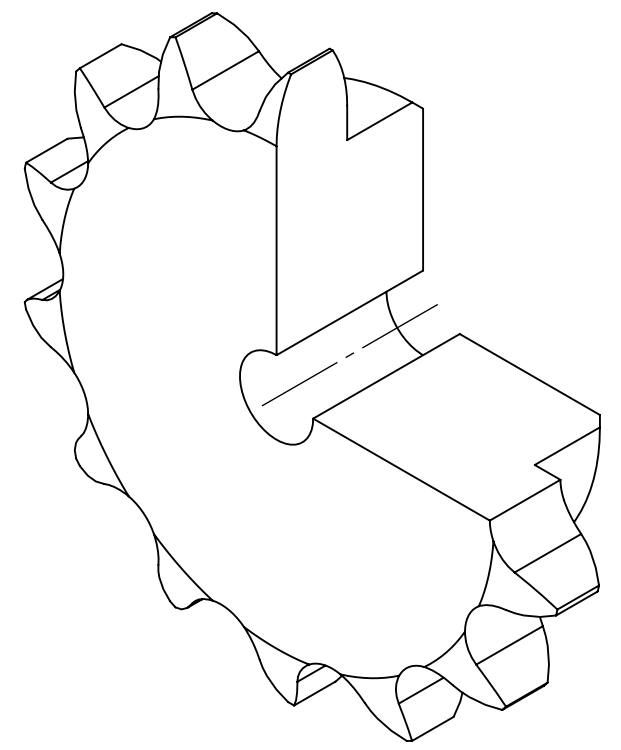
9 8 7 6 5 4 3 2 1

G  
F  
E  
D  
C  
B  
A

G  
F  
E  
D  
C  
B  
A



SECTION A-A



SPROCKETS SPECIFICATIONS		WEIGHT		DATE		BY		REVISION DESCRIPTION		REV
UNITS	mm (INCH)	13.61 LBS								
CHAIN SIZE	24B	MATERIAL	STEEL							
PITCH	38.10 mm	COATING	BLACK OXIDE							
INNER WIDTH	25.40 mm	DRAWN	SEC	07/21/2025						
ROLLER DIA.	25.40 mm	CHECKED	PT	07/25/2025						
TOOTH WIDTH	24.10 mm	APPROVED								
NUMBER OF TEETH	14					ITEM DESCRIPTION:		24B-14B		SCALE
HUB STYLE	B									DATE
BORE TYPE	PLAIN BORE	DWG. NO.		PROPRIETARY AND CONFIDENTIAL						REV
BUSHING NUMBER	N/A			<small>THE INFORMATION CONTAINED IN THIS DRAWING IS THE SOLE PROPERTY OF SOLVE IMG. ANY REPRODUCTION IN PART OR AS A WHOLE WITHOUT THE WRITTEN PERMISSION OF SOLVE IMG IS PROHIBITED.</small>						-

9 8 7 6 5 4 3 2 1