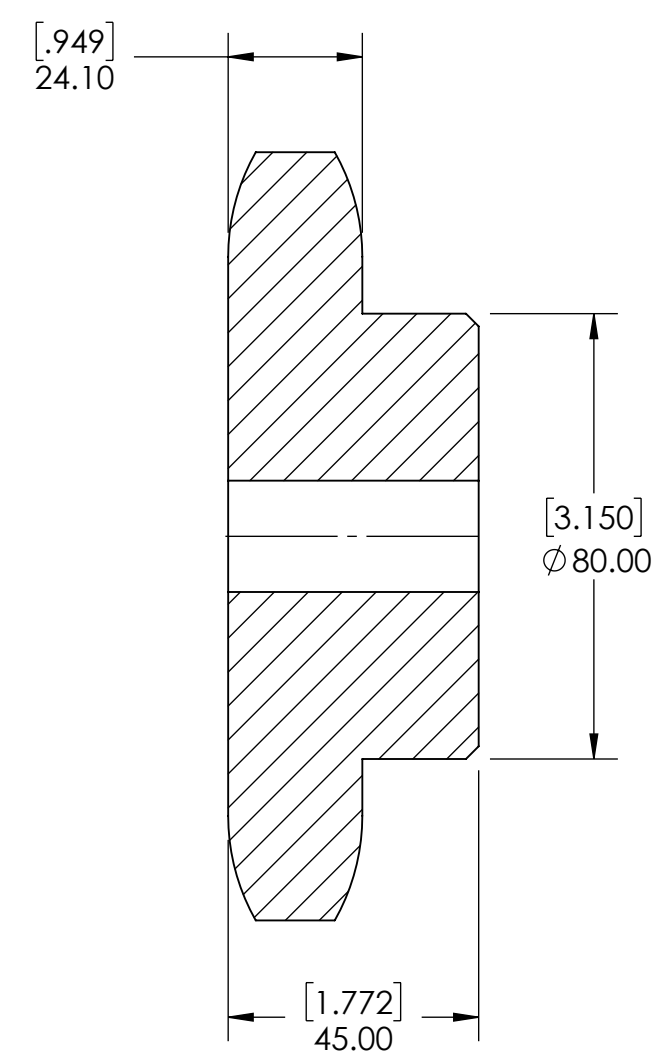
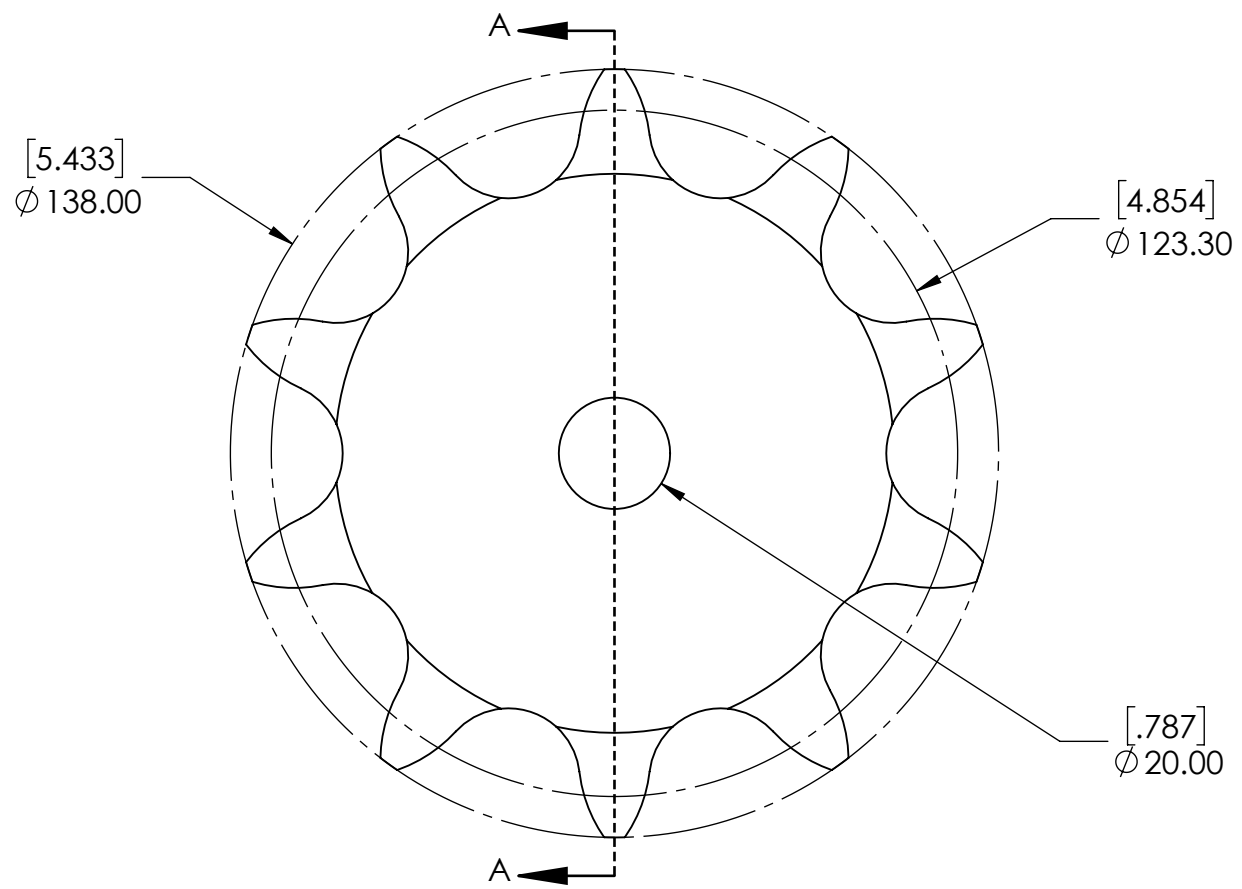


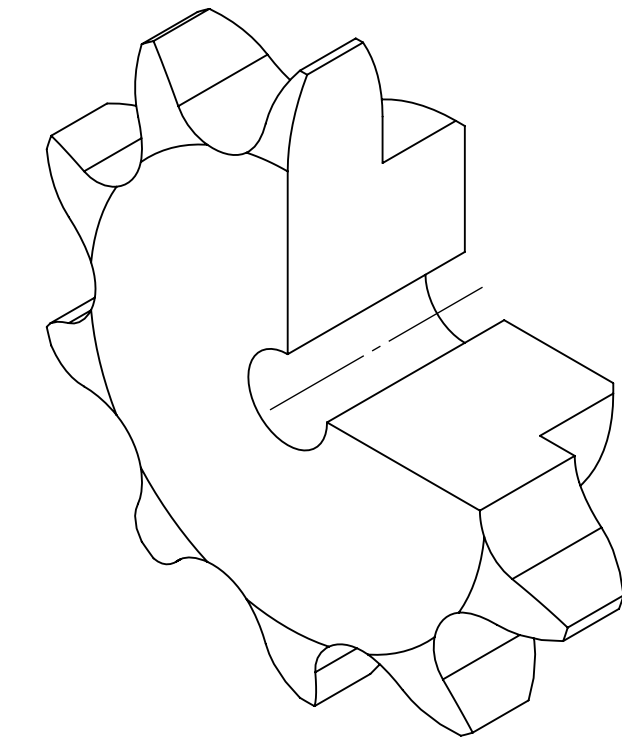
9 8 7 6 5 4 3 2 1

G  
F  
E  
D  
C  
B  
A

G  
F  
E  
D  
C  
B  
A



SECTION A-A



SPROCKETS SPECIFICATIONS		WEIGHT		5.65 LBS					
UNITS	mm (INCH)	MATERIAL	STEEL						
CHAIN SIZE	24B	COATING	BLACK OXIDE						
PITCH	38.10 mm	DRAWN	SEC	07/21/2025					
INNER WIDTH	25.40 mm	CHECKED	PT	07/25/2025					
ROLLER DIA.	25.40 mm	APPROVED				DATE	BY	REVISION DESCRIPTION	
TOOTH WIDTH	24.10 mm					ITEM DESCRIPTION:			
NUMBER OF TEETH	10					24B-10B			
HUB STYLE	B								REV
BORE TYPE	PLAIN BORE								1:1
BUSHING NUMBER	N/A								-

9 8 7 6 5 4 3 2 1



DWG. NO. PROPRIETARY AND CONFIDENTIAL  
THE INFORMATION CONTAINED IN THIS DRAWING IS THE SOLE PROPERTY OF SOLVE IMG. ANY REPRODUCTION IN PART OR AS A WHOLE WITHOUT THE WRITTEN PERMISSION OF SOLVE IMG IS PROHIBITED.