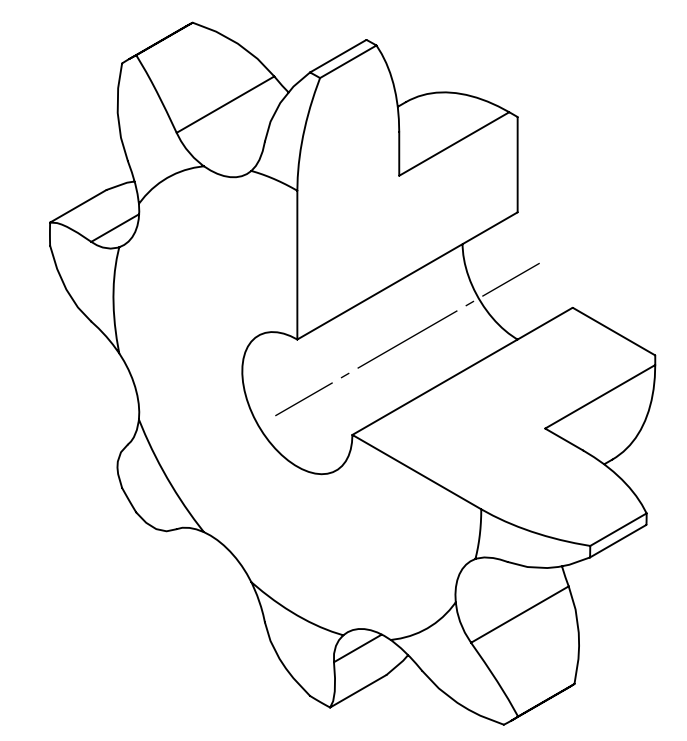
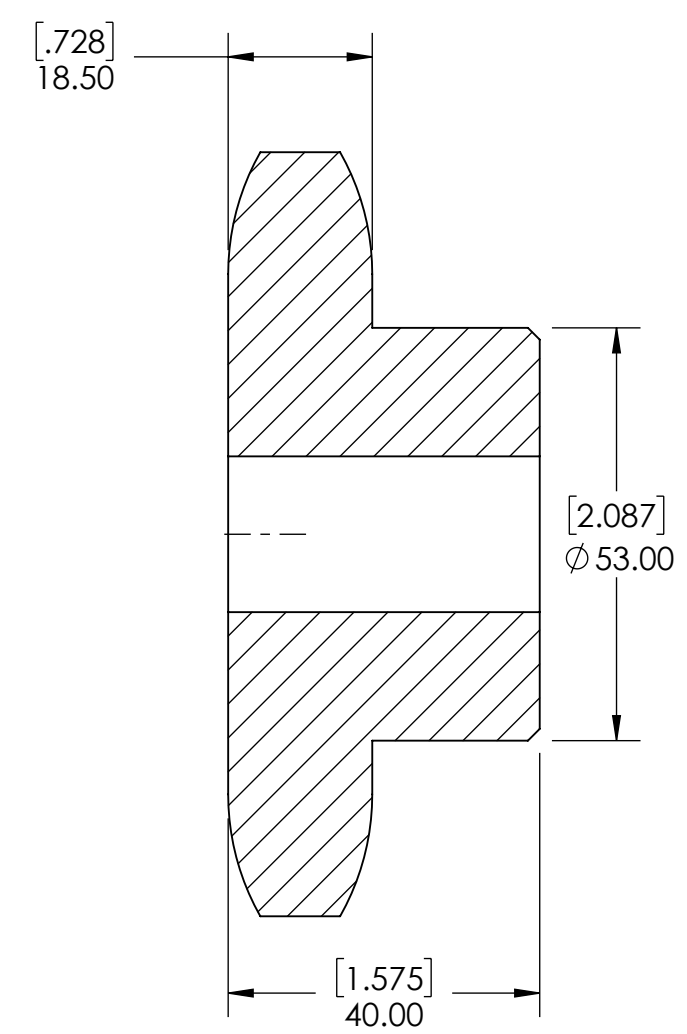
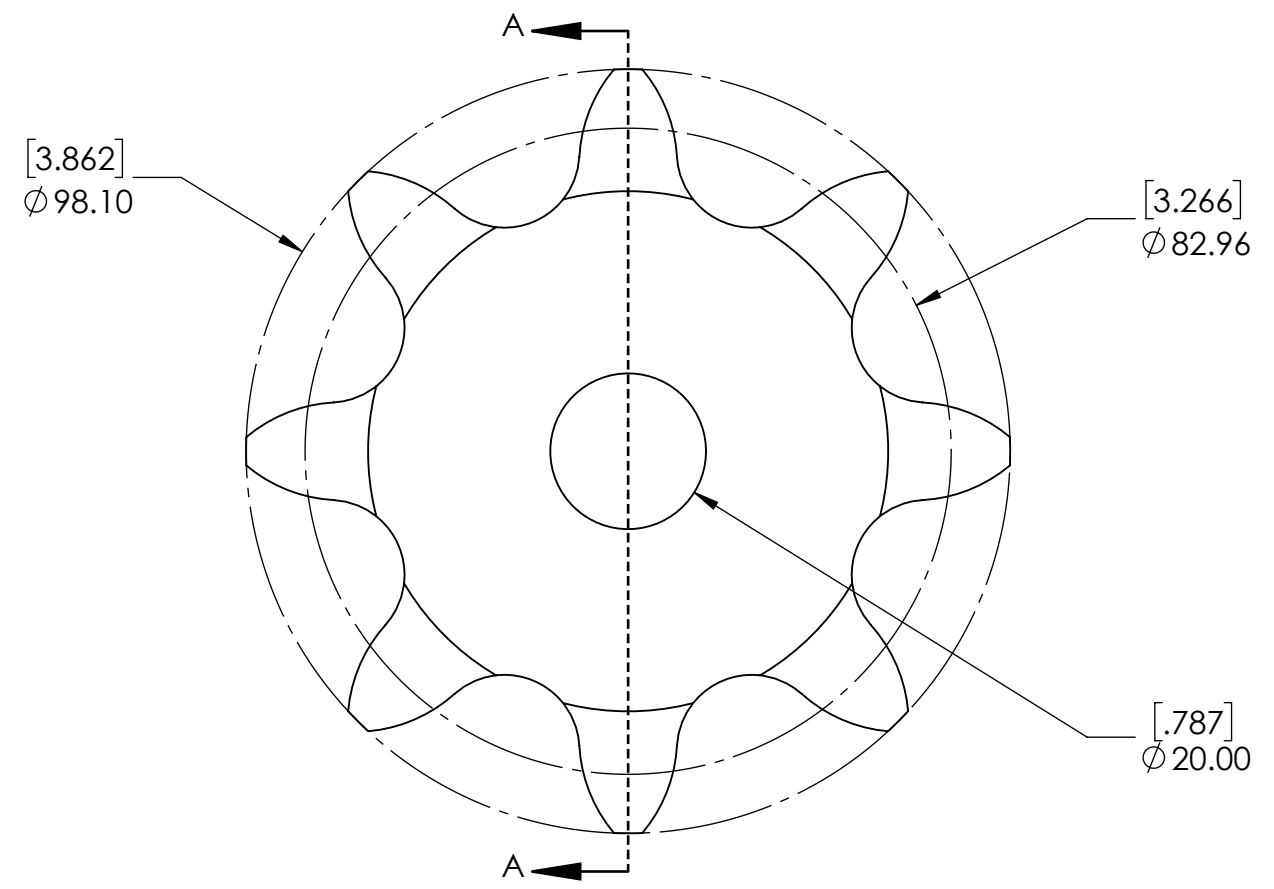


9 8 7 6 5 4 3 2 1

G
F
E
D
C
B
A

G
F
E
D
C
B
A



SECTION A-A

SPROCKETS SPECIFICATIONS		WEIGHT		DATE		BY		REVISION DESCRIPTION		REV
UNITS	mm (INCH)	2.09 LBS								
CHAIN SIZE	20B	STEEL								
PITCH	31.75 mm	BLACK OXIDE		07/21/2025						
INNER WIDTH	19.56 mm	DRAWN		EG		07/25/2025				
ROLLER DIA.	19.05 mm	CHECKED		EG						
TOOTH WIDTH	18.50 mm	APPROVED								
NUMBER OF TEETH	8	THIRD ANGLE PROJECTION								
HUB STYLE	B	DWG. NO.								
BORE TYPE	PLAIN BORE	PTI		PROPRIETARY AND CONFIDENTIAL						
BUSHING NUMBER	N/A	SIZE		THE INFORMATION CONTAINED IN THIS DRAWING IS THE SOLE PROPERTY OF SOLVE IMG. ANY REPRODUCTION IN PART OR AS A WHOLE WITHOUT THE WRITTEN PERMISSION OF SOLVE IMG IS PROHIBITED.						
				ITEM DESCRIPTION:		20B-8B		SCALE		1:1
								REV		-

9 8 7 6 5 4 3 2 1