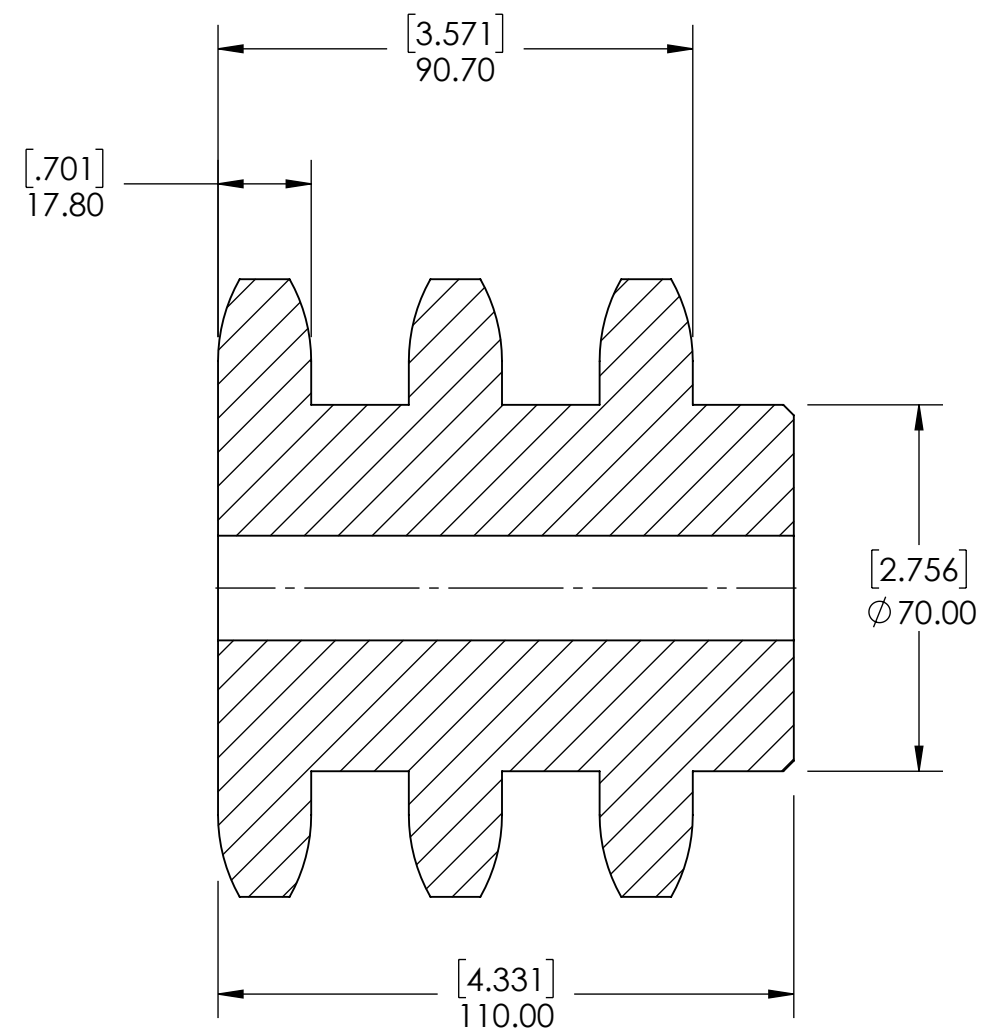
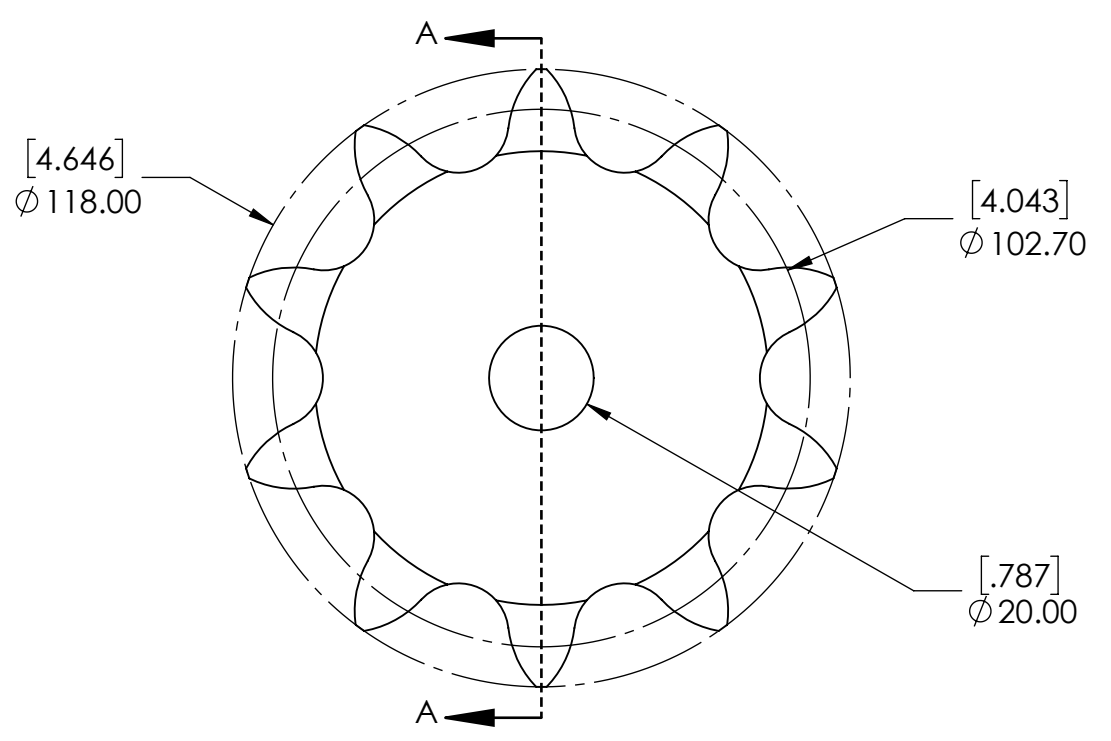


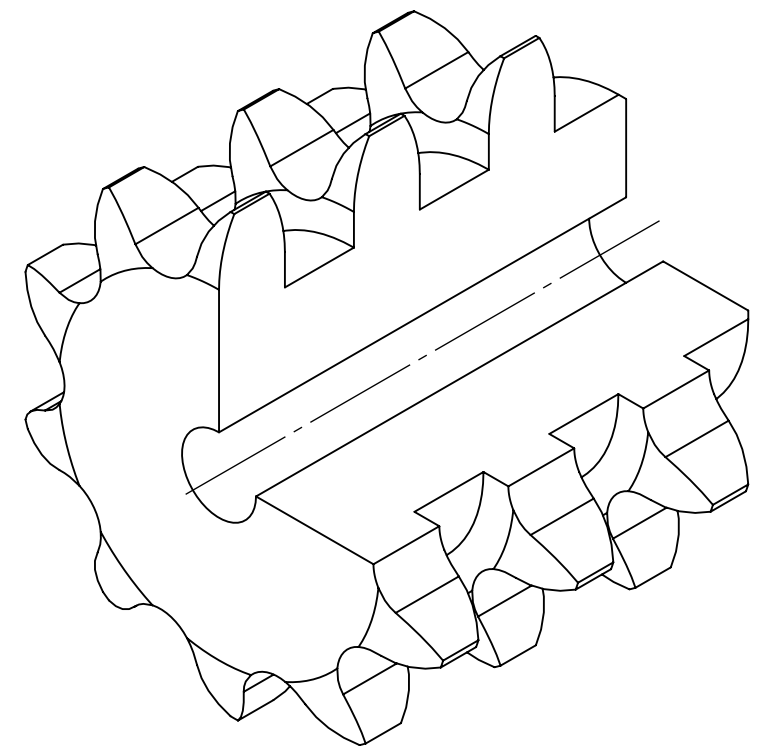
9 8 7 6 5 4 3 2 1

G
F
E
D
C
B
A

G
F
E
D
C
B
A



SECTION A-A



SPROCKETS SPECIFICATIONS		WEIGHT		DATE		BY		REVISION DESCRIPTION		REV
UNITS	mm (INCH)	9.89 LBS								
CHAIN SIZE	20B	MATERIAL	STEEL							
PITCH	31.75 mm	COATING	BLACK OXIDE	DRAWN	SEC	08/01/2025				
INNER WIDTH	19.56 mm	CHECKED	SEC	08/01/2025						
ROLLER DIA.	19.05 mm	APPROVED								
TOOTH WIDTH	17.80 mm					ITEM DESCRIPTION:		20B-3-10B		SCALE
NUMBER OF TEETH	10									DATE
HUB STYLE	B	DWG. NO.		PROPRIETARY AND CONFIDENTIAL THE INFORMATION CONTAINED IN THIS DRAWING IS THE SOLE PROPERTY OF SOLVE IMG. ANY REPRODUCTION IN PART OR AS A WHOLE WITHOUT THE WRITTEN PERMISSION OF SOLVE IMG IS PROHIBITED.						1:1
BORE TYPE	PLAIN BORE									-
BUSHING NUMBER	N/A									

9 8 7 6 5 4 3 2 1