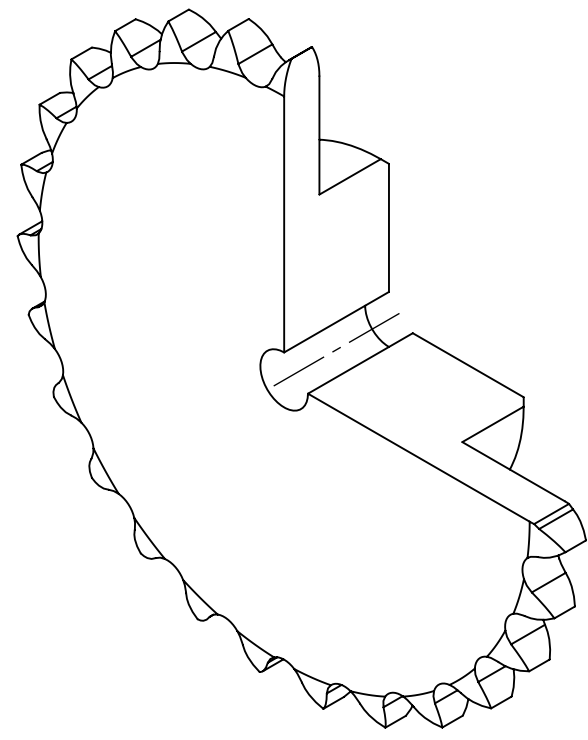
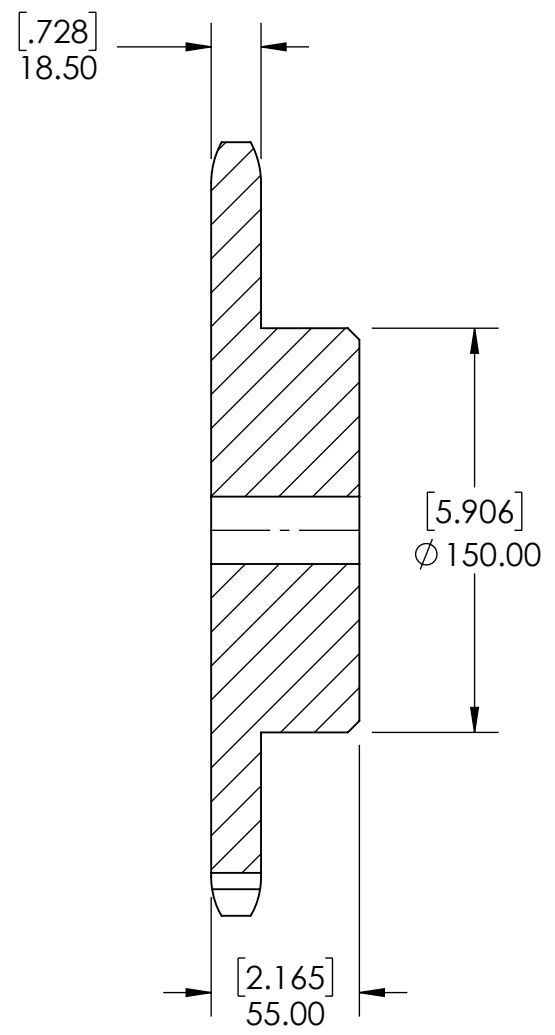
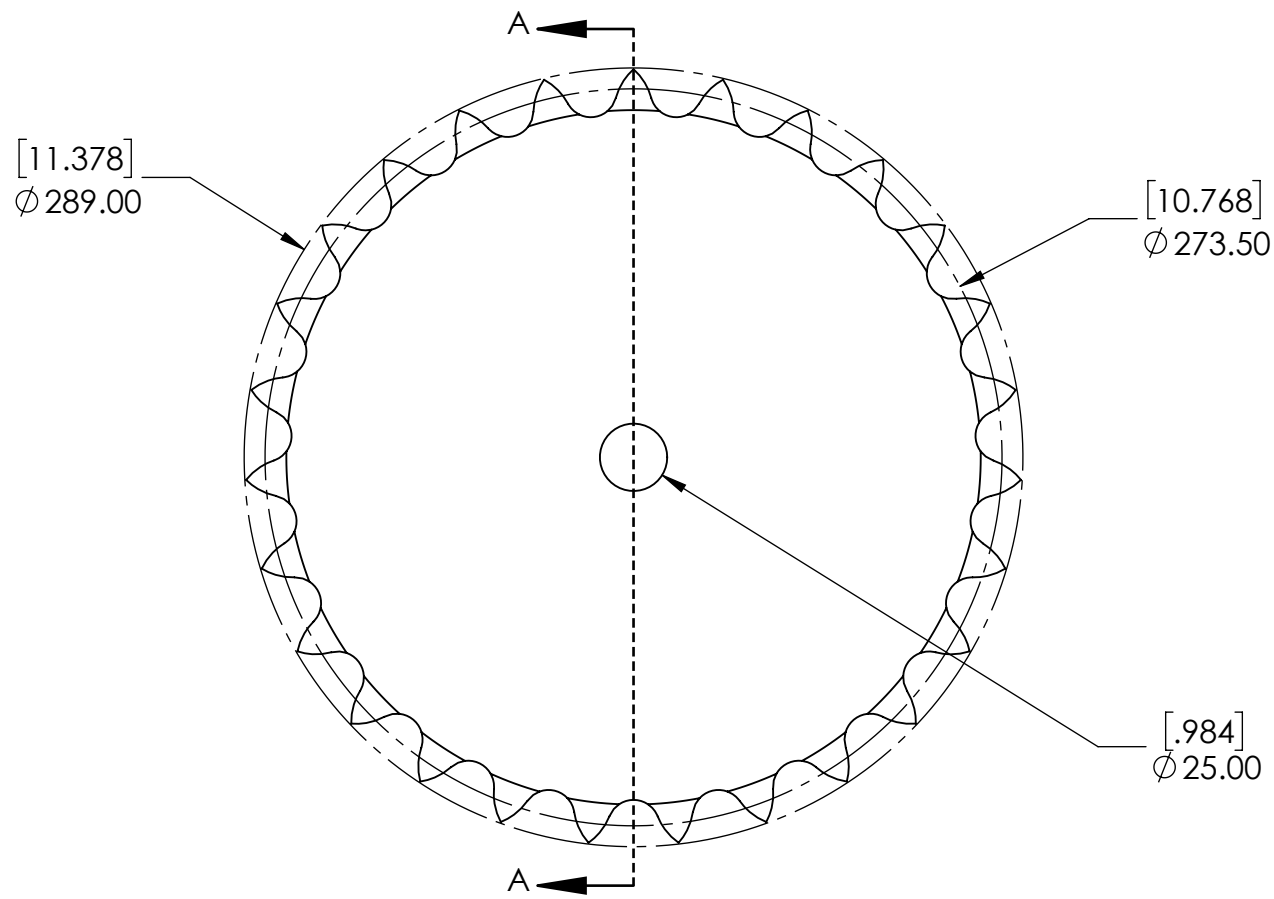


9 8 7 6 5 4 3 2 1

G
F
E
D
C
B
A

G
F
E
D
C
B
A



SECTION A-A

SPROCKETS SPECIFICATIONS		WEIGHT		DATE		BY		REVISION DESCRIPTION		REV
UNITS	mm (INCH)	28.46 LBS								
CHAIN SIZE	20B	MATERIAL	STEEL							
PITCH	31.75 mm	COATING	BLACK OXIDE							
INNER WIDTH	19.56 mm	DRAWN	SEC	07/21/2025						
ROLLER DIA.	19.05 mm	CHECKED	EG	07/24/2025						
TOOTH WIDTH	18.50 mm	APPROVED								
NUMBER OF TEETH	27									
HUB STYLE	B									
BORE TYPE	PLAIN BORE	DWG. NO.								
BUSHING NUMBER	N/A			<small>PROPRIETARY AND CONFIDENTIAL</small> <small>THE INFORMATION CONTAINED IN THIS DRAWING IS THE SOLE PROPERTY OF SOLVE IMG. ANY REPRODUCTION IN PART OR AS A WHOLE WITHOUT THE WRITTEN PERMISSION OF SOLVE IMG IS PROHIBITED.</small>		ITEM DESCRIPTION:		20B-27B		SCALE
										1:1
										-

9 8 7 6 5 4 3 2 1